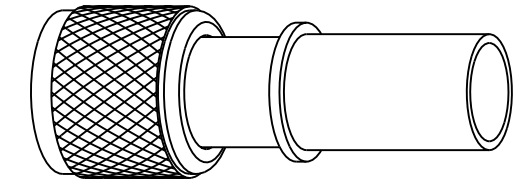


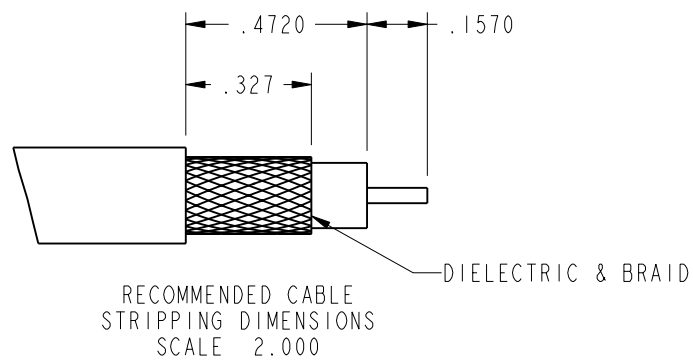
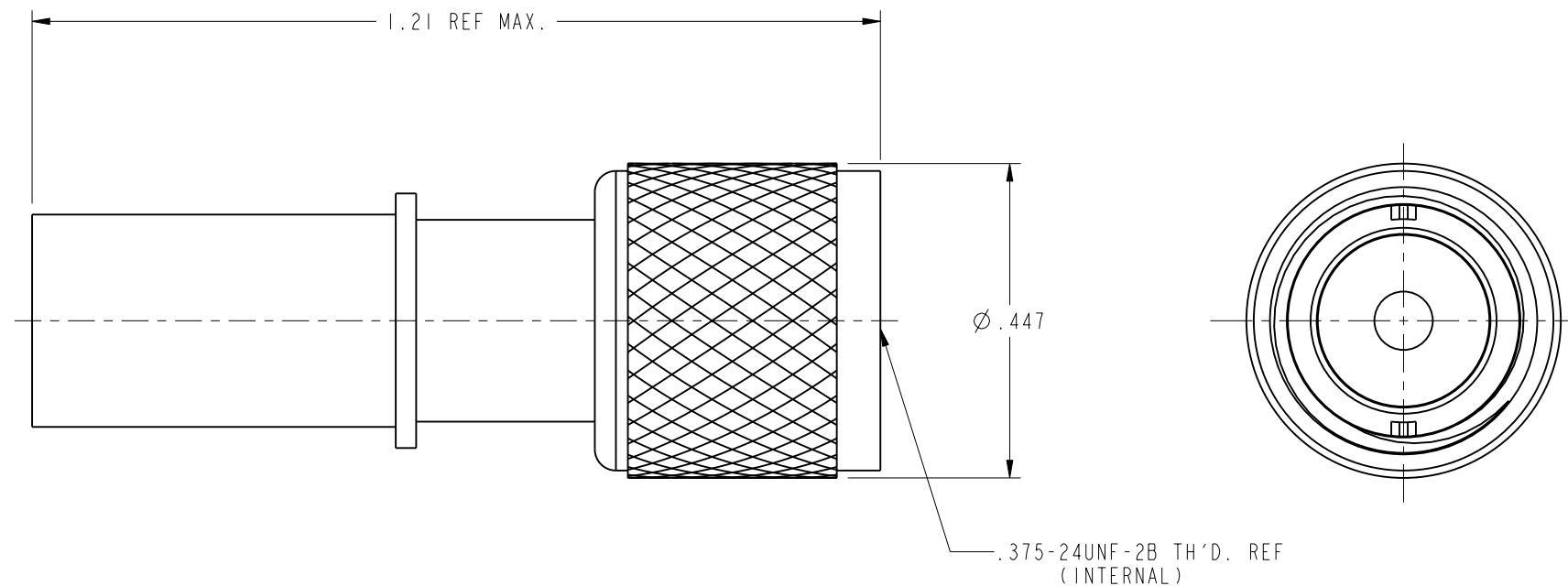
NOTES:

1. MATERIALS OF CONSTRUCTION:
 FERRULE, BODY, SHELL BRASS / NICKEL PL.
 CONTACT PIN BRASS / GOLD PL.
 INSULATOR TEFLON / NATURAL
2. DO NOT SCALE THIS DRAWING
3. UNLESS OTHERWISE SPECIFIED, ALL DIMENSIONS ARE AFTER PLATING
4. FOR STRIPPING & ASSEMBLY INSTRUCTIONS SEE AMPHENOL SPEC. 349-50384

81-114-RFX		REVISIONS			
DRAWING NO.	REV	DESCRIPTION	DATE	ECO	APPR
THIRD ANGLE PROJ.	A	RELEASE TO MFG.	5/20/98	42492	JB/DR
	B	SEE SHEET 1	12/17/98	42779	CPM/



SCALE 2.000



CUSTOMER OUTLINE DRAWING
ALL OTHER SHEETS ARE FOR INTERNAL USE ONLY

UNLESS OTHERWISE SPECIFIED, DIMENSIONS ARE IN INCHES AND TOLERANCES ARE: 2 PLACE DECIMAL ±.015 (0,381 mm) 3 PLACE DECIMAL ±.005 (0,127 mm) ANGLES ± 1°	MATERIAL	DRAWN J. BOERS	DATE 13-May-98	TITLE MINI-UHF CRIMP PLUG BELDEN 9258 CABLE	Amphenol Amphenol Corporation Communication and Network Products Division Danbury, CT U.S.A. 06810			
	REFERENCE EAR 966950-0 GEN# ASSYMI_MINI-UHF	ENGINEER D. ROYCE	DATE 13-May-98			APPROVED	DATE	
NOTICE - These drawings, specifications, or other data (1) are, and remain the property of Amphenol Corp. (2) must be returned upon request; and (3) are confidential and not to be disclosed to any person other than those to whom they are given by Amphenol Corp. The furnishing of these drawings, specifications, or other data by Amphenol Corp., or to any other person to anyone for any purpose is not to be regarded by implication or otherwise in any manner licensing, granting rights or permitting such holder or any other person to manufacture, use or sell any product, process or design, patented or otherwise, that may in any way be related to or disclosed by said drawings, specifications, or other data.		CAD FILE I:\MINI-UHF\81-114-RFX	CODE ID 74868	DWG SIZE B	DRAWING NO. 81-114-RFX	SCALE: 4.0:1	SHEET 2 OF 2	REV B

Mouser Electronics

Authorized Distributor

Click to View Pricing, Inventory, Delivery & Lifecycle Information:

[Amphenol:](#)

[081-114-RFX](#)