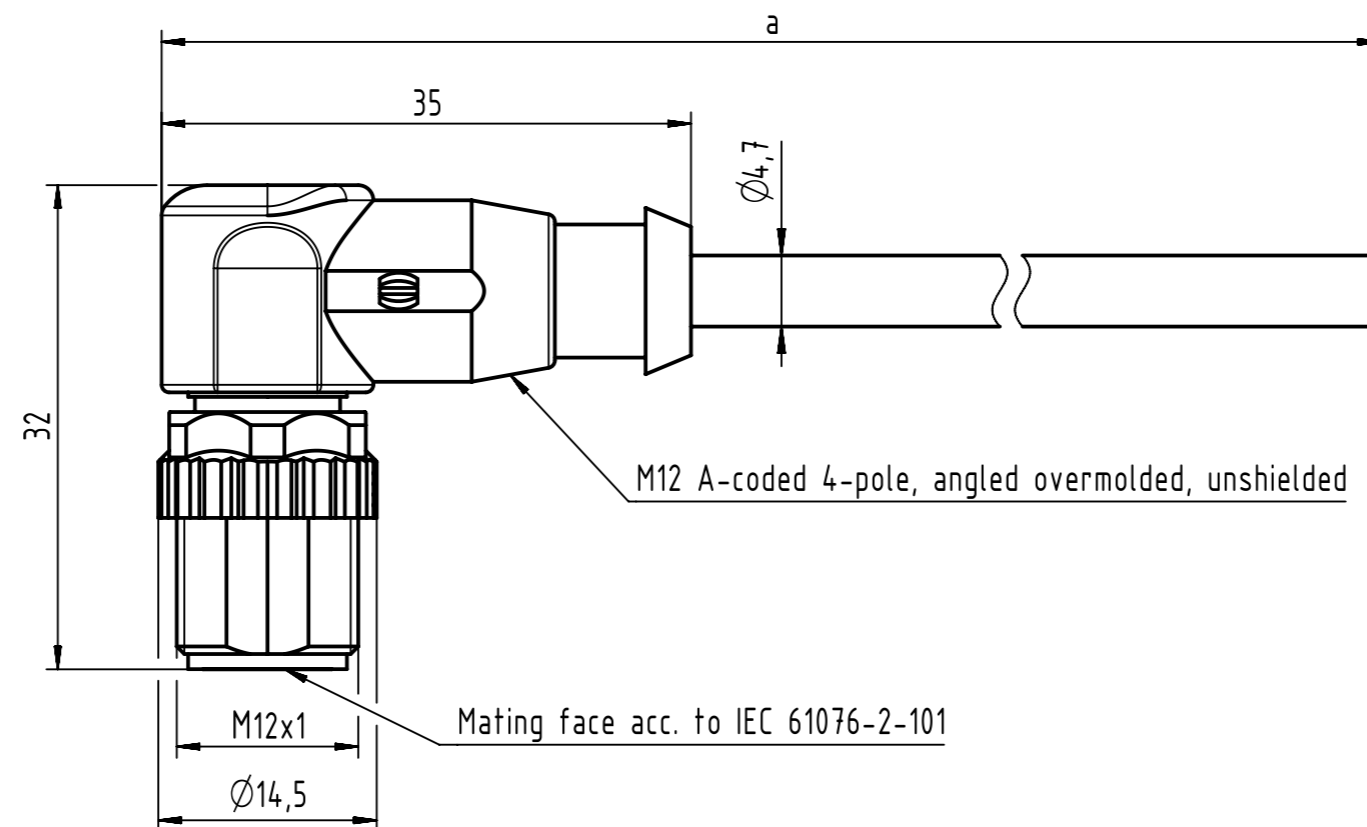


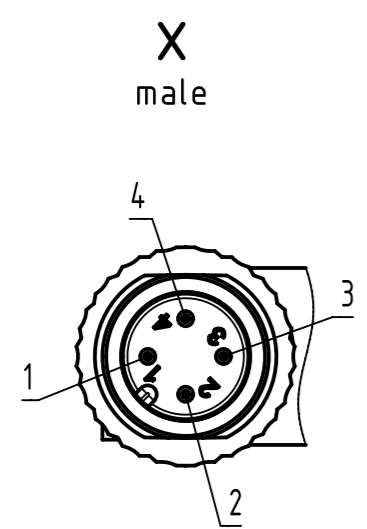
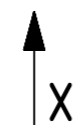
Connector Location A

Connector Location B



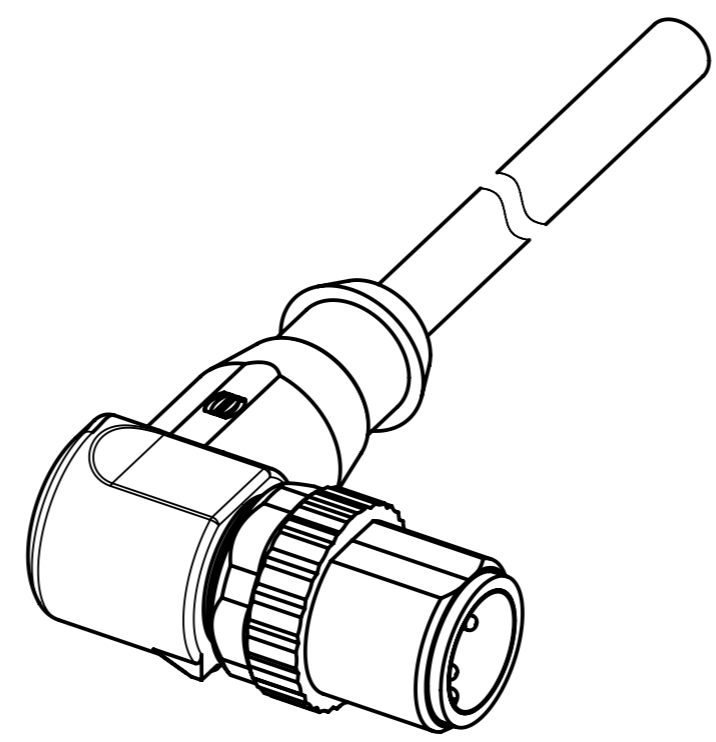
M12 A-coded 4-pole, angled overmolded, unshielded

Mating face acc. to IEC 61076-2-101



Loading Plan

1	brown
2	white
3	blue
4	black



4.0 to 40	±1%
0.1 to 3.9	+0.04
a [m]	Tolerance

length in "1m" step	40	YYY=400
	39	YYY=390
	.	.
	12	YYY=120
length in "0.1m" step	11	YYY=110
	10	YYY=100
	9.9	YYY=099
	9.8	YYY=098
	.	.
	0.4	YYY=004
	0.3	YYY=003
0.2	YYY=002	
0.1	YYY=001	
Step	a [m]	YYY

Part no.	213486004YYYYY
Type of cable	YY
PVC grey, 4x0.34mm ²	YY=84
PUR black, 4x0.34mm ²	YY=91

- Protection level: IP67
 - Temperature range: -25°C ... +80°C

	All Dimensions in mm	Tech. Character.		Free size tol.		According to production drawing	
	All rights reserved Department HCS - RO	Created by STOCHECIC Stocheici	Inspected by COSTEA Costea	Standardisation MUNTEANV Muntean	Date 2019-03-27	State Final Release	
HARTING Customised Solutions D-32339 Espelkamp		Title M12 Cable Assembly A-cod an/- m/-				Doc-Key / ECM-Nr. 100626548/UGD/009/E 500000149491	
		Type TB	Number 213486004YYYYY			Rev. E	Page 1/1

Mouser Electronics

Authorized Distributor

Click to View Pricing, Inventory, Delivery & Lifecycle Information:

HARTING:

[21348600484075](#) [21348600491010](#) [21348600491100](#) [21348600491005](#) [21348600484005](#) [21348600484015](#)
[21348600484100](#) [21348600484020](#) [21348600491015](#) [21348600491020](#) [21348600491050](#) [21348600491075](#)
[21348600484010](#) [21348600484050](#)