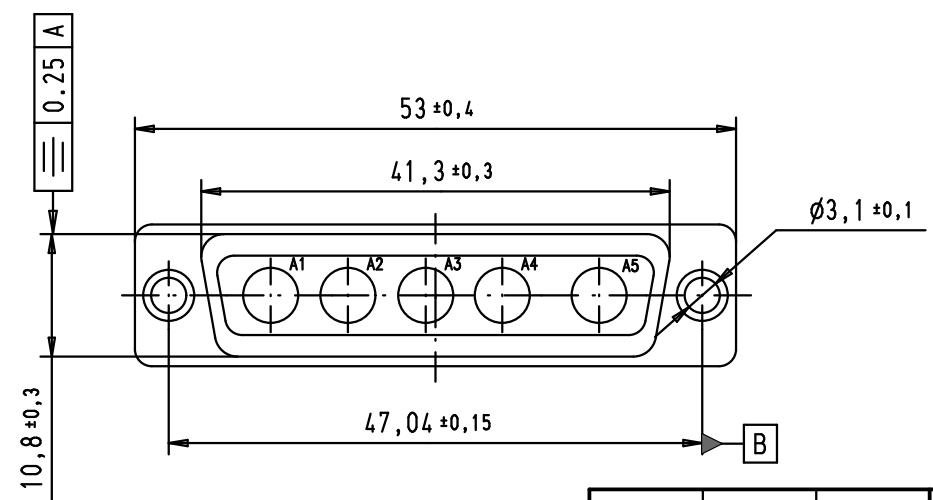
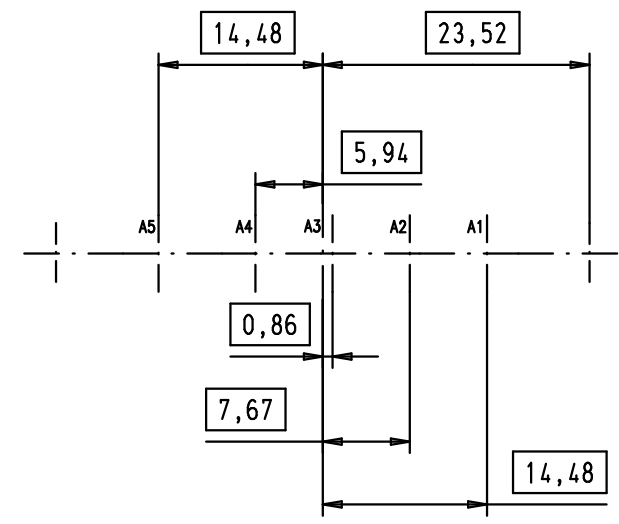
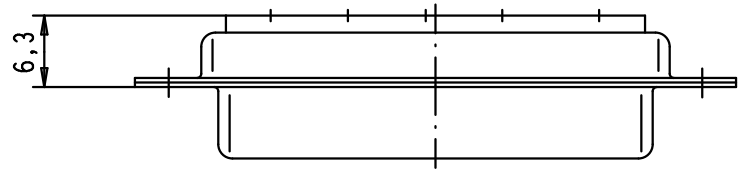
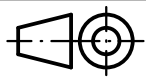



PCB layout hole, component side



A

09 69 300 0055.500	Non magnetic				Detail.	Dat.	Name	 All Dim. in mm Orig. Size DIN A 4	D-Sub, female, 5W5 without contacts, with tin plated shell	Maßstab/ Scale 1,5:1
09 69 300 0055		EC01706	21/04/10	SC	Insp.					
Part number		32119	23/06/04	AC	Stand.					
		31519	03/07/03	TCP	HARTING EURL				TB 09 69 300 0055	Blatt/ Page 1 / 1
		29742	12/11/01	AF	F-95972 Paris					
		Mod.	Dat.	Name						

Mouser Electronics

Authorized Distributor

Click to View Pricing, Inventory, Delivery & Lifecycle Information:

[HARTING:](#)

[09693000055](#)