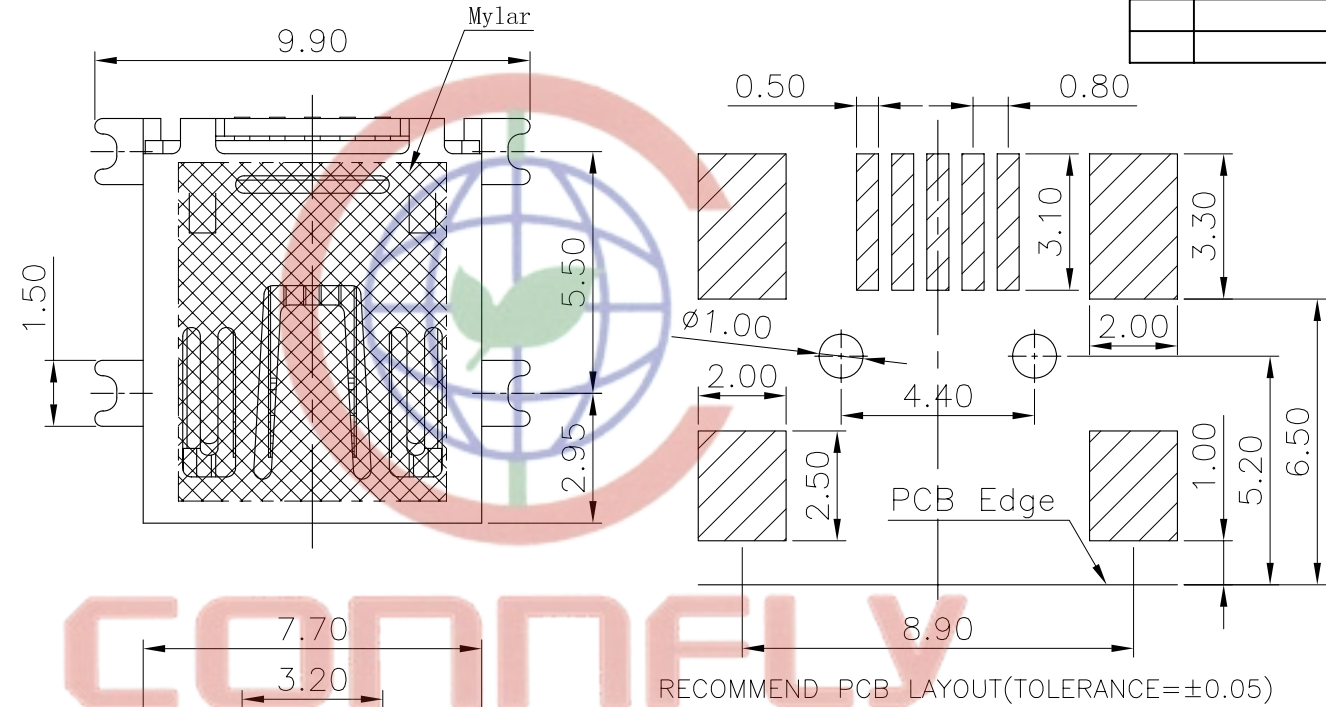
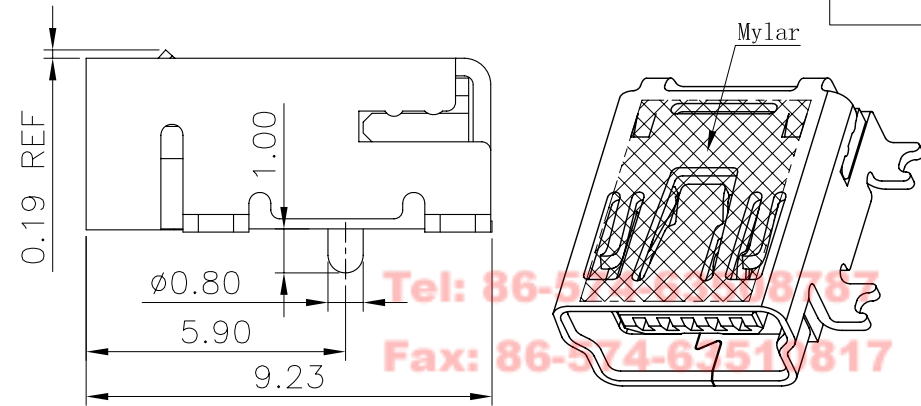
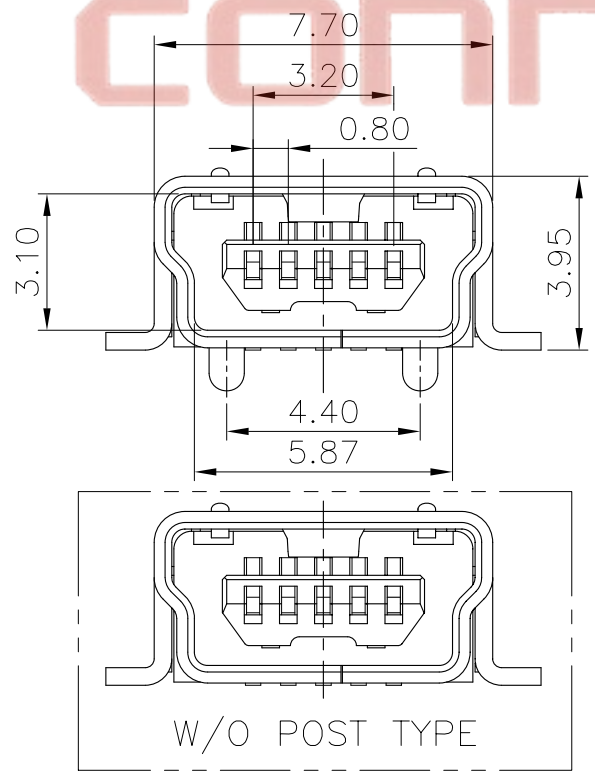


REV.	DESCRIPTION	DRAWN	CHECKED	APPROVED
A	NEW RELEASE	YCH 10/21/08'	~	



- NOTES:
- SPECIFICATIONS
    - CONTACT RESISTANCE:50mΩ Max.
    - INSULATOR RESISTANCE:100MΩ Min.
    - DIELECTRIC STRENGTH:100VAC FOR 1 Minute.
    - DURABILITY: 5000 CYCLES.
  - PRODUCT NUMBER CODE:  
DS1104 - X X X X X X
    - POST SUPPORT  
S:W/ POST  
X:W/O POST
    - PACKING TYPE  
R:TAPE ON REEL  
B:TUBE
    - MYLAR SUPPORT  
S:W/ MYLAR  
X:W/O MYLAR
    - CONTACT PLATING  
0: SELECTIVE GOLD FLASH  
C: SELECTIVE 3u" GOLD
    - SHELL PLATING  
6: FULL MATT TIN(RECOMMENDED)  
8: FULL GOLD
    - COLOR OF HOUSING  
B: BLACK



GENERAL TOLERANCE		ANGLE TOLERANCE		PROJECTION	TITLE	MINI USB B TYPE 5 pos. RECEPTACLE SMT TYPE	
X.	±0.60	X.	±5°	UNITS	mm		
.X	±0.38	.X	±3°	SHEET SIZE	A4	SERIES DS1104 SERIES	
.XX	±0.25	.XX	±2°	Add.: West Yulin Town Cixi Ningbo China			
DRAWING TYPE		CUSTOMER		晨翔电子有限公司 <b>CONNFLY CONNFLY ELECTRONIC CO. LTD</b>			
SCALE	1:1	SHEET	1 OF 1				
DRAWING NO.	C-DS1104-XXXXXX						

Tel: 86-574-6351787  
 Fax: 86-574-6351787  
 E-mail: sale@zhengjin.com.cn  
 Http://www.zhengjin.com.cn