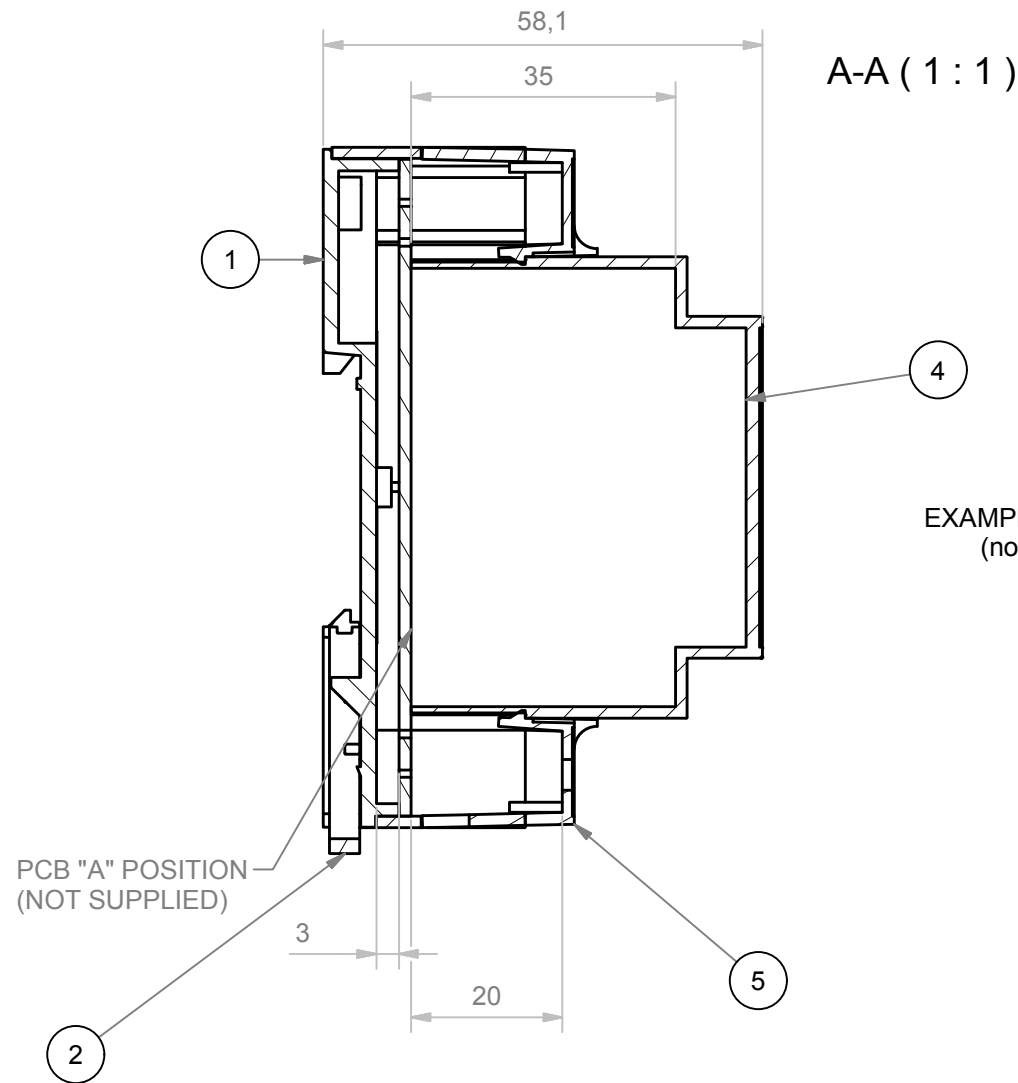
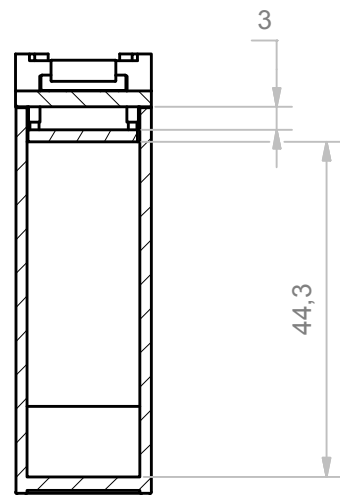
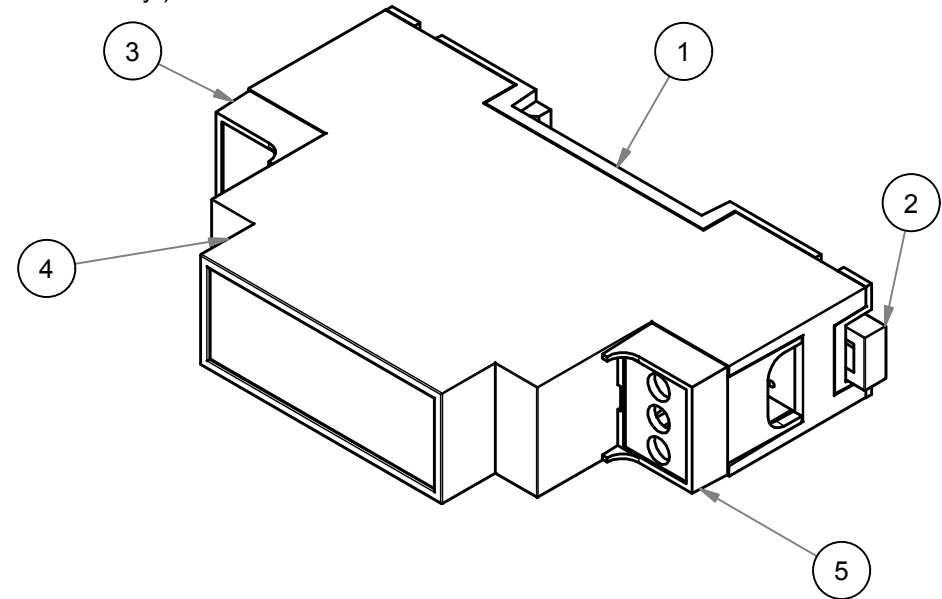


B-B (1:1)



EXAMPLE OF ACCESSORY
(not included in kyt)



EXAMPLE OF ACCESSORY
(not included in kyt)

RIF.	Q.TY	DESCRIPTION	CODE
1	1	BASE PER CONTENITORE 1M - BASE FOR ENCLOSURE 1M	M-00428
2	1	AGGANCIIO 1 MODULO - HOOK 1 MODUL	M-00427-00
3	1	COPRIMORSETTO 1MPN - TERMINAL COVER 1MPN	M-00024
4	1	CORPO PERCONTENITORE 1CM53	M-00193-02
5	1	COPRIMORSETTO PREFORATO PASSO 5,08 3 VIE 1MP05	M-00121-00

RESERVED PROPERTY: The present drawing cannot be reproduced or communicated to 3d parties, even partially, without the authorization of ITALTRONIC Srl. Italtronic reserves to protect its own rights according to the law.				5	4	3	2	1
GENERAL TOLERANCE	UNI EN 22768/1 Media (m)		Drawn:	Checked:		Revision description		
SHEET NR.	Dimension in mm	DRAWING BY	Fanin F.	Dalla Montà D.		Scale: 1 : 1		
1 / 1		 Manual modification are not allowed	Date: 06/06/2016	Replace nr.		Part number:		

 UN PARTNER PER IL FUTURO PLASTIC+ Group Italtronic	Denomination:	00 01
	 ITALTRONIC S.R.L. VIA AUSTRIA 25/D 35127 PADOVA - ITALY www.italtronic.com	Drawing nr. M-06524-00