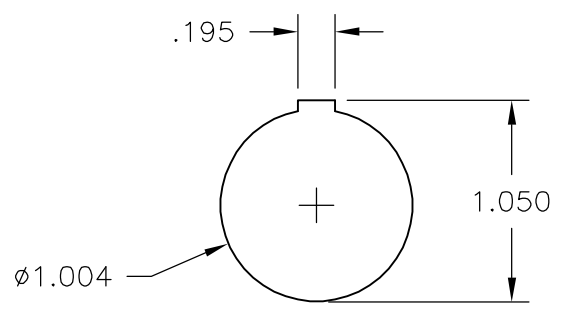
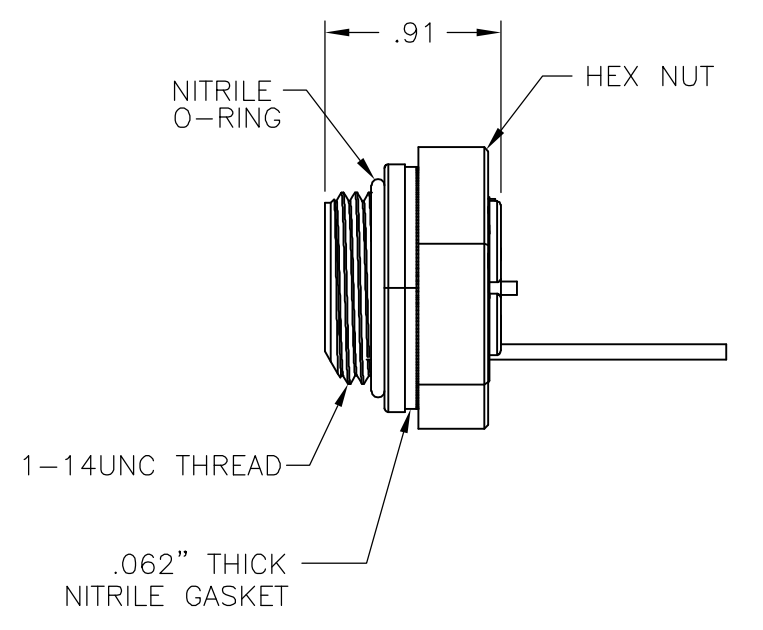
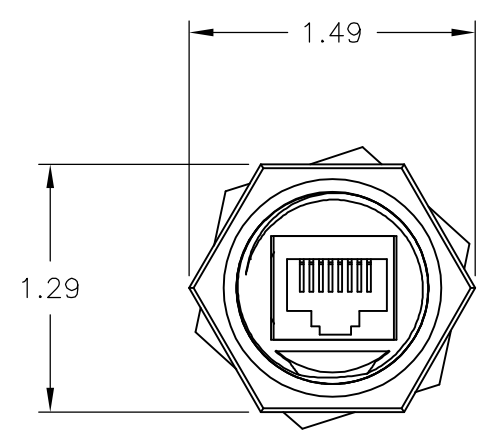
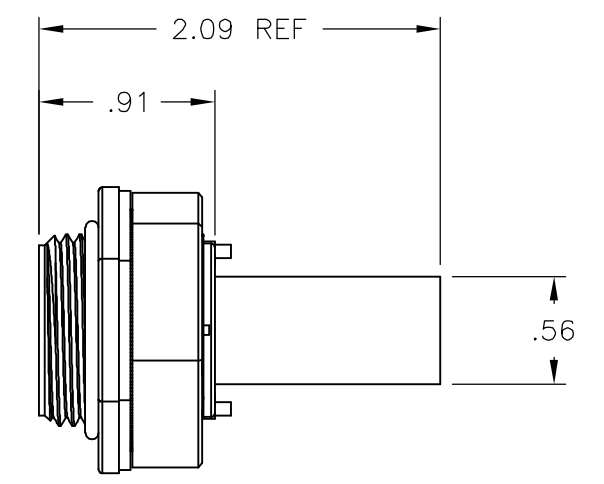


THIS DRAWING IS UNPUBLISHED. RELEASED FOR PUBLICATION
 © COPYRIGHT - BY TYCO ELECTRONICS CORPORATION. ALL RIGHTS RESERVED.

LOC	DIST	REVISIONS			
P	LTR	DESCRIPTION	DATE	DWN	APVD
FT	0	C	REVISED PER ECO-06-16025	7/7/06	SS DC



BACKEND DIMS.
OF RECEPTACLE



	1-1546409-1
SUPERSEDED	1546409-1
	PART NO.

THIS DRAWING IS A CONTROLLED DOCUMENT.		DWN S SCHLEGEL	09OCT2002	Tyco Electronics Corporation Harrisburg, PA 17105-3608	
DIMENSIONS: INCHES	TOLERANCES UNLESS OTHERWISE SPECIFIED:	CHK H WAKEEM	10/9/02	NAME RECEPTACLE WITH PC BOARD	
	0 PLC ± -	APVD H WAKEEM	10/9/02	PRODUCT SPEC -	
	1 PLC ± -	APPLICATION SPEC		-	
MATERIAL	FINISH	WEIGHT	-	SIZE A3	CAGE CODE 00779
				DRAWING NO C-1546409	RESTRICTED TO -
		CUSTOMER DRAWING		SCALE NTS	SHEET 1 OF 1
				REV C	