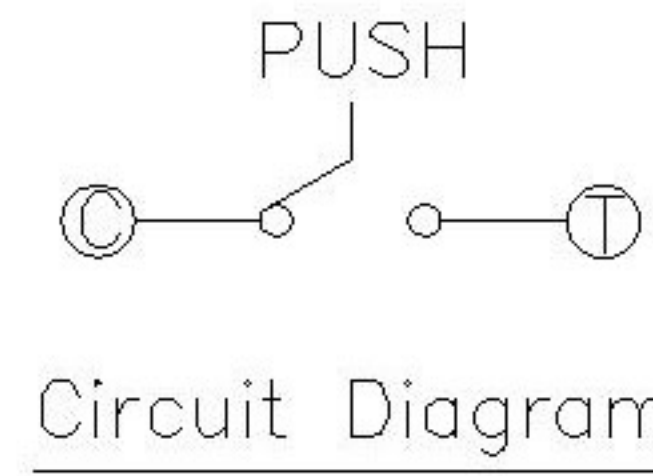
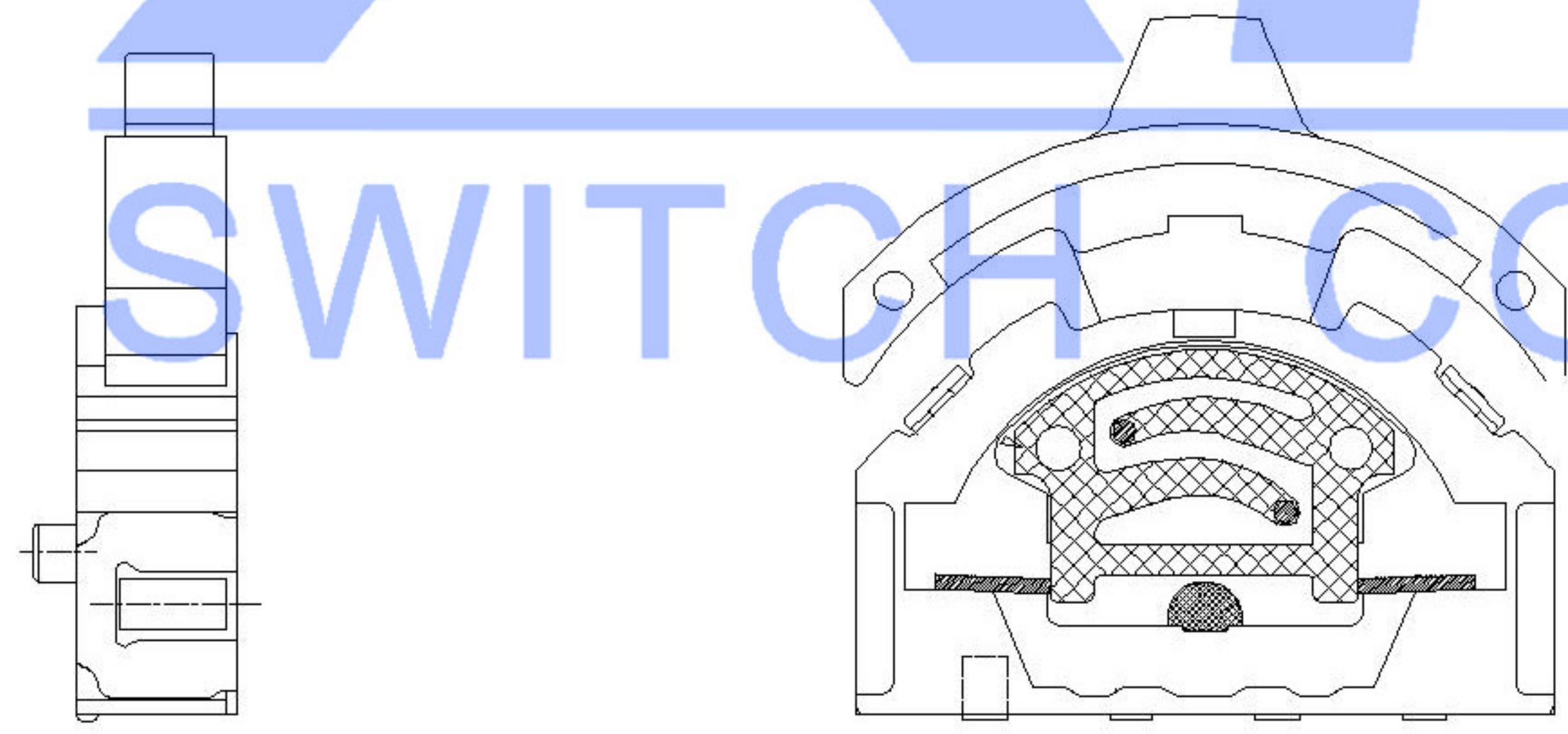
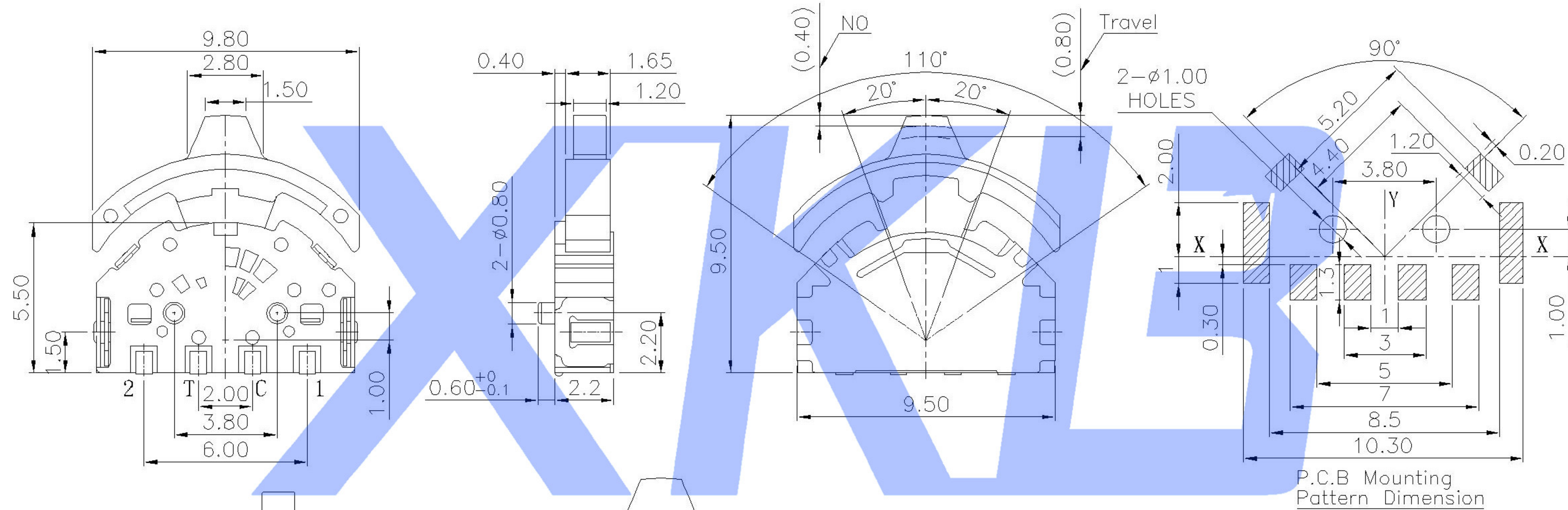


TER	0° (NO)			
	ANG. (20°)	(15°)	(15°)	(20°)
①				
②				
③				

CCW ← → CW  
CODE TABLE



NOTE:  
Operating Force:  
lever portion 100 ± 30 gf  
Push portion 250 ± 50 gf



ITEM	PAPT NAMF	TER,NO	QTY	MATERIAL	FINISHING	REMARK
⑥	Terminal	—	4	Brass(0.15t)	Plating silver	—
⑤	Contact	—	1	F.ag/Brass	Plating silver	—
④	Base	—	1	Nylon		—
③	Spring	—	1	Sus	Natural	—
②	Cover	—	1	Sus	Natural	—
①	Keystake	—	1	Nylon		—

MARK	DESCRIPTION	DATE	REVISED	APPROVED	ANGLAR	±5°	DSND	DATE	SCALE: N/A	MODEL TYPE: MULTI-FUNCTIONAL SWITCH	
△ X					X.X	±0.2mm	DWN	DATE	VIEW:	PART NO.:	
△ X					X.XX	±0.1mm	CHKD	DATE	UNIT: mm	DWG NO.:	
△ X					X.XXX	±0.05mm	APPD	DATE	SIZE: A4	<b>TM-2023</b>	
UNSPECIFIED TOLERANCES						<b>XKB INDUSTRIAL PRECISION CO.,LIMITED</b>			WEIGHT	SHEET	REVISION
www.xk-dg.cn www.helloxkb.com www.helloxkb.cn									1.0g	1/1	A0