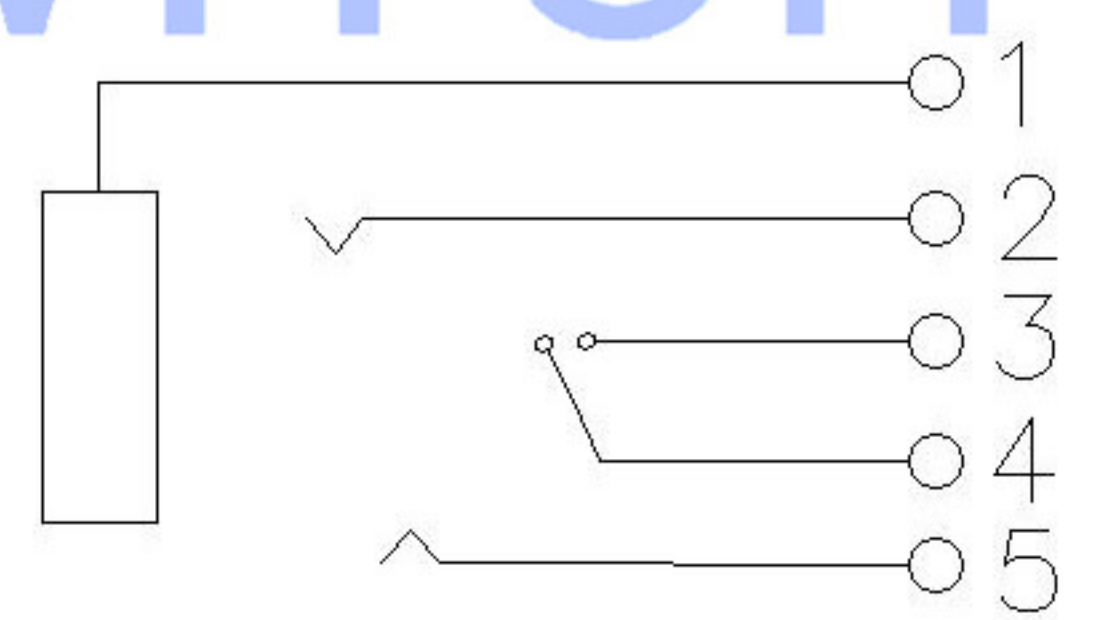


Temperature	-20~70 C
Rated Load	DC 30V 0.3A
Contact Resistance	<0.03Ω
Insulation Resistance	>100MΩ
Withstand Voltage	AC500V(50Hz)/min
Actuating Force	2.2~30N
Life	3000次

color B:Black W:White

SWITCH CONNECTOR



	MATERIAL	PLATING
terminal 1	Phosphor Bronze	silver
terminal 2	Phosphor Bronze	silver
terminal 3	Phosphor Bronze	silver
terminal 4	Phosphor Bronze	silver
terminal 5	Phosphor Bronze	silver
plastic	Pbt	

MARK	DESCRIPTION	DATE	REVISED	APPROVED	UNSPECIFIED TOLERANCES
ΔX					ANGLAR ±5°
ΔX					X.X ±0.2mm
ΔX					X.XX ±0.1mm
					X.XXX ±0.05mm
REVISIONS					
www.xk-dg.cn www.helloxkb.com www.helloxkb.cn					

DSND		DATE		SCALE: N/A	MODEL TYPE: 3.5 PHONE JACK
DWN		DATE		VIEW:	PART NO.:
CHKD		DATE		UNIT: mm	DWG NO.: PJ-358H-X
APPD		DATE		SIZE: A4	
XKB INDUSTRIAL PRECISION CO., LIMITED					WEIGHT 1.0g
					SHEET 1/1
					REVISION A0