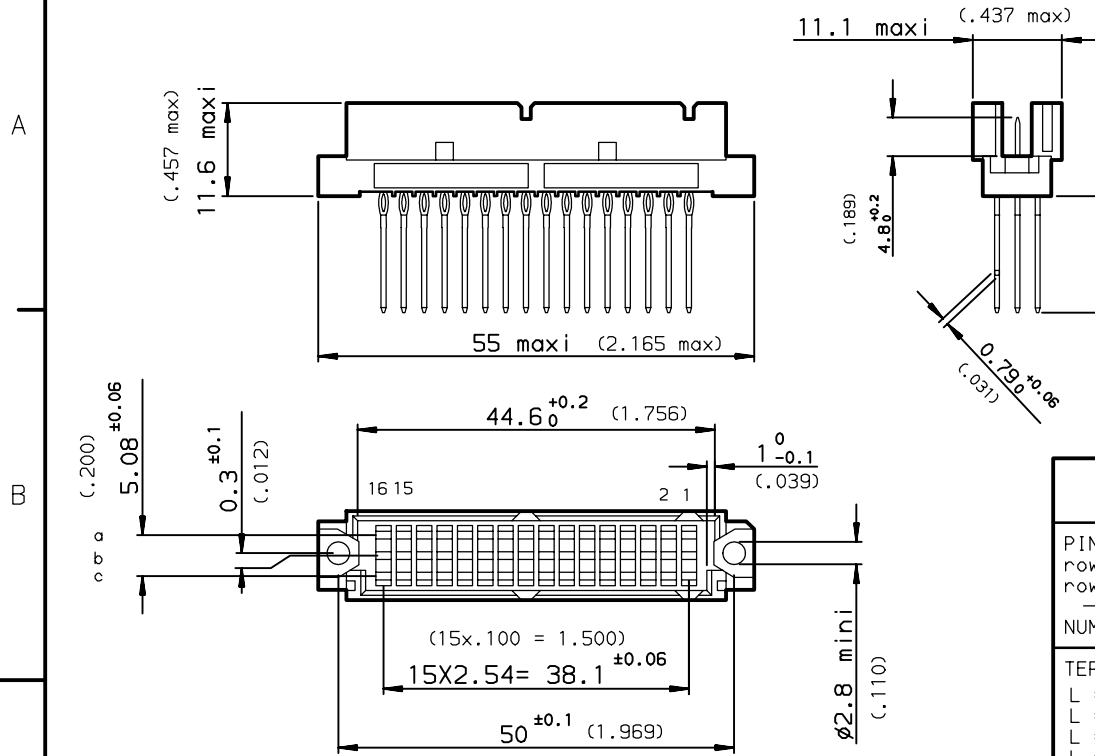


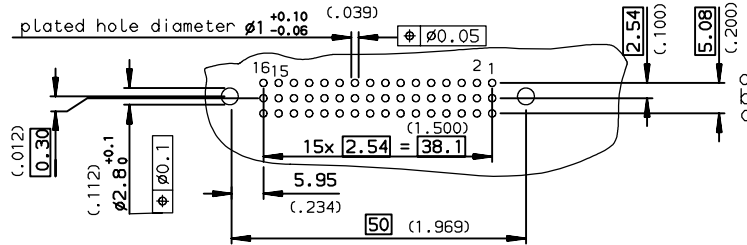
DIMENSIONS mm (inches)



PART NUMBER	8609			76		7		5	
PIN OUT									
rows a-b-c				3				48	
rows a-c				4				32	
NUMBER OF CONTACTS									
TERMINATION									
L = 13.25 ±0.25 (.521)				1 wrap				91	
L = 17.25 ±0.25 (.679)				2 wraps				92	
L = 20.00 ±0.25 (.787)				3 wraps				93	
L = 4.20 ±0.25 (.165)				short post				94	
PERFORMANCE CLASS									
DIN 41612 class 3									4
DIN 41612 class 2									5
DIN 41612 class 1									6
TERMINATION TYPE									
TIN LEAD									000E1
LEAD FREE									E1LF

PCB DRILLING

component side



GENERAL CHARACTERISTICS AND ROHS INFORMATIONS:

SEE DRAWING C-8609-0000C

European Views

www.fciconnect.com		surface	tolerance std	projection	mm	
		ISO 1302	ISO 406 ISO 1101		mm	
TOLERANCES UNLESS OTHERWISE SPECIFIED						
Dr	ROUILLARD	1992/07/07	ANGULAR	0.X	±0.1	size
Eng	TARON	1992/07/07	LINEAR	0.XX	±0.1	A3
Chr	LEGARE	1992/07/07	0.XX' ±2'	0.XXX	±0.1	Scale
Appr	LEGARE	1992/07/07	Product family	DIN 8609		ECN
			Spec ref		L506-0095	
		title			Rev.	
		STRAIGHT MALE - STYLE R/2			C-8609-0282	
		PRESS FIT			G	
catalog no		-			CUSTOMER sheet 1 of 1	

rev	ecn no	dr	date
E	-	ROU	1999/04/22
F	L505-004	JTA	2005/02/25
G	L506-0095	LGO	2006/06/15
-	-	-	-
-	-	-	-
-	-	-	-

Mouser Electronics

Authorized Distributor

Click to View Pricing, Inventory, Delivery & Lifecycle Information:

[FCI / Amphenol:](#)

[86093487694755E1LF](#) [86093487694765E1LF](#) [86093487692765E1LF](#) [86093487694745E1LF](#)
[86093487693755E1LF](#)