

INTERNAL THREAD UNC 4.40

5 across flats

NOTES

Material : steel tin plated

Corrosion resistance : 24 hours exposure to salt spray

Compensating washer thickness : 0.8 mm

A

B

C

D

A

B

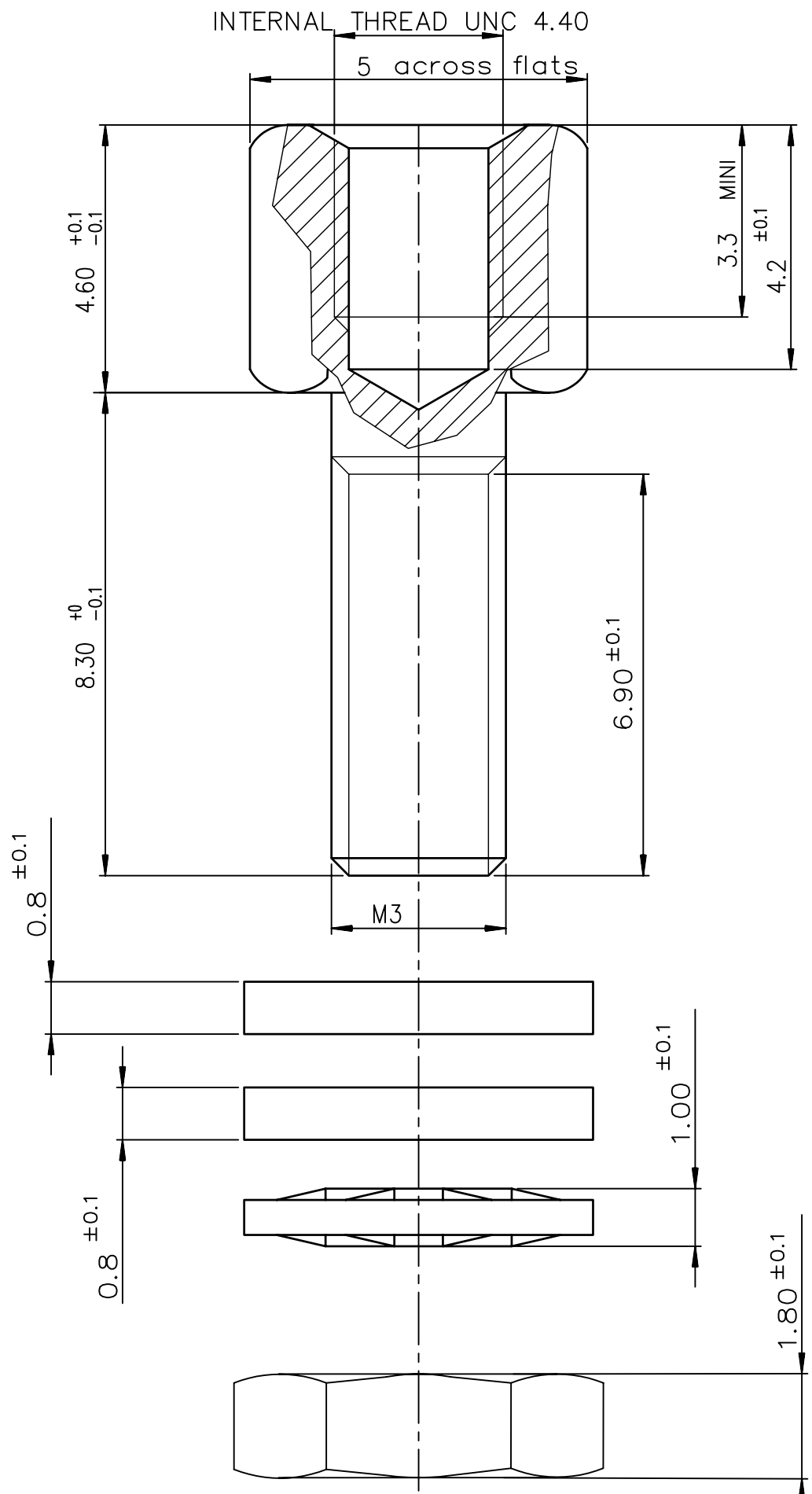
C

D

Part number	86552153TLF
-------------	-------------

NOTE1:RoHS INFORMATIONS

- The "LF" product meets European union Directives and other country regulations as described in GS-22-008.
- The product is not intended to be exposed to a manufacturing solder process.
- Packaging spec: see GS-14-920.



www.fciconnect.com			surface ISO 1302 ✓	tolerance std ISO 406 ISO 1101	projection mm
TOLERANCES UNLESS OTHERWISE SPECIFIED					
Dr	GOISNARD	2006/01/12	ANGULAR	0.X	±0.1
Eng	PESSON	2006/01/12	LINEAR	0.XX	±0.1
Chr	ABHILASH	2009/06/19	0.XX ±2	0.XXX	±0.1
Appr	SUDHIR	2009/06/19	Product family	D-SUB	Spec ref -
title FEMALE SCREW LOCKS			dwg no C01-8655-1655		Rev. C
catalog no			CUSTOMER sheet 1 of 1		

rev	ecn no	dr	date
A	LS05-0123	LGO	2006/01/12
B	LS06-0095	LGO	2006/06/24
C	I09-0100	AMR	2009/06/19
-	-	-	-
-	-	-	-
-	-	-	-
-	-	-	-

Copyright FCI. FCI

Mouser Electronics

Authorized Distributor

Click to View Pricing, Inventory, Delivery & Lifecycle Information:

[FCI / Amphenol:](#)

[86552153TLF](#)