

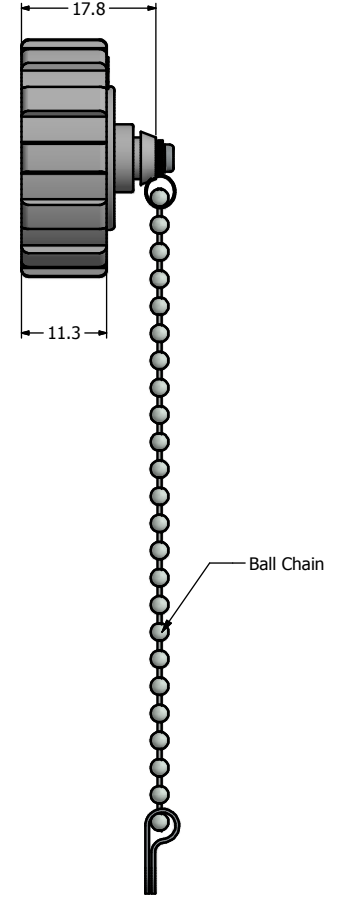
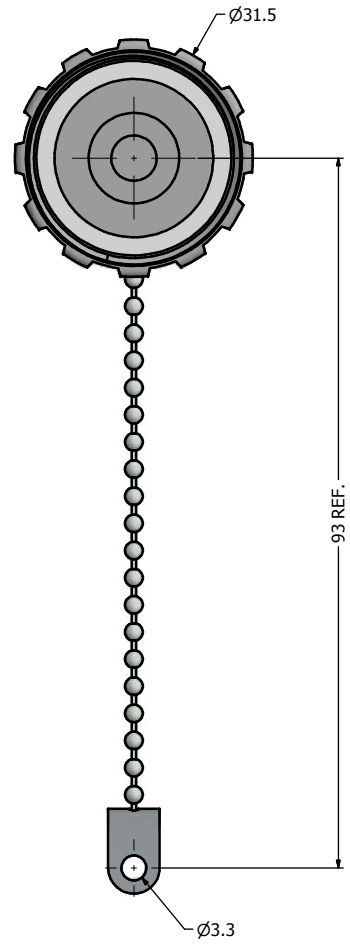
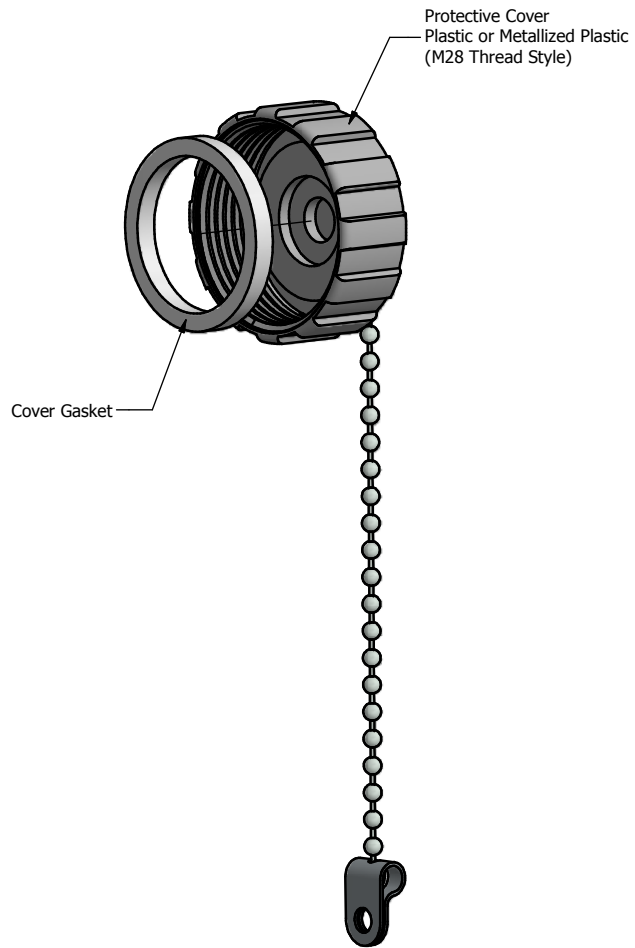
6 5 4 3 2 1

D

C

B

A



Notes:

- Material and Finish:
 - Protective Cover: Polyester (Black), UL94 V-0
 - Cover Gasket: Silicone, Color: White
 - Ball Chain Assembly: Copper Alloy and Stainless Steel, Nickel Plated
 - M2 Self Taping Screw: Stainless Steel
- Operating Temperature: -40°C to +85°C
- IP67/IP68 rated when fully mated with the appropriate mating connector

RoHS Compliant

THIS DRAWING MAY NOT BE COPIED OR REPRODUCED IN ANY WAY AND MAY NOT BE PASSED ON TO A THIRD PARTY WITHOUT WRITTEN PERMISSION. OWNERSHIP AND COPYRIGHT OF CONEC CORPORATION DOT NOT ALTER CAD DRAWING BY HAND	Customer:			Tolerance Unless otherwise specified			Scale:	Dim. in mm	
	Name	Title	Approval Date	0 PLC ±0.50	1 PLC ±0.38		Autodesk Inventor	Material: See Notes	
				2 PLC ±0.25	3 PLC ±0.10	2016	Date	Name	Title: Dust Cap Assembly Kit For IP67 Dual Port USB with Ball Chain Assembly
				ANGLES ±3°	Draw.	Dec. 09	Vincent Ke		
					Appd.	Dec. 09	Thomas Koch		
					Norm			Drawing No.: 17K1A635	DIN A3
					D-old			Part No.: 17-200970	Sheet 1/1
	a	original							
	Rev.	Changes	Date	Name					

6 5 4 3 2 1

D

C

B

A

Mouser Electronics

Authorized Distributor

Click to View Pricing, Inventory, Delivery & Lifecycle Information:

[CONEC:](#)

[17-200970](#)