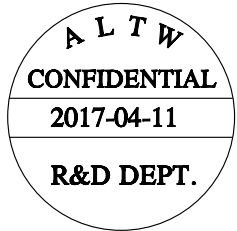
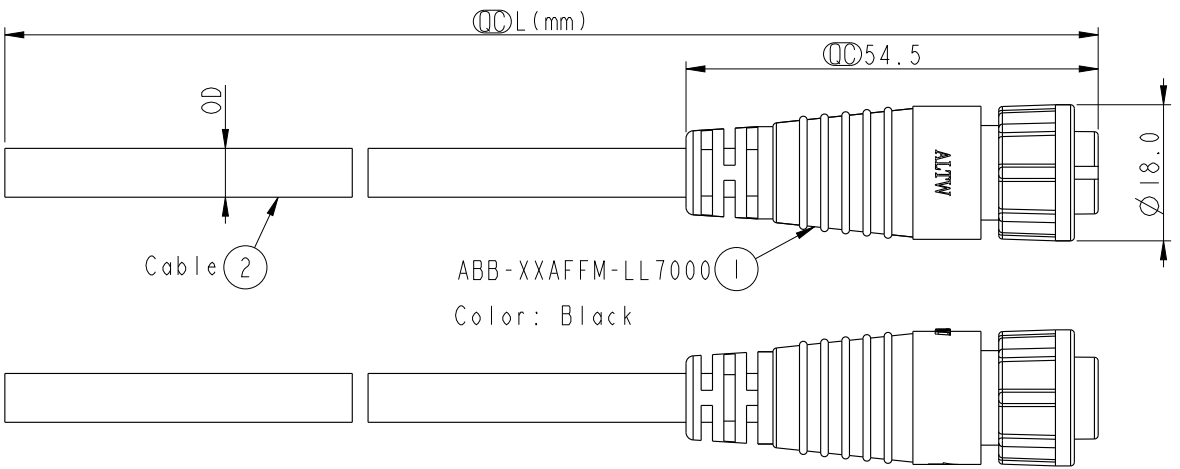


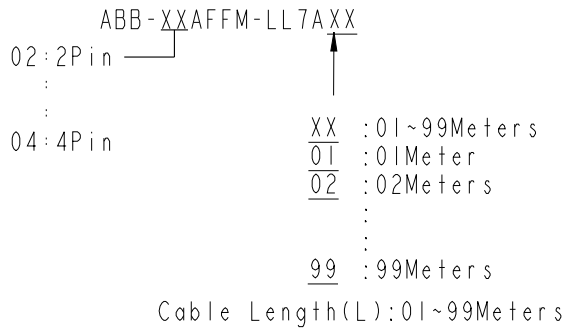
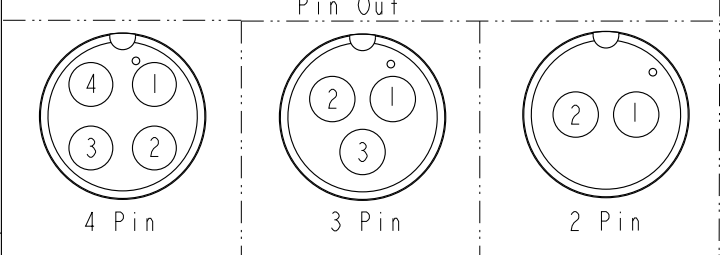
THIS DOCUMENT IS SUBJECT TO CHANGE WITHOUT NOTICE. IT IS CONFIDENTIAL AND A PROPERTY OF AMPHENOL LTW. DISCLOSURE TO THIRD PARTY HAS TO BE AUTHORIZED BY AMPHENOL LTW.

REV.	ECN NO.	DATE	SIGN	DESCRIPTION
A	Initial Release	2017/04/11	Mafei	Change Revision From 01 To A



4P	PVC	5.5	20	ABB-04AFFM-LL7AXX
3P		5.0		ABB-03AFFM-LL7AXX
2P		5.8		ABB-02AFFM-LL7AXX
Contacts	Cable Jacket	Cable OD	AWG	Item No.

4 White 白	3 Yellow 黃	2 Red 紅
3 Black 黑	2 White 白	1 Green 綠
2 Blue 藍	1 Black 黑	
1 Brown 棕		
Pin # Wire	Pin # Wire	Pin # Wire



- Note:
- * \varnothing Important Dimension To Check.
 - * Waterproof Rate: IP67
 - * Housing: Nylon+GF, Black.
 - * Female Pin: Copper Alloy, Tin Plated.
 - * Cable: UL2464 20AWG+D+AL/My
 - * PVC Jacket UV Resistant, Black.
 - * Cable Length Tolerance: 01M: 40mm
 - 02M~05M: ±60mm
 - 06M~10M: ±100mm
 - 11M~30M: ±200mm
 - 31M~99M: ±500mm

UNIT:mm		TITLE
TOLERANCE	±0.5	STANDARD CABLE LOCK F CONN F PIN
SCALE	1:2	SIZE A4
REV.	A	SHEET 1 OF 1
WC-REV.	A.1	QC: Inspection item

Amphenol LTW
安費諾亮泰企業股份有限公司

ITEM NO	DRAWN BY	DATE
	Mafei	2017-04-11
DWG NO	CHECKED BY	DATE
ABB-XXAFFM-LL7AXX	Jerry	2017-04-11
CUSTOMER	APPROVED BY	DATE
ALTW	Max	2017-04-11

Mouser Electronics

Authorized Distributor

Click to View Pricing, Inventory, Delivery & Lifecycle Information:

[Amphenol:](#)

[ABB-03AFFM-LL7A01](#) [ABB-04AFFM-LL7A01](#) [ABB-02AFFM-LL7A01](#)