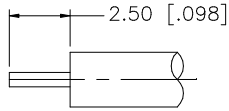
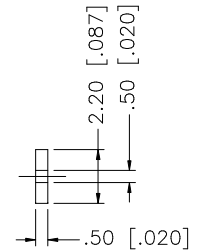
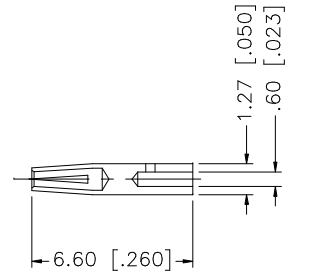
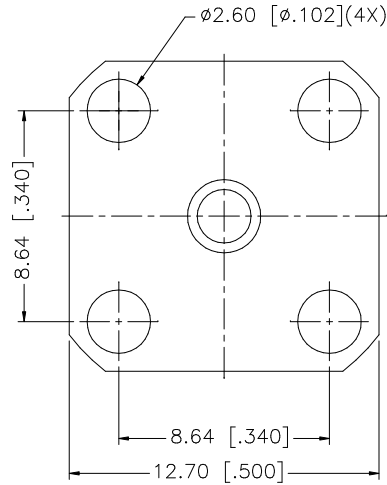
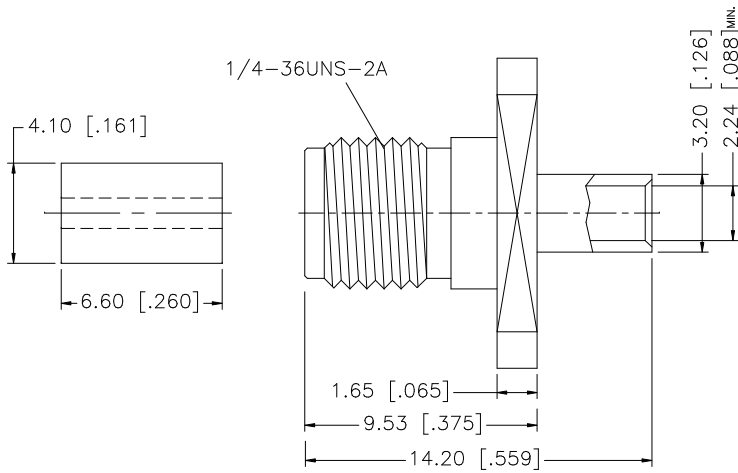


REV.	DATE	DESCRIPTION
NC	01/29/03	INITIAL RELEASE



RECOMMENDED CABLE STRIPPING DIMS.



NOTE: CONTACT PIN TO SOLDER

8				<small>UNLESS OTHERWISE SPECIFIED DIMENSIONS ARE IN MILLIMETERS. DIMENSIONS IN [] ARE IN INCHES AND FOR CUSTOMER REFERENCE ONLY.</small> <small>UNLESS OTHERWISE SPECIFIED TOLERANCES FOR MILLIMETERS ARE: 0.5 - 8mm ± 0.20mm 8 - 30mm ± 0.40mm 30 - 120mm ± 0.50mm</small> <small>UNLESS OTHERWISE SPECIFIED TOLERANCES FOR INCHES ARE: .020 - .315 = ± 0.007" .315 - 1.180 = ± 0.015" 1.180 - 4.724 = ± 0.020"</small>	APPROVALS	DATE	<h1 style="color: blue;">Amphenol Connex</h1>							
7					DRAWN	G.R.S.					01/29/03			
6					CHECKED			PART DESCRIPTION						
5					ISSUED			SMA SEMI-RIGID PANEL JACK (FOR .085", .086" CABLE)						
4	INSULATOR	TEFLON	NATURAL	1	SHEET	1 OF 1	PART NO.							
3	CONTACT PIN	BER. COPPER	GOLD	1			132107							
2	INSULATOR	TEFLON	NATURAL	1	CAD FILE	C:/132/132107.DWG	DWG. NO.	132107.DWG	REV.	NC	SIZE	A	SCALE	NA
1	BODY	BRASS	GOLD	1										
	DESCRIPTION	MATERIAL	FINISH	QTY	DO NOT SCALE DRAWING									

Mouser Electronics

Authorized Distributor

Click to View Pricing, Inventory, Delivery & Lifecycle Information:

[Amphenol:](#)

[132107](#)