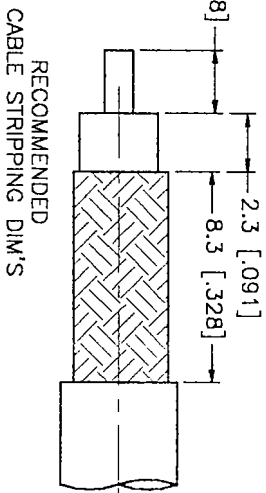
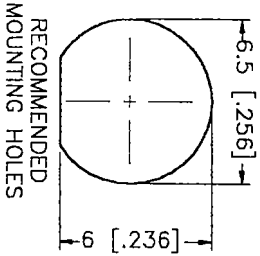
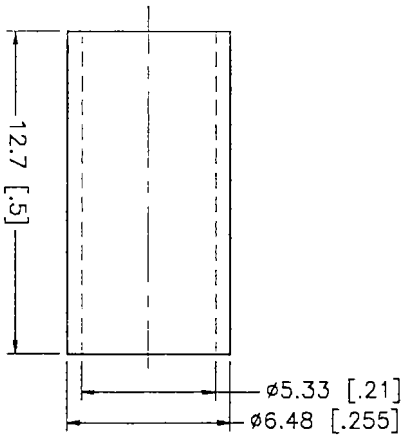
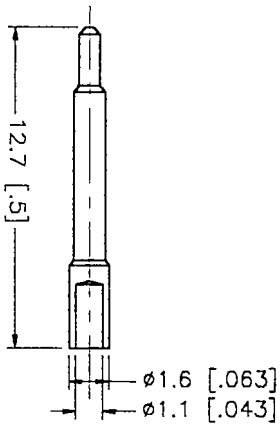
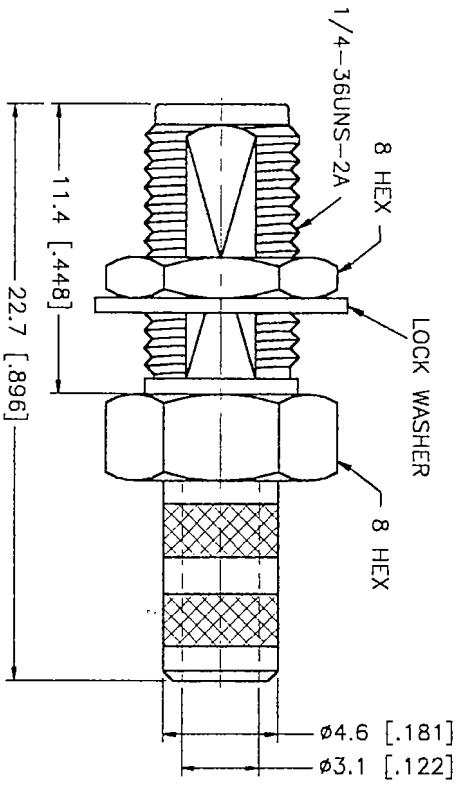


REV.	DATE	DESCRIPTION
NC	09/01/98	INITIAL RELEASE



DESCRIPTION	MATERIAL	FINISH	UNLESS OTHERWISE SPECIFIED DIMENSIONS ARE IN MILLIMETERS FOR CUSTOMER REFERENCE ONLY	APPROVALS	DATE	TITLE	
1 BODY	BRASS	GOLD	UNLESS OTHERWISE SPECIFIED DIMENSIONS ARE IN MILLIMETERS FOR CUSTOMER REFERENCE ONLY UNLESS OTHERWISE SPECIFIED TOLERANCES FOR MILLIMETERS ARE: 0.5-8 = ± 0.2 8-30 = ± 0.4 30-120 = ± 0.6 120-315 = ± 1 315-1000 = ± 1.6 1000-2000 = ± 2.4	DRAWN	G.R.S.	09/01/98	Comnex Connector Corporation SMA BULKHEAD CRIMP JACK REVERSE POLARIZED(FOR RG-58C, 58/U CABLE)
2 INSULATOR	TEFLON	NATURAL		CHECKED			
3 CONTACT PIN	BER. COPPER	GOLD		ISSUED			
4 FERRULE	COPPER	GOLD					
5 LOCK WASHER	BRASS	GOLD					
6 HEX NUT	BRASS	GOLD					
7							
8							

DO NOT SCALE DRAWING

SCALE	NA	PART NO.	132118-RP	SHEET	1 OF 1
SIZE	A	99001	132118-RP.DWG	REV.	NC

Mouser Electronics

Authorized Distributor

Click to View Pricing, Inventory, Delivery & Lifecycle Information:

[Amphenol:](#)

[132118RP](#)