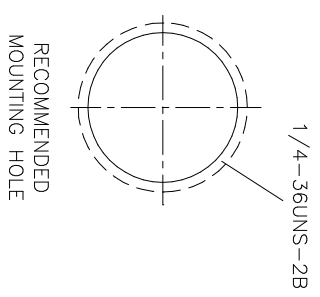
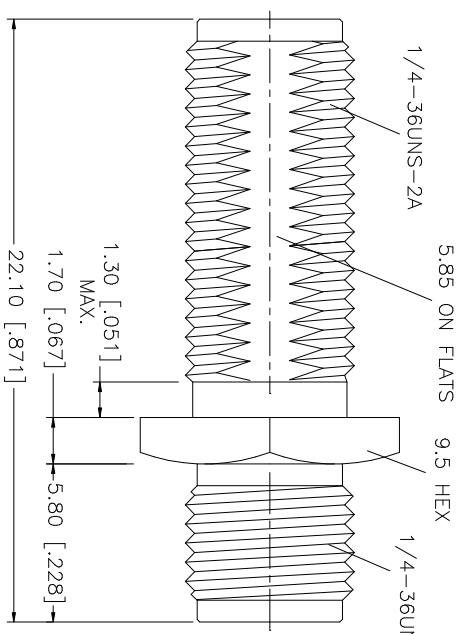
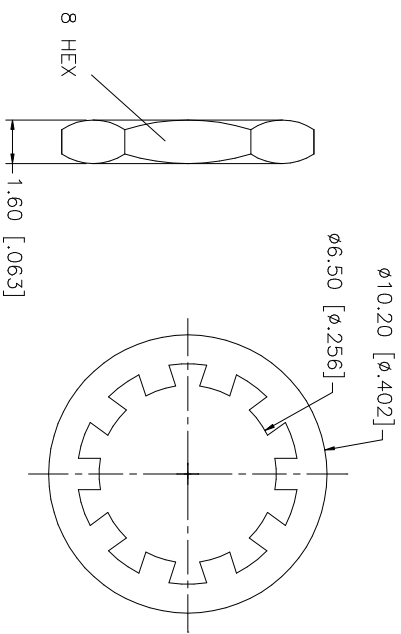
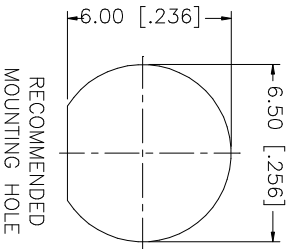


REV.	DATE	DESCRIPTION
C	04/08/01	ADD NOTES AND MOUNTING HOLE
D	04/31/03	UPDATE DRAWING FORMAT



NOTES:  
 1. MAX. PANEL THICKNESS = 6.5mm  
 MIN. PANEL THICKNESS = 2mm

**Amphenol Connex**

PART DESCRIPTION  
**SMA BULKHEAD FEMALE TO FEMALE ADAPTOR**

PART NO. 132170

UNLESS OTHERWISE SPECIFIED DIMENSIONS ARE IN MILLIMETERS DIMENSIONS IN [ ] ARE IN INCHES AND FOR CUSTOMER REFERENCE ONLY.	UNLESS OTHERWISE SPECIFIED TOLERANCES FOR MILLIMETERS ARE:	UNLESS OTHERWISE SPECIFIED TOLERANCES FOR INCHES ARE:	APPROVALS	DATE	PART DESCRIPTION
8			DRAWN	G.R.S.	04/31/03
7			CHECKED		
6	HEX NUT	BRASS	ISSUED		
5	LOCK WASHER	BRASS	SHEET	1 OF 1	
4	CONTACT PIN	BER. COPPER			
3	INSULATOR	TEFLON			
2	BODY	BRASS			
1	DESCRIPTION	MATERIAL	FINISH	QTY	

UNLESS OTHERWISE SPECIFIED DIMENSIONS ARE IN MILLIMETERS DIMENSIONS IN [ ] ARE IN INCHES AND FOR CUSTOMER REFERENCE ONLY.	UNLESS OTHERWISE SPECIFIED TOLERANCES FOR MILLIMETERS ARE:	UNLESS OTHERWISE SPECIFIED TOLERANCES FOR INCHES ARE:	DO NOT SCALE DRAWING
0.5 - 8mm ± 0.20mm	0.5 - 30mm ± 0.40mm	30 - 120mm ± 0.50mm	
.020 - .315 = ± 0.007"	.315 - 1.180 = ± 0.015"	1.180 - 4.724 = ± 0.020"	

CAD FILE	DWG. NO.	REV.	SIZE	SCALE
C:/132/132170.DWG	132170.DWG	D	A	NA

# Mouser Electronics

Authorized Distributor

Click to View Pricing, Inventory, Delivery & Lifecycle Information:

[Amphenol:](#)

[132170](#)