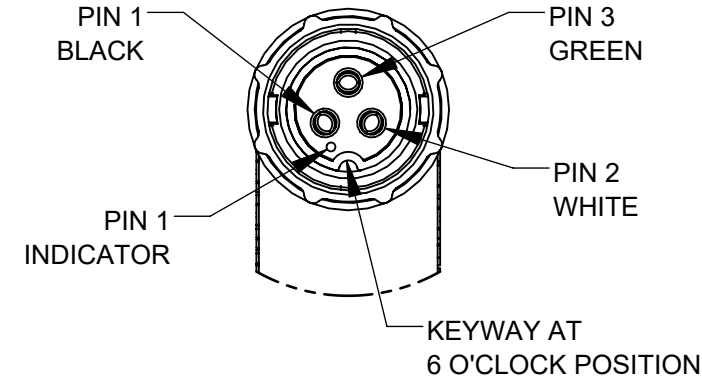


**CARAEN3C2F1607990**  
2-PIN FEMALE

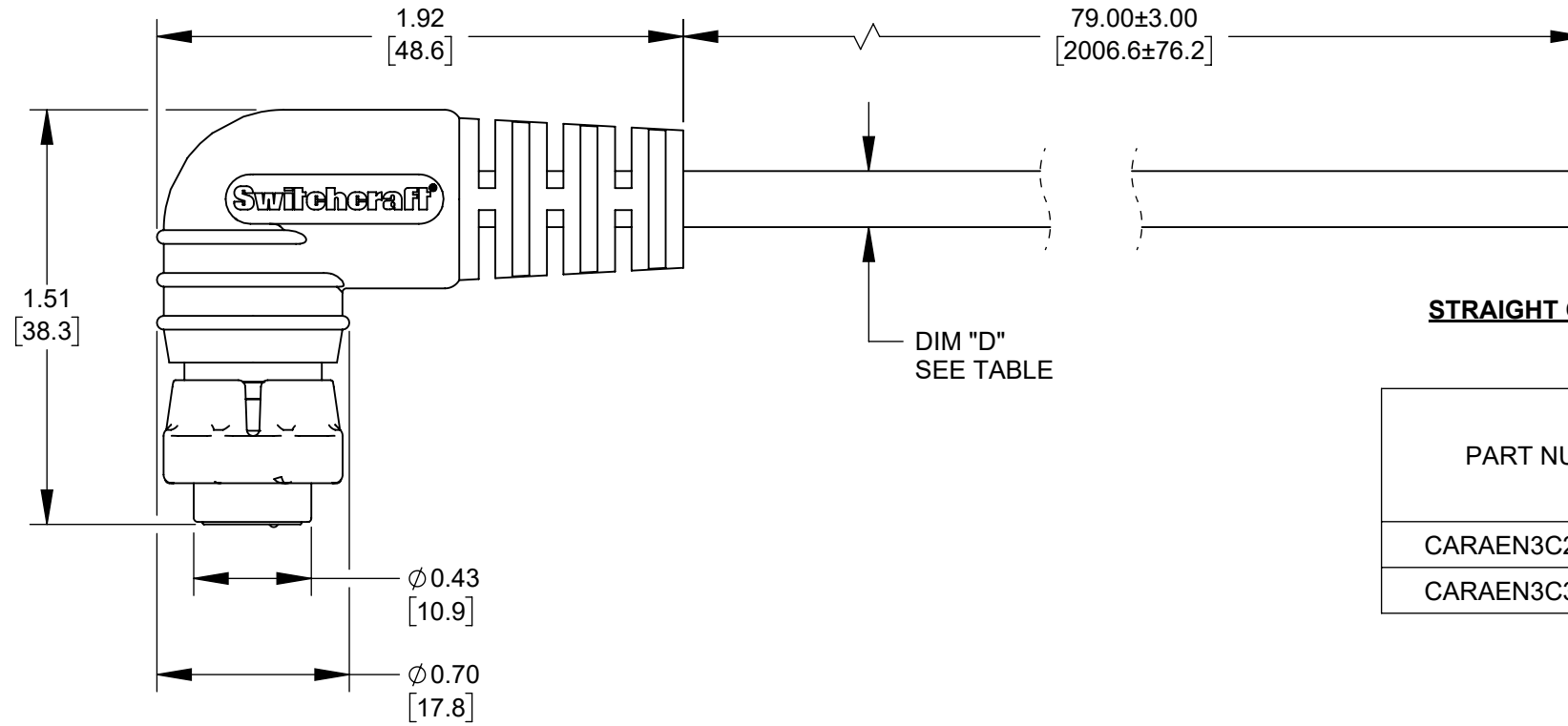
2 CONDUCTOR  
16 AWG CABLE  
BLACK PVC



**CARAEN3C3F1607990**  
3-PIN FEMALE

3 CONDUCTOR  
16 AWG CABLE  
BLACK PVC

**RIGHT ANGLE OVERMOLD**  
**FEMALE EN3C - 16GA CONTACTS**  
OVERMOLD - THERMOPLASTIC, BLACK  
CONNECTOR - THERMOPLASTIC, BLACK  
CONTACTS - COPPER ALLOY, GOLD PLATED



PART NUMBER	NUMBER OF CONTACTS	DIM "D" CABLE DIAMETER
CARAEN3C2F1607990	2	∅0.204 [5.18] REF
CARAEN3C3F1607990	3	∅0.275 [6.99] REF

**CUSTOMER DRAWING**

**NOTES:**

1. THIS PRODUCT IS RoHS COMPLIANT.

REV	ECO NUMBER	DATE	BY	APVD
A	28435	10-14-21	PC	TJK
REVISIONS				

UNLESS OTHERWISE SPECIFIED  
1. ALL DIMENSIONS IN INCHES [mm]  
- TWO PLACE DECIMALS ±0.02 [0.5]  
- THREE PLACE DECIMALS ±0.005 [0.13]

**DO NOT SCALE DRAWING**

THIS DRAWING DESCRIBES A DESIGN CONSIDERED PROPRIETARY IN NATURE, DEVELOPED AND MANUFACTURED BY SWITCHCRAFT INC. AND IS RELEASED ON A CONFIDENTIAL BASIS FOR IDENTIFICATION PURPOSES ONLY.									
SIZE	WIDTH	MULT	LBS/M	TEMPER					
FINISH SPEC No.					MATERIAL SPEC No.				
FIRST USED ON			SCALE 3:2		<b>Switchcraft</b> <sup>®</sup>				
DATE DRAWN	BY	CHKD	APVD						
8-27-21	CC	CC	TJK		SHEET 1 OF 1				
NAME FEMALE EN3C TO OVERMOLDED 16 AWG CABLE, SCO					PART No. CARAEN3C_F1607990		REV <b>A</b>		