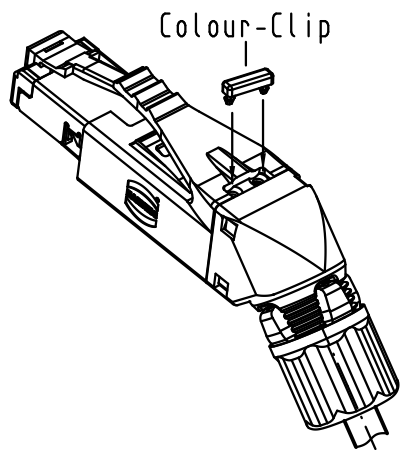


on request: colour-clip with RFID slot
TB 09 45 850 00xx



data contact plating: Au 1,27µm (50µin) over nickel

All Dimensions in mm Original Size DIN A 4		Techn. Character.			Nicht tolerierte Maßel Free size tolerances	
			Dat.	Name	Maßstab/Scale 2:1	RJ45 Professional male angled 4-pole Profinet
		Detail.	26.03.12	hsv		
		Insp.	26.03.12	Li		
		Stand.				
36500		HARTING Electronics GmbH & Co. KG				TB 09 45 151 1121
Mod.	Dat.	Name	D-32339 ESPELKAMP			
					Sub.	Blatt/ page