

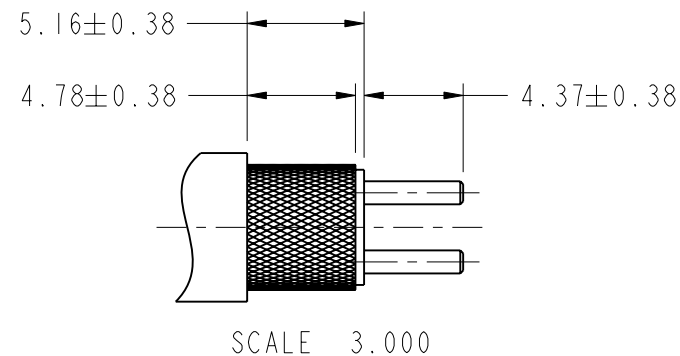
NOTES:

1. MATERIALS AND FINISHES:
 BODY - BRASS, NICKEL PLATING
 CONTACTS - BRASS & BERYLLIUM COPPER, SILVER PLATING
 INSULATOR - NORYL, GREY
2. ELECTRICAL:
 A. DIELECTRIC WITHSTANDING VOLTAGE: 1500 VRMS, MIN.
3. MECHANICAL:
 A. DURABILITY: 200 CYCLES MIN.
 B. TEMPERATURE RANGE: -45° C TO +121° C
4. PACKAGING:
 A. QUANTITY: SINGLE PACK
 B. MARKING: BAG TO BE MARKED
 "AMPHENOL RF, 31-224, AND DATE CODE"
6. CUSTOMER NOTE: ITEMS 1, 2, 3, 4, 5 & 6 ARE ASSEMBLED PRIOR TO SOLDERING ITEMS 7 & 8. AFTER SOLDERING ITEMS 7 & 8 IN PLACE, ITEM 9 IS SLIPPED ONTO ITEMS 7 & 8, THE COMPLETED ASSEMBLY IS PUSHED INTO ITEM 10 & SECURELY RETAINED BY WRENCH TIGHTENING ITEM 1.
7. APPLICATION INFORMATION
 THIS PLUG IS INTENDED FOR USE WITH 31-223 & 31-235 TWIN CONTACT RECEPTACLES WHEN MATING THIS PLUG WITH 31-223 OR 31-235 RECEPTACLE, THE PLUG MUST BE INSERTED & PROPERLY INDEXED FOR POLARIZATION WITH THE MATING RECEPTACLE BEFORE COMPLETING THE LOCKING THE BAYONET SLEEVE, WHEN THE CONNECTORS ARE COMPLETELY ENGAGED, THE BODY OF THE PLUG SHOULD NOT BE ROTATED RELATIVE TO THE RECEPTACLE AS THIS CAN CAUSE DAMAGE TO THE CONTACTS & INSULATORS.
8. CUSTOMER NOTE: SOLDER CONTACT TO CABLE

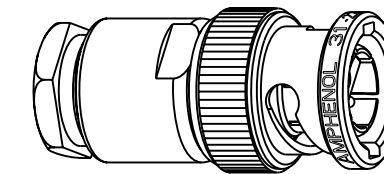
THIRD ANGLE PROJ.

REVISIONS

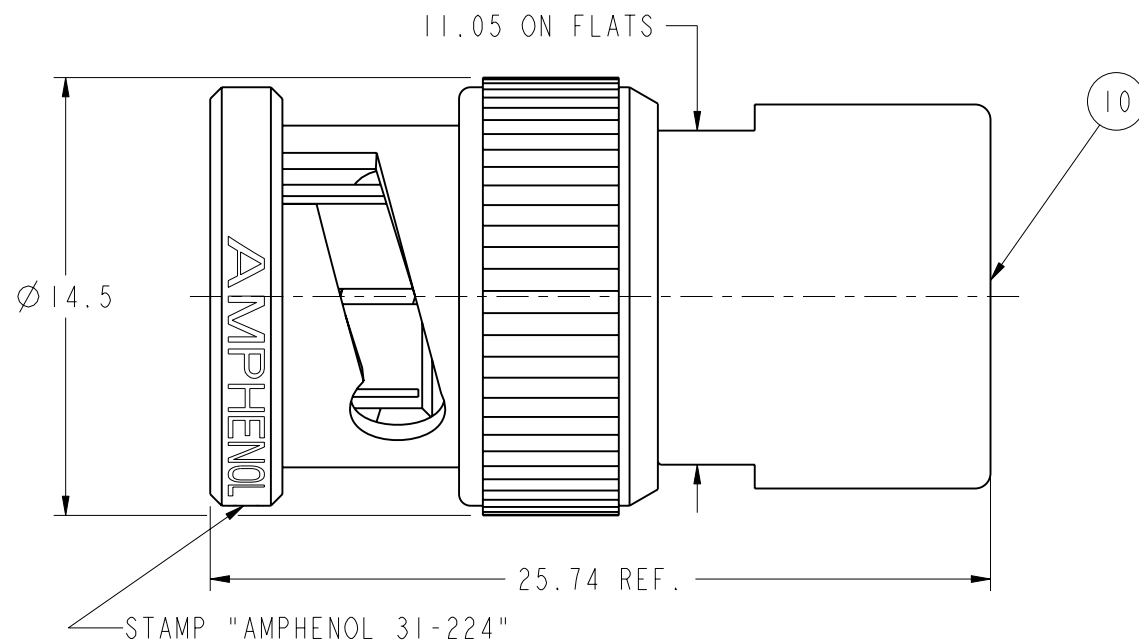
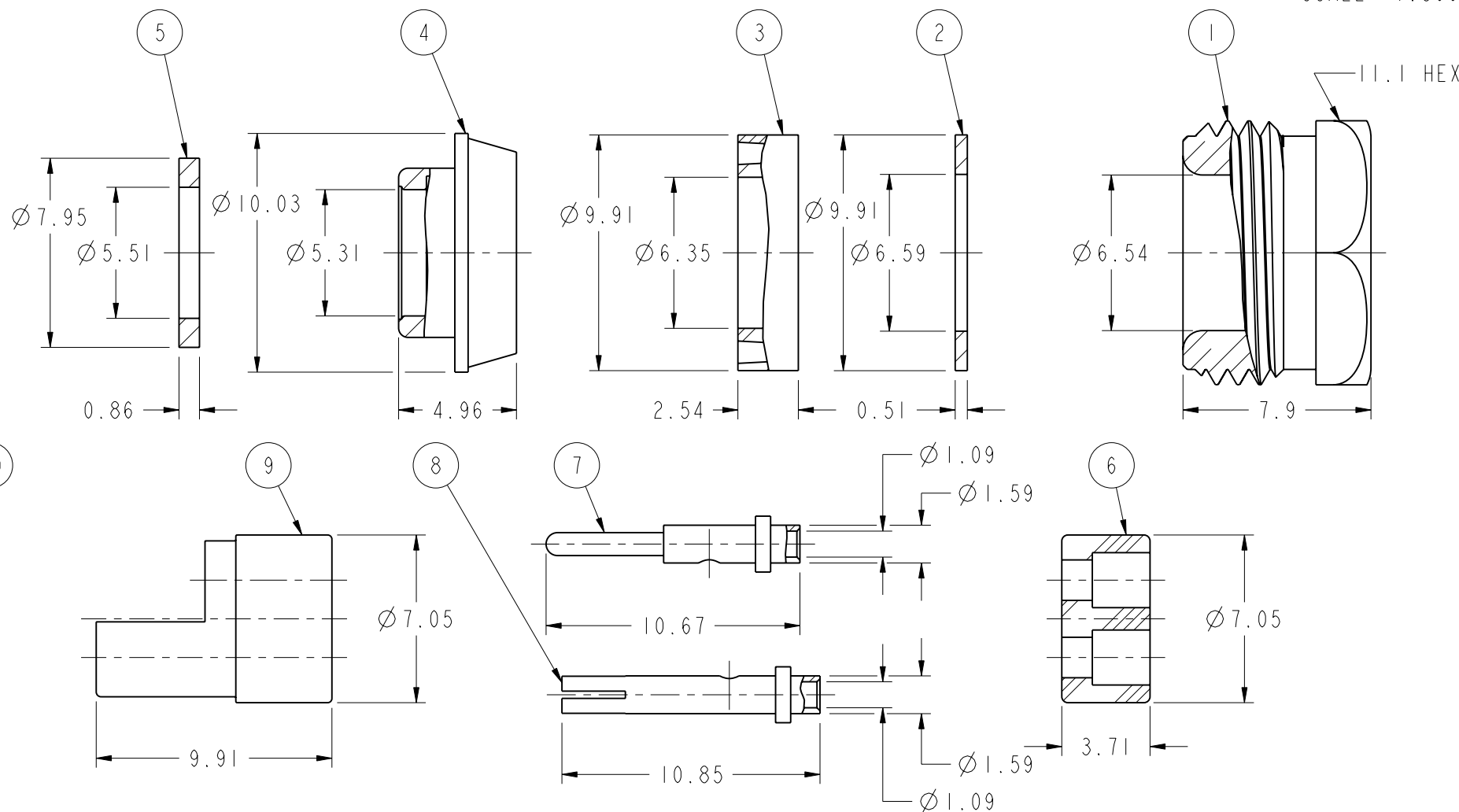
REV	DESCRIPTION	DATE	ECO	APPR
A2	SEE SHEET 1	09-Jan-03	--	TONY
B	SEE SHEET 1	06-Mar-08	--	AW
T	SEE SHEET 1	12-Jan-10	47921	SH
U	NOTE 8 WAS CHANGED\RD-DM11011001I1	12-Jan-11	48420	SH
V	PART 1 WAS CHANGED\RD-DMI4032501J1	10-Apr-14	49928	SH



RECOMMENDED CABLE STRIPPING DIMENSIONS



SCALE 1.500



CUSTOMER OUTLINE DRAWING
ALL OTHER SHEETS ARE FOR INTERNAL USE ONLY

UNLESS OTHERWISE SPECIFIED, DIMENSIONS ARE IN METRIC AND TOLERANCES ARE: <0.5mm ±0.05mm 0.5 - 6mm ±0.1mm 6 - 30mm ±0.2mm 30 - 120mm ±0.3mm ANGLES ±1°	MATERIAL	DRAWN JEKY.C	DATE 10-Apr-14	TITLE SPECIAL PLUG (TWIN CONTACT) BNC LOW VOLTAGE	Amphenol RF Danbury CT USA, Tainan, Taiwan, Shenzhen, China www.amphenolrf.com
	NOTICE - These drawings, specifications, or other data (1) are, and remain the property of Amphenol corp. (2) must be returned upon request; and (3) are confidential and not to be disclosed to any person other than those to whom they are given by Amphenol Corp. the furnishing of these drawings, specifications, or other data by Amphenol Corp., or to any other person to anyone for any purpose is not to be regarded by implication or otherwise in any manner licensing, granting rights to permitting such holder or any other person to manufacture, use or sell any product, process or design, patented or otherwise, that may in any way be related to or disclosed by said drawings, specifications, or other data.	REFERENCE TEXTRONIX 100X3225-1 DOR 22-25-5152	ENGINEER D. ROYCE		
FINISH	APPROVED S. HSIEH	DATE 10-Apr-14	SCALE: 5.0:1.0 SHEET 2 OF 2	DWG SIZE B	REV V
	CAD FILE I:\BNC\31-224				ITEM NO. 31-224 PART NO. 31-224

Mouser Electronics

Authorized Distributor

Click to View Pricing, Inventory, Delivery & Lifecycle Information:

[Amphenol:](#)

[031-224](#)