

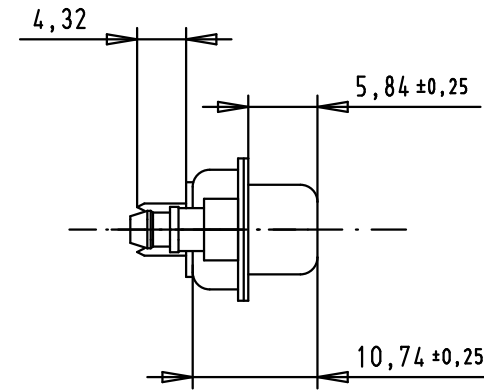
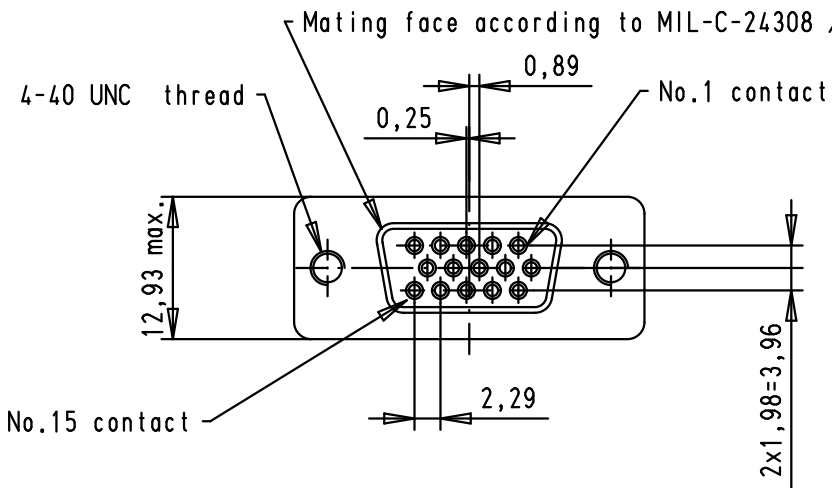
5

4

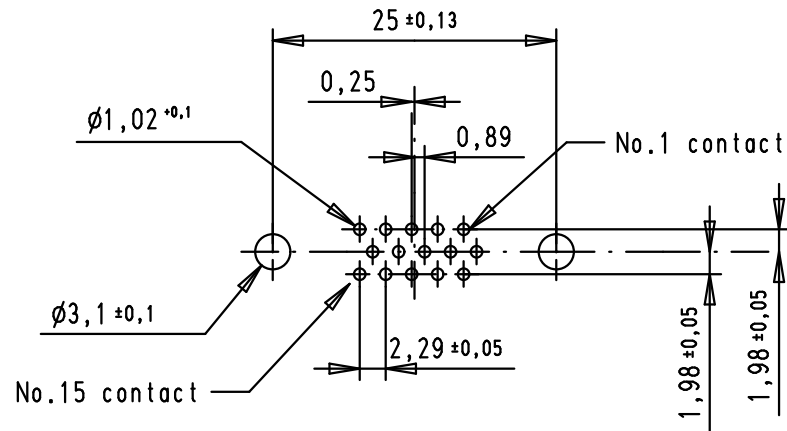
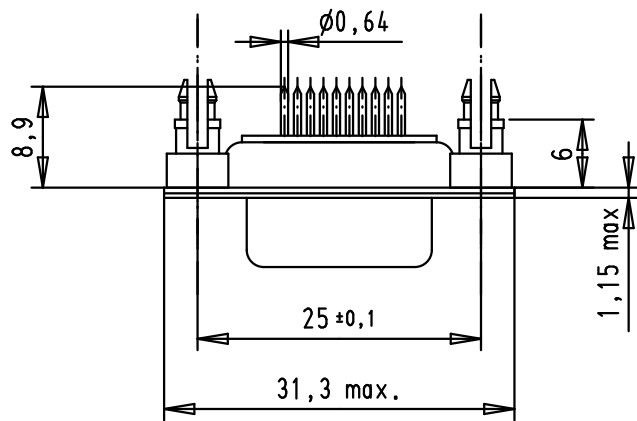
3

2

1



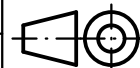
Printed board layout, component side  
PCB thickness 1,6mm



A

09561515512	0.76 $\mu\text{m}$ Au
09561517512	3
Part number	Performance level

				Dat.	Name
				16-OCT-02	S.H.
36183	13/10/10	BH	Insp.		
32735	18/03/05	AL	Stand.		
32326	03/01/05	TR			
31095	16-OCT-02	S.H.			
Mod.	Dat.	Name	HARTING EURL F-95972 Paris		



All Dim. in mm  
Orig. Size DIN A 4

Dsub, 15 poles, female,  
straight solder pins,  
board locks

Maßstab/  
Scale

1.5:1

TB 0956151x512

Blatt/ Page

1/1

Sub.