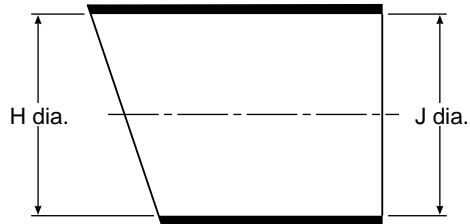
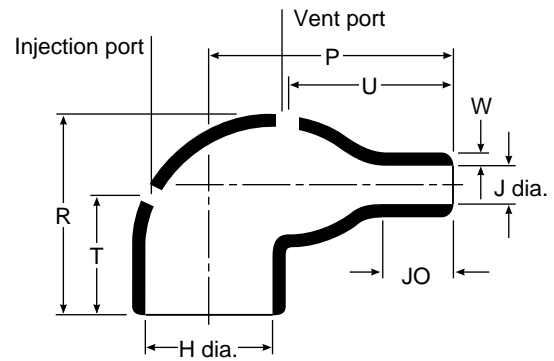


Before ordering check with factory for most current data.

As supplied (a)



After unrestricted recovery (b)



### Applications

Use for mechanical protection and connector-cable strain relief. This family of boots has no lip, so a boot can be installed directly onto the connector accessory thread.

### Materials Available

Material*	Material description	Precoating no.	Adhesive part no.**
-3	Semirigid polyolefin	/42 or /86	S-1017 or S-1048
-4	Flexible polyolefin	/42 or /86	S-1017 or S-1048
-12	Viton		
-25	Fluid-resistant elastomer	/42 or /86 or /225	S-1017 or S-1048
-100	Polyolefin, Zerohal	/86 or /180	S-1030 or S-1048

\*For more information, please see the appropriate material page in this section.

\*\*For more information, please see Section 5 of this catalog.

Part number	H		J			
	Min.	Max.	Min.	Min.	Min.	Max.
	a	b	-3, -4, -25 a	-100 a	-12 a	b
222A111	17.8 (.70)	7.9 (.31)	17.8 (.70)	10.9 (.43)	9.9 (.39)	3.8 (.15)
222A121	24.9 (.98)	10.2 (.40)	24.9 (.98)	16.0 (.63)	18.0 (.71)	5.3 (.21)
222A132	30.0 (1.18)	14.2 (.56)	30.0 (1.18)	21.1 (.83)	20.6 (.81)	6.4 (.25)
222A142	32.5 (1.28)	17.3 (.68)	32.5 (1.28)	22.9 (.90)	22.9 (.90)	6.9 (.27)
222A152	36.1 (1.42)	21.8 (.86)	36.1 (1.42)	27.4 (1.08)	26.4 (1.04)	8.4 (.33)
222A163	43.9 (1.73)	27.4 (1.08)	43.9 (1.73)	28.4 (1.12)	27.4 (1.08)	9.4 (.37)
222A174	53.1 (2.09)	33.8 (1.33)	53.1 (2.09)	48.3 (1.90)	46.7 (1.84)	15.0 (.59)
222A185	67.6 (2.66)	44.2 (1.74)	67.6 (2.66)	58.4 (2.30)	54.4 (2.14)	20.3 (.80)
222A196	87.6 (3.45)	55.4 (2.18)	87.6 (3.45)	68.8 (2.71)	63.0 (2.48)	23.4 (.92)

	P	R	T	U	JO	W
	±10% b	±10% b	±10% b	±10% b	±10% b	±20% b
222A111	17.3 (.68)	20.1 (.79)		11.4 (.45)	4.3 (.17)	1.02 (.04)
222A121	21.3 (.84)	22.6 (.89)		14.7 (.58)	5.8 (.23)	1.27 (.05)
222A132	26.9 (1.06)	26.7 (1.05)	19.1 (.75)	17.8 (.70)	7.1 (.28)	1.52 (.06)
222A142	36.6 (1.44)	30.5 (1.20)	19.1 (.75)	24.9 (.98)	10.2 (.40)	1.78 (.07)
222A152	43.7 (1.72)	35.1 (1.38)	19.1 (.75)	30.0 (1.18)	12.7 (.50)	1.78 (.07)
222A163	53.6 (2.11)	43.9 (1.73)	19.1 (.75)	34.0 (1.34)	17.3 (.68)	2.03 (.08)
222A174	75.7 (2.98)	52.8 (2.08)	25.4 (1.00)	53.3 (2.10)	32.0 (1.26)	3.30 (.13)
222A185	97.5 (3.84)	66.0 (2.60)	25.4 (1.00)	71.1 (2.80)	40.6 (1.60)	3.81 (.15)
222A196	128.0 (5.04)	79.2 (3.12)	25.4 (1.00)	87.6 (3.45)	56.4 (2.22)	4.57 (.18)

Zerohal is a trademark of Raychem Corporation.

Viton is a trademark of E. I. du Pont de Nemours and Company.