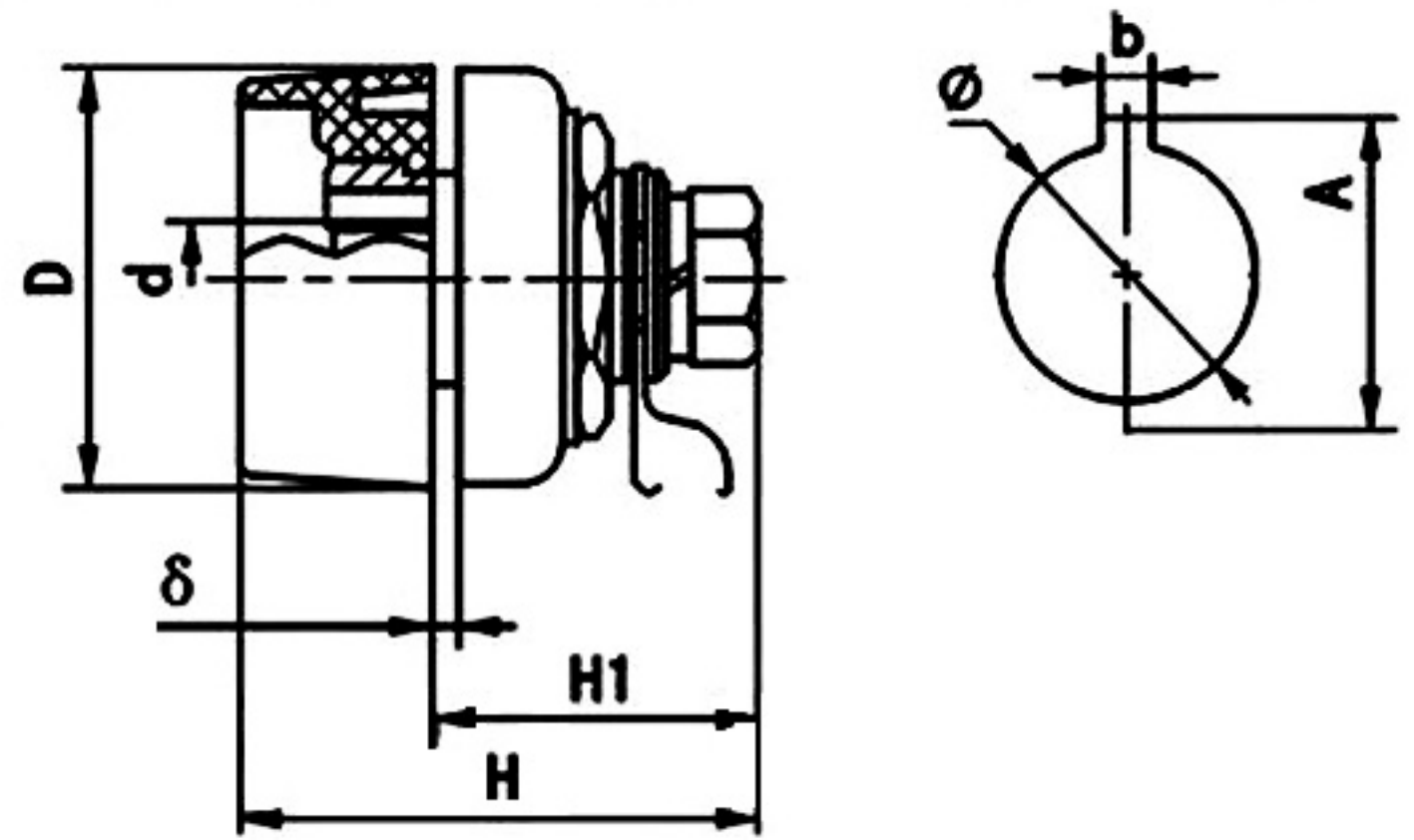


		mm ²	d	D	d1	H1	H
DKJ10-25	200A	10-25	9	26	11	75	85
DKJ35-50	315A	35-50	13	34.5	12.5	90	109
DKJ50-70	400A	50-70	13	38	18.5	91.5	110.5
DKJ70-95	500A	70-95	13	40.5	16.5	96	115



		mm ²	d	D	H	H1	δ	D	(mm)		
									b	A	φ
DKJ10-25	200A	10-25	9	32.4	37.3	33.3	1-1.5	32.5	6	22.2	19.3
DKJ35-50	315A	35-50	13	40	52	39	1-4	38	6	32.8	30
DKJ50-70	400A	50-70	13	49	58	34.3	1-4	40	6	33	30
DKJ70-95	500A	70-95	13	50	59	35.3	1-4	43	6	32.7	30