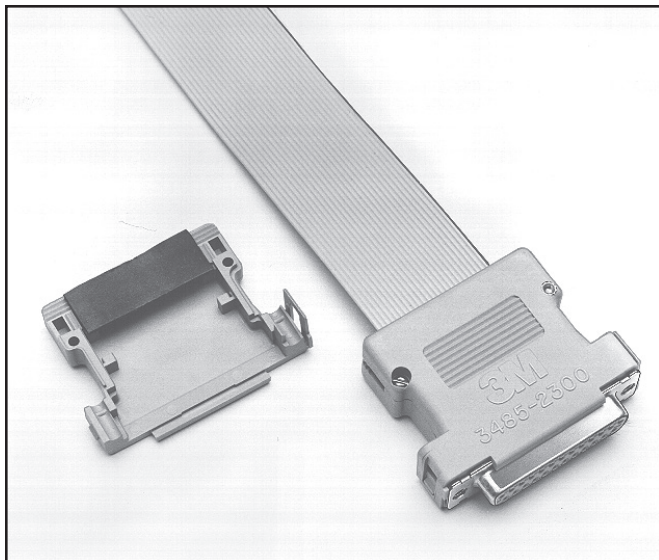


3M™ D Sub Junction Shell

Plastic



- Uses standard hardware
- Light weight, compact size
- Full family of sizes
- See the Regulatory Information Appendix (RIA) in the “RoHS compliance” section of www.3M.com/Interconnect for compliance information (RIA E1 & C1 apply)

Date Modified: August 11, 2009

TS-0037-B
Sheet 1 of 2

Physical

Shell:

Material: Glass Filled Polyester (PBT)

Flammability: UL 94V-0

Color: Gray

Insert: Brass

Tape: 3M +130C Rubber Tape (3485-2X00F Only)

Screw: (2) 2-56 × .50 Roundhead Steel Zinc

Mounting Hardware: See Specification Sheet TS-0142

Environmental

Temperature Rating: -55°C to +105°C



Electronic Solutions Division
Interconnect Solutions
<http://www.3M.com/interconnects/>

3M is a trademark of 3M Company.
For technical, sales or ordering information call
800-225-5373

3M™ D Sub Junction Shell

Plastic

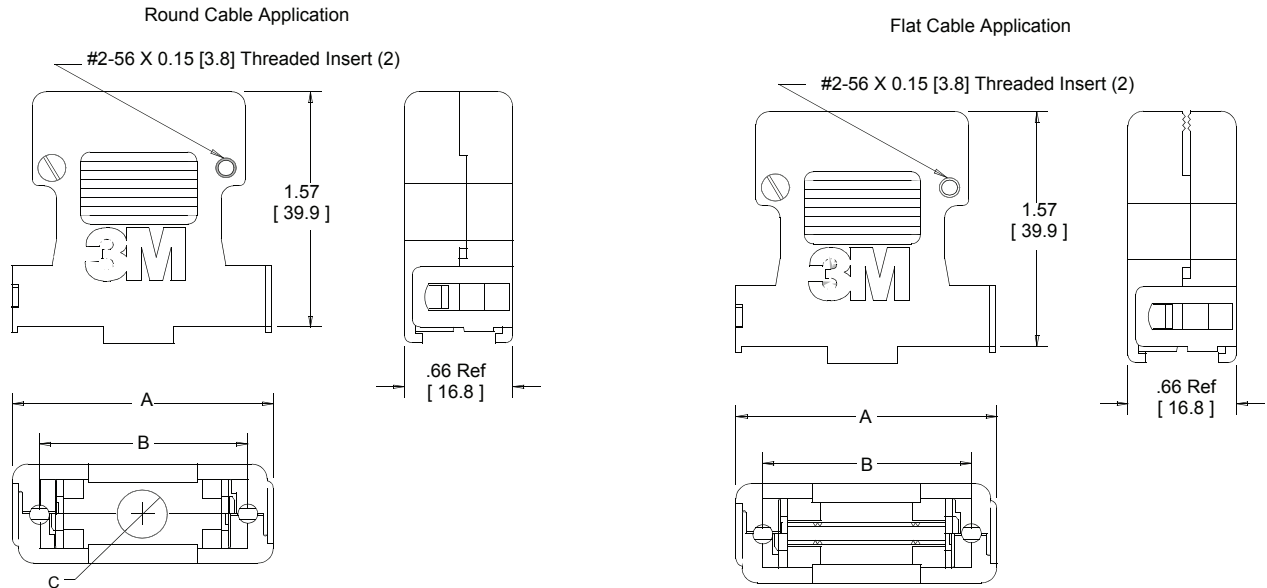


Table 1

Used On 3M Connector	Dimensions		
	A Ref	B Ref	C Ref
8209, 8309	1.30 [33.0]	0.98 [24.9]	0.27 [6.86]
8215, 8315	1.63 [41.4]	1.31 [33.3]	0.28 [7.11]
8225, 8325	2.17 [55.1]	1.85 [47.0]	0.34 [8.64]
8237, 8337	2.82 [71.6]	2.50 [63.5]	0.38 [9.65]

Inch
[mm]

Tolerance Unless Noted			
	.0	.00	.000
inch	± .1	± .01	± .005

[] Dimension for Reference Only

Notes:

- Use only with thru hole style flange on connector.
- Inserts will interfere with shell housing.
- Uses Jack Socket 3341-4 and Jack Screw 3342-2. See TS-0142.

Ordering Information

3485-2X00X

Contact Quantity:
1 = 9 Position
2 = 15 Position
3 = 25 Position
4 = 37 Position

Cable Type:
F = Flat Cable
R = Round Cable

TS-0037-B
Sheet 2 of 2

Important Notice

All statements, technical information, and recommendations related to 3M's products are based on information believed to be reliable, but the accuracy or completeness is not guaranteed. Before using this product, you must evaluate it and determine if it is suitable for your intended application. You assume all risks and liability associated with such use. Any statements related to the product which are not contained in 3M's current publications, or any contrary statements contained on your purchase order shall have no force or effect unless expressly agreed upon, in writing, by an authorized officer of 3M.

Warranty; Limited Remedy; Limited Liability.

This product will be free from defects in material and manufacture for a period of one (1) year from the time of purchase. **3M MAKES NO OTHER WARRANTIES INCLUDING, BUT NOT LIMITED TO, ANY IMPLIED WARRANTY OF MERCHANTABILITY OR FITNESS FOR A PARTICULAR PURPOSE.** If this product is defective within the warranty period stated above, your exclusive remedy shall be, at 3M's option, to replace or repair the 3M product or refund the purchase price of the 3M product. **Except where prohibited by law, 3M will not be liable for any indirect, special, incidental or consequential loss or damage arising from this 3M product, regardless of the legal theory asserted.**

**3M Electronics Solutions Division**

6801 River Place Blvd.
Austin, TX 78726-9000
U.S.A.
1-800-225-5373
www.3mconnectors.com

Please recycle. Printed in USA.
© 3M 2009. All rights reserved.

3M is a trademark of 3M Company.

Mouser Electronics

Authorized Distributor

Click to View Pricing, Inventory, Delivery & Lifecycle Information:

3M:

[3341 \(SCREWS ONLY\)](#) [3808-ER](#)