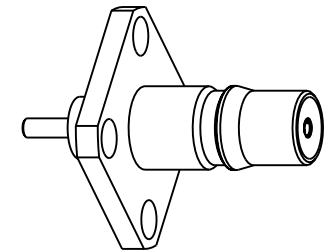


NOTES:

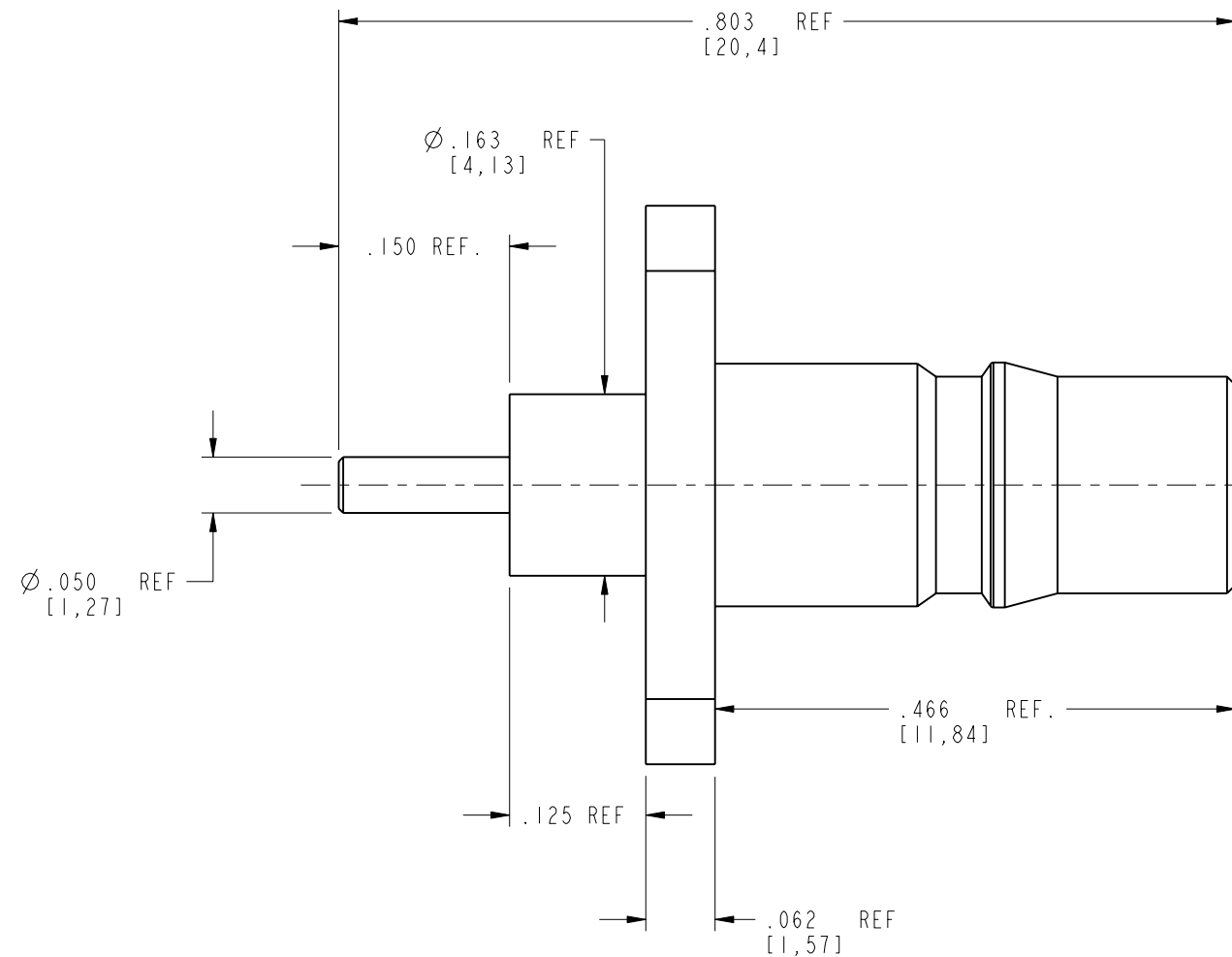
1. DO NOT SCALE THIS DRAWING.
2. MATERIALS AND FINISHES:
 BODY - BRASS, WHITE BRONZE PLATING
 CONTACT - BeCu, GOLD PLATING OVER WHITE BRONZE
 INSULATOR - PTFE
3. ELECTRICAL:
 A. IMPEDANCE: 50 OHM
 B. FREQUENCY RANGE: DC - 6 GHz
 C. VSWR(RETURN LOSS): -32 dB TO 3 GHz MAX.; -25 dB TO 6 GHz MAX.
4. MECHANICAL:
 A. DURABILITY: 500 CYCLES MIN.
 B. TEMPERATURE RANGE: -40°C - +80°C
 C. CENTER CONTACT MUST WITHSTAND A 6LB. MIN AXIAL FORCE AND A 4IN. OZ. MIN. TORQUE
5. PACKAGING:
 A. QUANTITY: SINGLE PACK
 B. MARKING: BAG TO BE MARKED
 "AMPHENOL, 930-112J-51S, AND DATE CODE"

930-112J-51S		REVISIONS			
DRAWING NO.	REV	DESCRIPTION	DATE	ECO	APPR
THIRD ANGLE PROJ.	A	RELEASE TO MFG.	8/23/04	45112	KJC

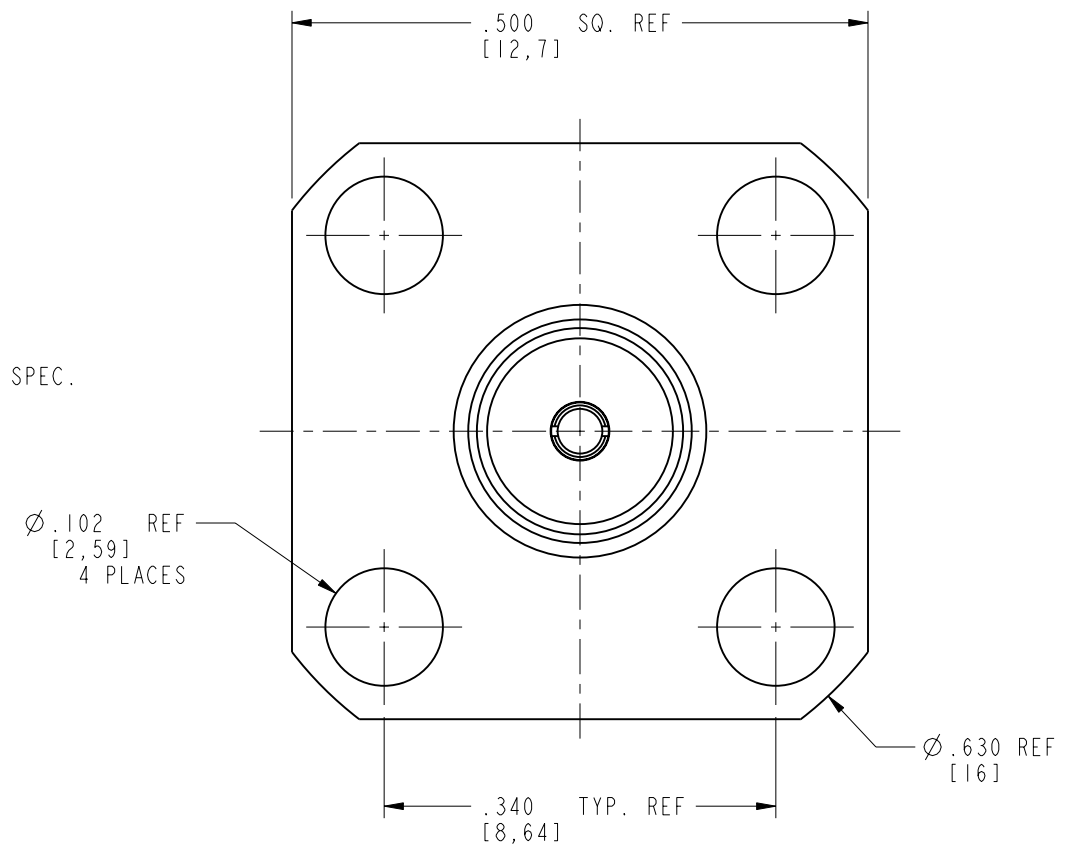
CUSTOMER OUTLINE DRAWING
 ALL OTHER SHEETS ARE FOR INTERNAL USE ONLY



SCALE 2.000



QMA INTERFACE
 PER AMPHENOL RF SPEC.
 349-50692



UNLESS OTHERWISE SPECIFIED, DIMENSIONS ARE IN INCHES AND TOLERANCES ARE: 2 PLACE DECIMAL ±.015 (0,381 mm) 3 PLACE DECIMAL ±.005 (0,127 mm) ANGLES ± 1°	MATERIAL	DRAWN K. CAPOZZI	DATE 8/13/03	Amphenol RF Danbury, CT, USA Tainan, Taiwan Shenzhen, China www.amphenolrf.com	
	REFERENCE EAR #798.1 615X-1853-200 ASSYF4_QMA	ENGINEER K. CAPOZZI	DATE 8/13/03		
NOTICE - These drawings, specifications, or other data (1) are, and remain the property of Amphenol Corp. (2) must be returned upon request; and (3) are confidential and not to be disclosed to any person other than those to whom they are given by Amphenol Corp. The furnishing of these drawings, specifications, or other data by Amphenol Corp., or to any other person to anyone for any purpose is not to be regarded by implication or otherwise in any manner licensing, granting rights or permitting such holder or any other person to manufacture, use or sell any product, process or design, patented or otherwise, that may in any way be related to or disclosed by said drawings, specifications, or other data.		APPROVED O. BARTHELMES	DATE 8/23/04	SCALE: 6.0:1	SHEET 2 OF 2
		CAD FILE I:\QMA\930-112J-51S	CODE ID 74868	DWG SIZE B	DRAWING NO. 930-112J-51S

Mouser Electronics

Authorized Distributor

Click to View Pricing, Inventory, Delivery & Lifecycle Information:

[Amphenol:](#)

[930-112J-51S](#)