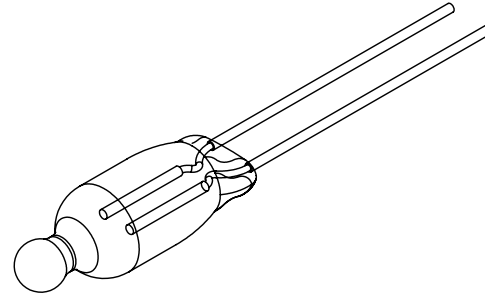
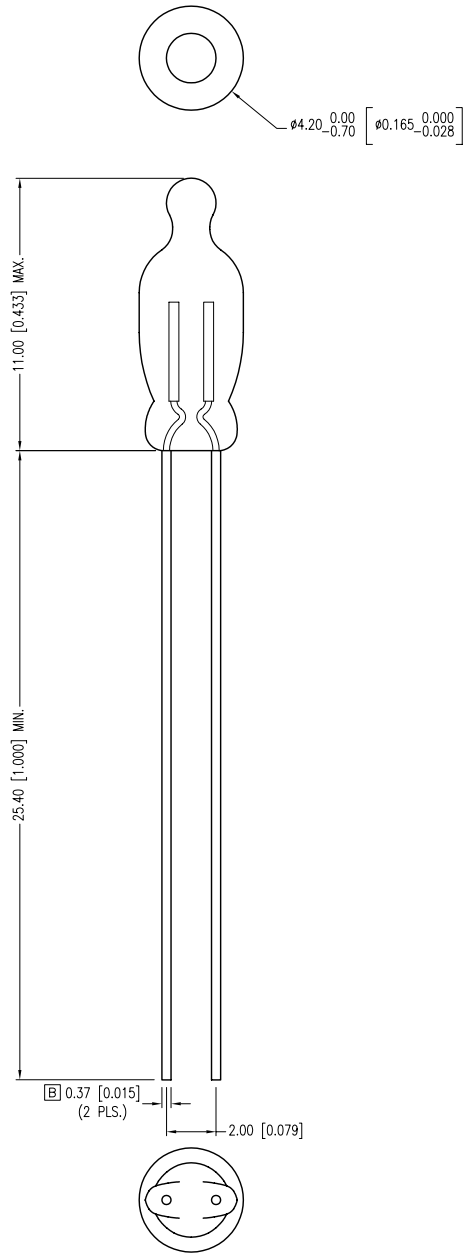


PART NUMBER	GT-NE4H1125	REV.	C
DATE	E.C.N. NUMBER AND REVISION COMMENTS		REV.
12.13.06	E.C.N. #11148.		A
06.11.09	E.C.N. #11572.		B
08.24.11	E.C.N. #11748/10BRDR. & REDRAWN.		C



ⓑ ELECTRO-OPTICAL CHARACTERISTICS $T_a=25^\circ\text{C}$ $I_f=20\text{mA}$

PARAMETER	MIN	TYP	MAX	UNITS
OPERATING VOLTAGE	90		115	V
STARTING VOLTAGE (AC)			95	V
STARTING VOLTAGE (DC)			135	V
OPERATING CURRENT		1.7		mA
LIGHT OUTPUT		65		mLM
LIFE HOURS		20,000		HOURS

- Ⓒ ⓑ NOTES
- EXTERNAL RESISTOR VALUE 33k OHMS
 - LEAD LENGTH 25mm MIN.
 - LEAD SPACING 2mm TYP
 - MINIMUM VALUE IS NOT GUARANTEED.
 - LEAD FINISH, NO SHINY TIN COATING.

*UNLESS OTHERWISE SPECIFIED TOLERANCES PER DECIMAL PRECISION ARE: X=±1 (±0.039), X.X=±0.5 (±0.020), X.XX=±0.25 (±0.010), X.XXX=±0.127 (±0.005). LEAD SIZE=±0.05 (±0.002), LEAD LENGTH=±0.75 (±0.030). MIN= $^{+0.00}_{-0.00}$ DECIMAL PRECISION MAX.= $^{+0.00}_{-0.00}$ DECIMAL PRECISION UNCONTROLLED DOCUMENT



290 E. HELEN ROAD
 PALATINE, IL 60067-6976
 PHONE: +1.847.359.2790
 FAX: +1.847.359.6538
 WEB: WWW.LUMEX.COM

NEON LAMP, T-4mm HIGH BRIGHTNESS.

THE SPECIFICATIONS MAY CHANGE AT ANY TIME WITHOUT NOTICE DUE TO NEW MATERIALS OR PRODUCT IMPROVEMENT.

CONFIDENTIAL INFORMATION
 THE INFORMATION CONTAINED IN THIS DOCUMENT IS THE PROPERTY OF LUMEX INC. EXCEPT AS SPECIFICALLY AUTHORIZED IN WRITING BY LUMEX INC., THE HOLDER OF THIS DOCUMENT SHALL KEEP ALL INFORMATION CONTAINED HEREIN CONFIDENTIAL AND SHALL PROTECT SAME IN WHOLE OR IN PART FROM DISCLOSURE AND DISSEMINATION TO ALL THIRD PARTIES.

DATE:	08.24.11	DRAWN BY:	AB
PAGE:	1 OF 1	CHKD BY:	KF
SCALE:	NTS	APRVD BY:	SS
UNIT:	mm [INCH]		Ⓟ

Mouser Electronics

Authorized Distributor

Click to View Pricing, Inventory, Delivery & Lifecycle Information:

Lumex:

[GT-NE4H1125](#)