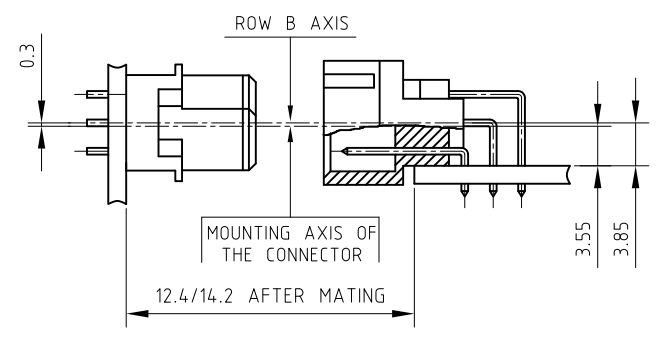
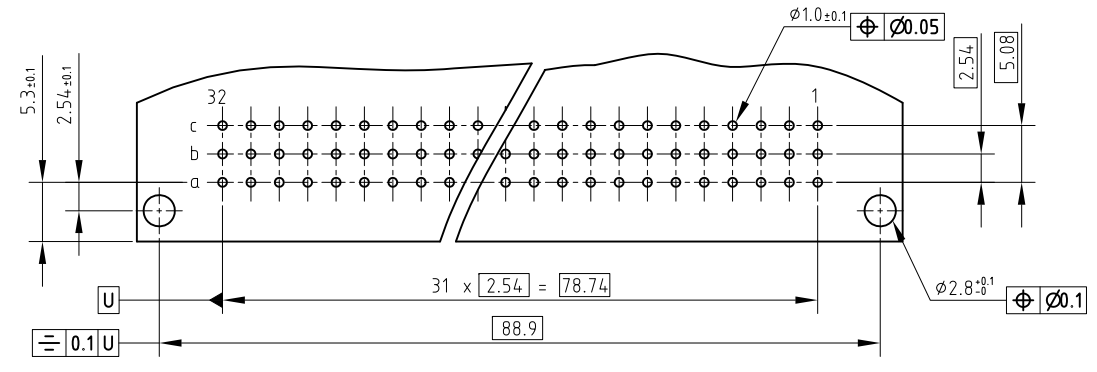


PCB DRILLING DETAILS



TECHNICAL SPECIFICATION

HOUSING MATERIAL : HIGH TEMPERATURE THERMOPLASTIC POLYESTER UL94V-0, NATURAL
 HOUSING CAN WITHSTAND EXPOSURE TO 260°C PEAK TEMPERATURE FOR 30 SECONDS IN A CONVECTION, INFRARED OR VAPOUR REFLOW SOLDER APPLICATION

CONTACT / HARPOON MATERIAL : COPPER ALLOY

CONTACT ACTIVE ZONE PLATING : AU/GXT™ OVER NICKEL

CONTACT TERMINATION ZONE/HARPOON PLATING

LEAD FREE VERSION : TIN (PURE MATTE) OVER NI

ELECTRICAL DATA

CURRENT RATING AT 20°C : 1.5 A

CURRENT (I MAX) : 2 A

TEMPERATURE RANGE : -55°C/+125°C

CONTACT RESISTANCE : ≤ 20mΩ

INSULATION RESISTANCE : ≥ 10⁶ MΩ

TEST VOLTAGE (rms) : 1000V

MECHANICAL DATA

INSERTION FORCE PER CONTACT : ≤ 0.94N

EXTRACTION FORCE PER CONTACT : ≥ 0.15N

REFERENCE SPECIFICATIONS : DIN 41612 / IEC 603-2

SERIES	8609	3	96	7	1	13	B	5	5	F1LF
ROWS FITTED WITH CONTACTS										
Rows a b c	3		96							
Rows a - c	4		64							
NUMBER OF CONTACTS										
TYPE OF INSULATOR										
3 ROW MALE INSULATOR	7									
METHOD OF MOUNTING										
STANDARD MOUNTING - STYLE C/2	1									
TERMINATION										
ANGLED SPILL	13									
OPTIONS										
HIGH TEMPERATURE HOUSING (NATURAL)	B									
HIGH TEMPERATURE HOUSING (NATURAL) WITH HARPOONS	T									
PERFORMANCE CLASS										
DIN 41612 CLASS 3	4									
DIN 41612 CLASS 2	5									
DIN 41612 CLASS 1	6									
AS PER MIL C 55302/ JSS 50808	8									
PITCH PER ROW	2.54									
SPECIAL CODE : F1LF	HIGH TEMPERATURE INSULATOR, LEADFREE VERSION									

- NOTES:
- THE "LF" PRODUCTS MEET EUROPEAN UNION DIRECTIVES AND OTHER COUNTRY REGULATIONS AS DESCRIBED IN GS-47-0004.
 - LEAD FREE OR RoHS DIRECTIVE LABELING TO BE PROVIDED AS PER GS-14-920 FOR LEAD FREE VERSION.
 - FOR GENERAL CHARACTERISTICS AND RoHS INFORMATION, REFER DRAWING C-8609-0000A.

mat'l. code SEE TECH. SPEC.		surface ISO 1302 ✓		tolerance ISO 406 ISO 1101		projection mm		product family 8609			
ltr		ecn no dr		date		tolerances unless otherwise specified		title			
A		-		MJA		2016-11-29		0.1		DIN STANDARD HEADER	
-		-		-		-		mm		ANGLED SPILL DIN 41612 STYLE-C	
-		-		-		-		0°±1°		(HIGH TEMPERATURE VERSION)	
-		-		-		-		scale 3:2		dwg no	
-		-		-		-		Amphenol FCI		sheet 1 of 1 size	
-		-		-		-		-		C-8609-2360 A3	
-		-		-		-		-		type	
-		-		-		-		-		Product Customer Drawing	
sheet index		revision sheet		A 1							

Mouser Electronics

Authorized Distributor

Click to View Pricing, Inventory, Delivery & Lifecycle Information:

[FCI / Amphenol:](#)

[86094647113T55F1LF](#) [86093967113T55F1LF](#) [86094647113B55F1LF](#) [86093967113B55F1LF](#)