

REFERENCE SPECIFICATIONS

-NFC 93425 (in compliance with HE 507)

PHYSICAL CHARACTERISTICS

- INSULATOR MATERIAL: THERMOPLASTIC .UL94V0
- ACCESSORIES: BRASS
- SHELLS: STEEL

ELECTRICAL CHARACTERISTICS

- CONTACT/CONTACT : >=1000 V
- CONTACT/GROUND : >=1200 V
- INSULATION RESISTANCE: >=5000 MOhms

ENVIRONMENTAL CHARACTERISTICS

- CLIMATIC CATEGORY: 55/125/21
- TEMPERATURE RANGE -55°C TO +125°C
- DAMP HEAT STEADY STATE 21 DAYS
- SALT SPRAY 24 HOURS

MECHANICAL CHARACTERISTICS

- RETENTION AGAINST TORQUE:
 - Threaded insert: 0.7 N.m minimum
 - Female screw : 0.5 N.m minimum

NOTE RoHS INFORMATION

- The "LF" products meet european union Directives and other country regulations as described in GS-22-008.
- Shell plating :2 to 4 μm Cu+ Ni + 3 to 10 μm Sn(pure bright)
- Accessories: Sn pure bright + nickel
- Packaging spec: See GS-14-920

Series **DBL5W5SA00LF**

Shell size: E A B C
see sheet 2

Front accessory definition
see sheet 2

- Blank :without accessory
- L : Threaded insert M3
- O : Threaded insert UNC 4-40
- V : Female screw UNC 4-40

Layout of contacts (see sheet 3)

Contacts

S :Socket

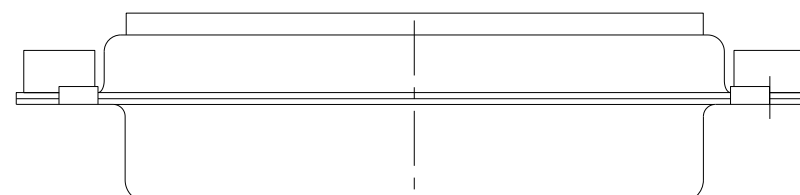
PCB accessory definition

A witout accessory on PCB

Power contacts

00 without power contact

See note RoHS



| | | | | | | | | | |
|---------------------------------------|---------|----------------|------------|--------------|----------------------------|----------|------------------|-----------|----------|
| spec ref | dr | Pro Engineer 1 | 2015/06/16 | projection | mm | size | A2 | scale | 2:1 |
| tolerance std | eng | J Dalbard | 2016/09/13 | | | ecn no | ECN-ELXF-24942-1 | rel level | Released |
| TOLERANCES UNLESS OTHERWISE SPECIFIED | chr | J Dalbard | 2016/09/19 | | | | | | |
| | appr | Aymeric Soudy | 2016/09/20 | | | | | | |
| surface | linear | 0.X | ±0.3 | Amphenol FCI | SUB FEMALE DW | cat. no. | C01-8639-2311 | rev | E |
| | | 0.XX | ±0.10 | | full power without contact | | | | |
| | angular | 0° | ±2° | | | | | | |

FIRST ANGLE PROJECTION

B

C

Amphenol FCI

E

© 2016 AFCI

F

A

B

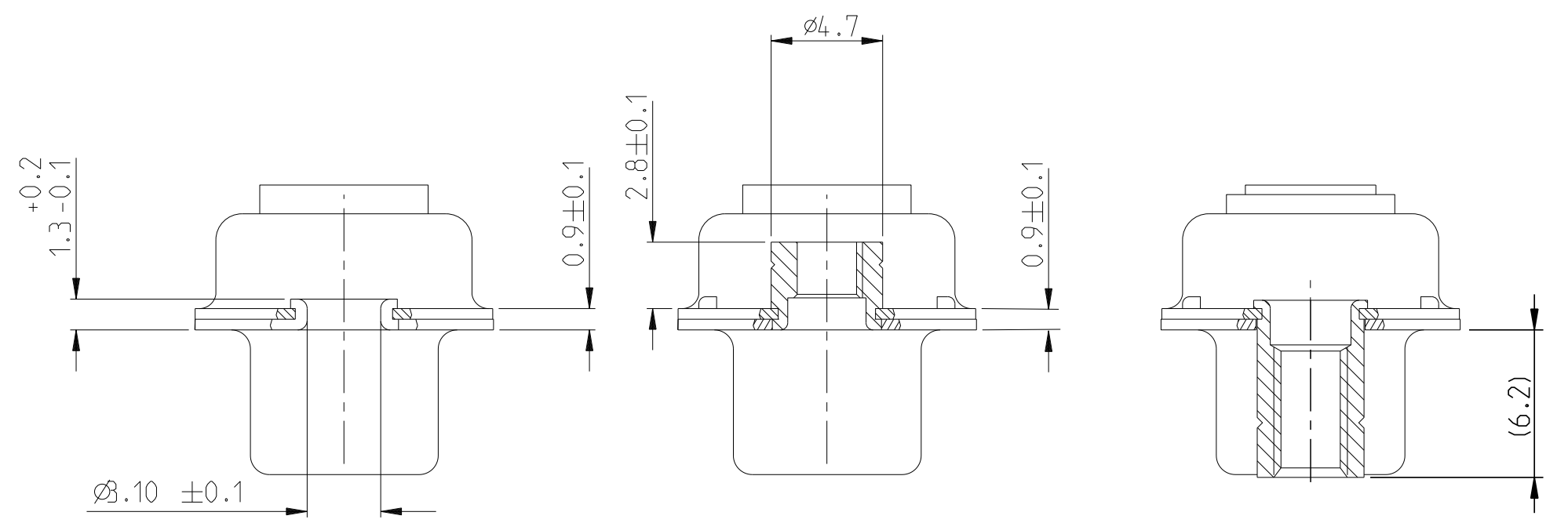
C

D

E

FIRST ANGLE PROJECTION

FIRST ANGLE PROJECTION



| | | | |
|-----------------|---------------|----------------------------------|-------------------------|
| FRONT ACCESSORY | Blank without | L insert M3 O insert UNC 4.40 | V Female screw UNC 4-40 |
| PCB ACCESSORIES | A without | A without | A without |

| PART NUMBER | FRONT ACCESSORY | PCB ACCESSORY |
|---------------|-----------------------|---------------|
| D*xW xSA00LF | WITHOUT | WITHOUT |
| D*VxW xSA00LF | Female screw UNC 4-40 | WITHOUT |
| D*LxW xSA00LF | Insert M3 | WITHOUT |
| D*OxW xSA00LF | Insert UNC 4-40 | WITHOUT |

shell size LAYOUTS

| | |
|---|-----|
| E | 2V2 |
| A | 3V3 |
| A | 3W3 |
| B | 5W5 |
| C | 8W8 |

SCALE:4

Amphenol FCI

© 2016 AFCI

| | | | | | | |
|---------------------------------------|--------------------|---------------------------------------|----------------------------|---------------|--------------------------|--------------------|
| spec ref | dr Pro Engineer 1 | 2015/06/16 | projection | mm | size A2 | scale 2:1 |
| tolerance std | eng J Dalbard | 2016/09/13 | | | ecn no ECN-ELX-F-24942-1 | rel level Released |
| TOLERANCES UNLESS OTHERWISE SPECIFIED | chr J Dalbard | 2016/09/19 | | | | |
| | appr Aymeric Soudy | 2016/09/20 | | | | |
| surface | linear | 0.X ±0.3 0.XX ±0.10 0.XXX ±0.05 | Amphenol FCI | SUB FEMALE DW | dwg no C01-8639-2311 | rev E |
| | angular | 0° ±2° | full power without contact | cat. no. | Product - Customer Drw | sheet 2 of 4 |

PDS: Rev :E

STATUS:Released

Printed: Sep 28, 2016

FIRST ANGLE PROJECTION

2V2

3V3

3W3

FIRST ANGLE PROJECTION

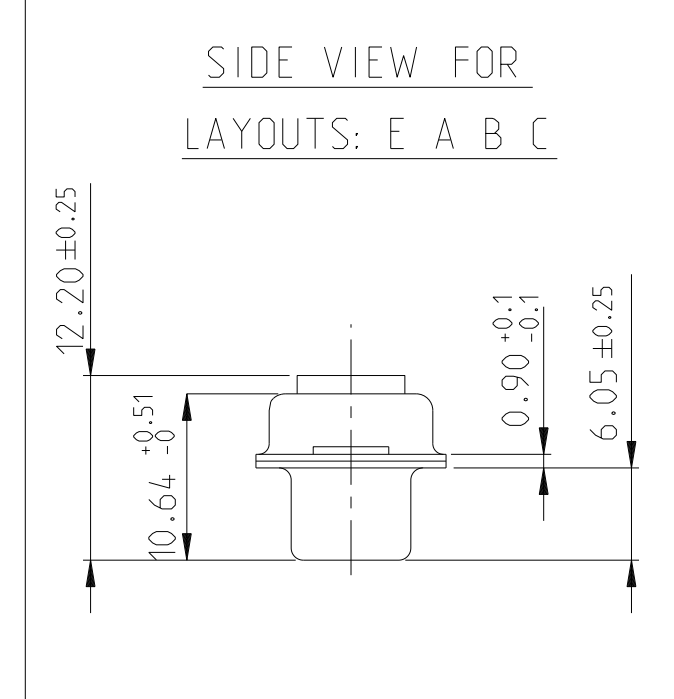
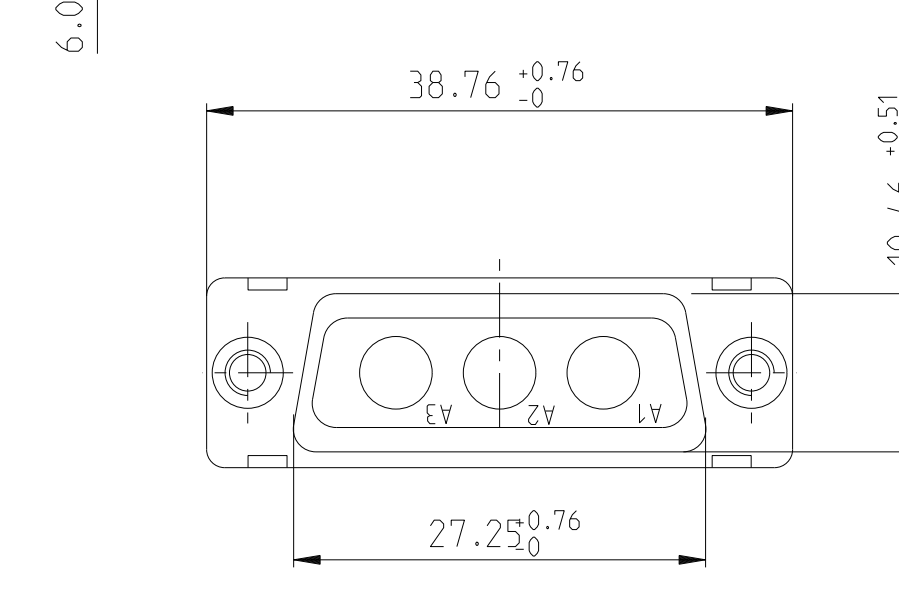
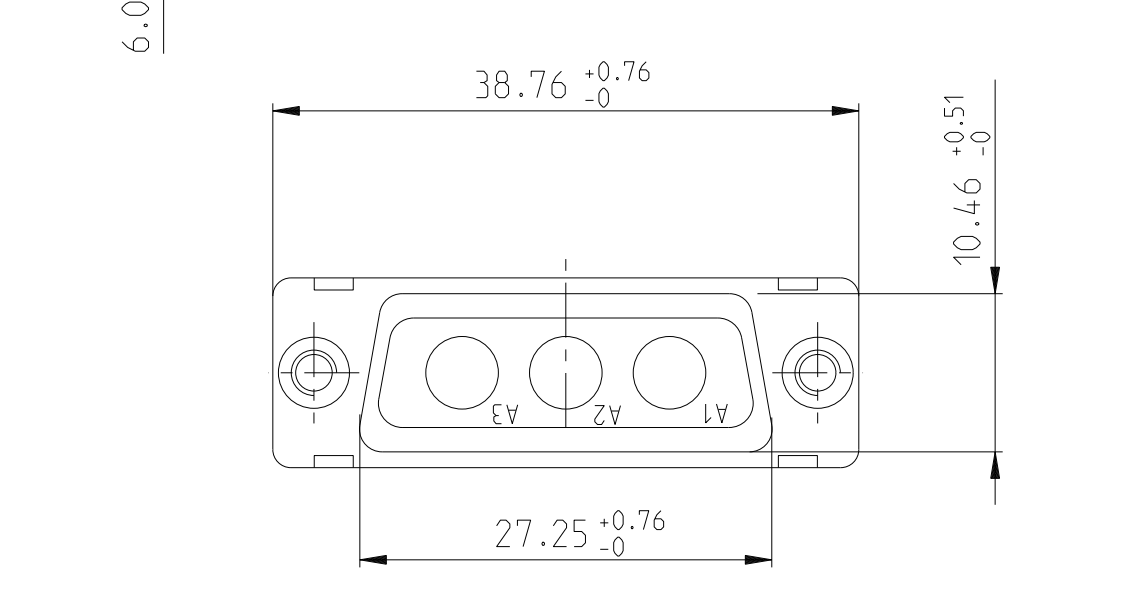
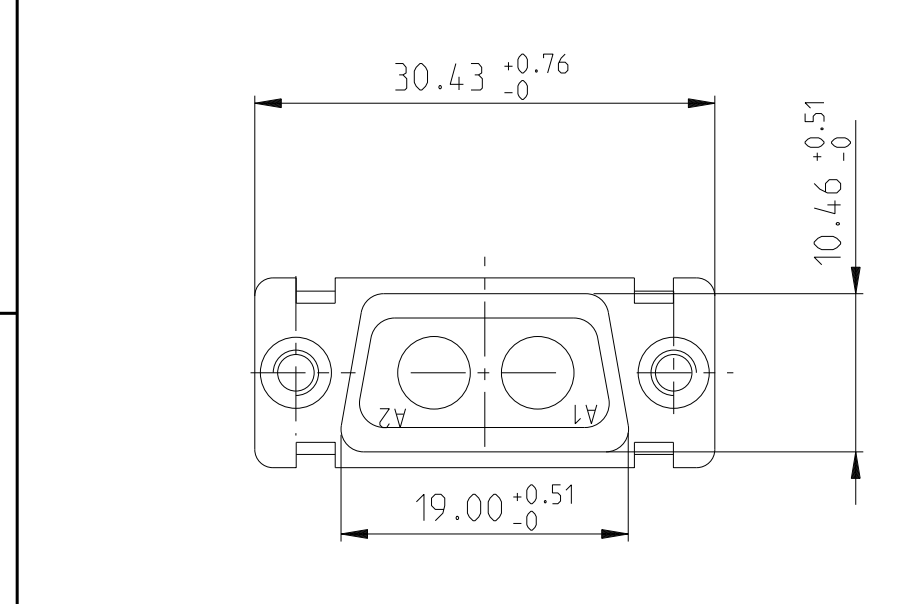
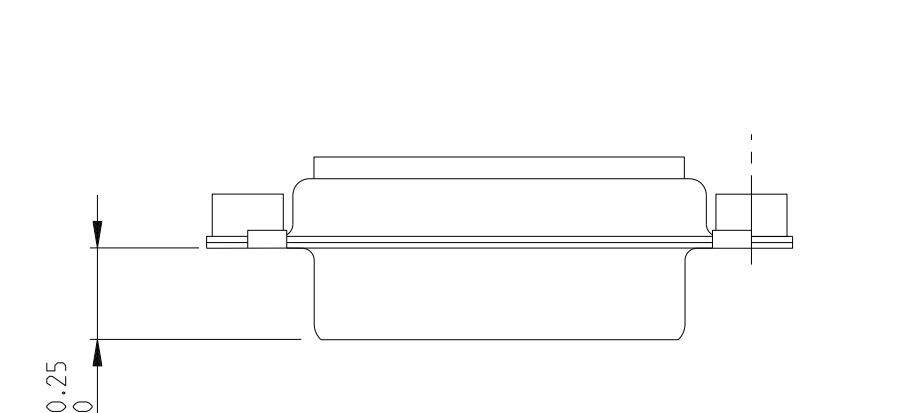
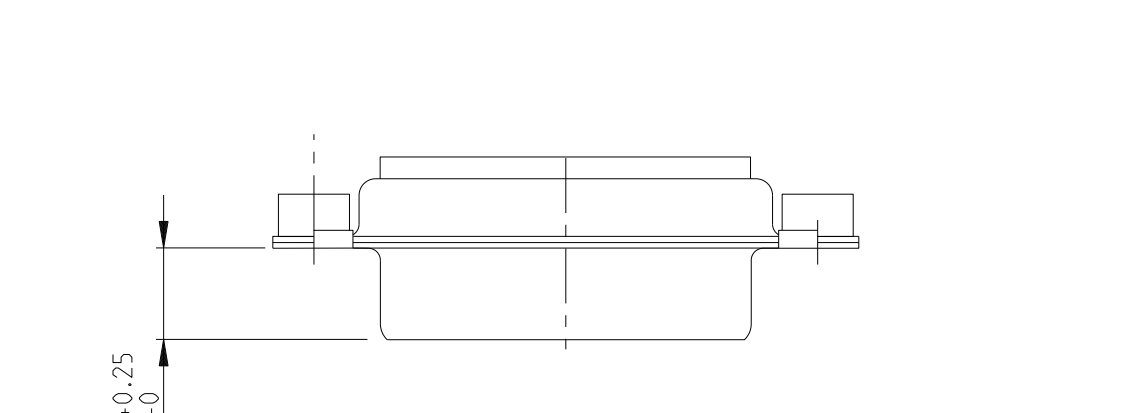
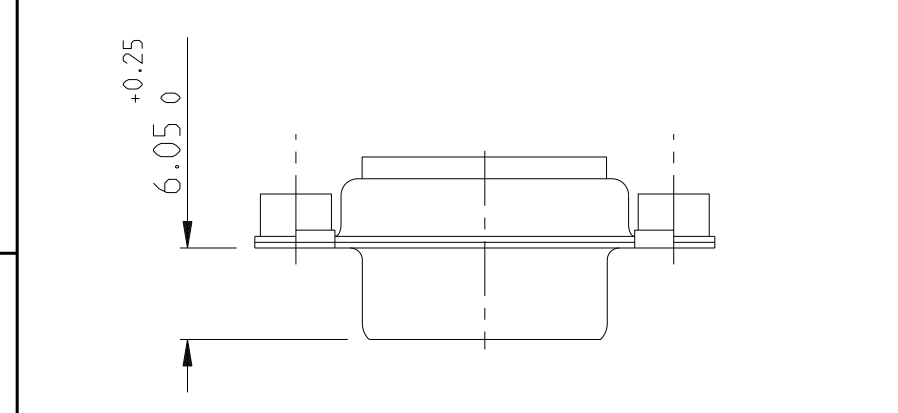
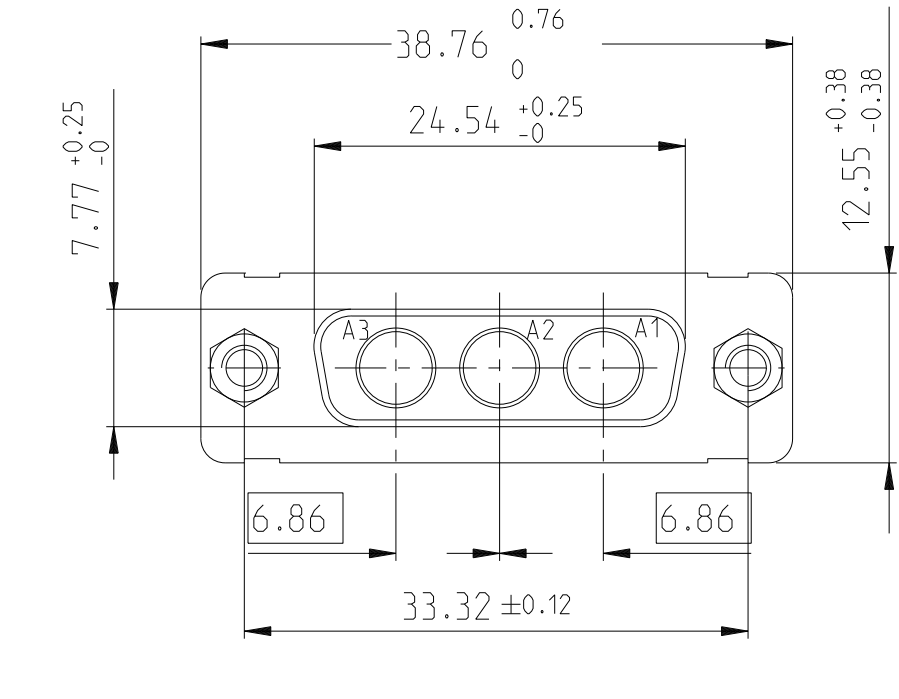
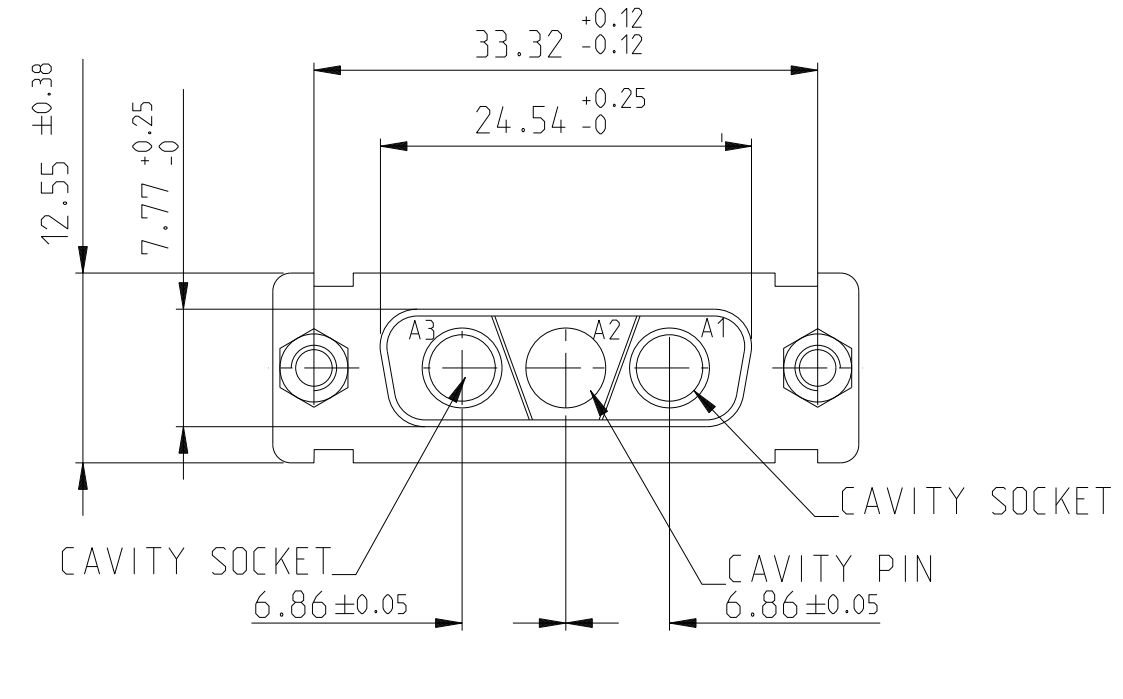
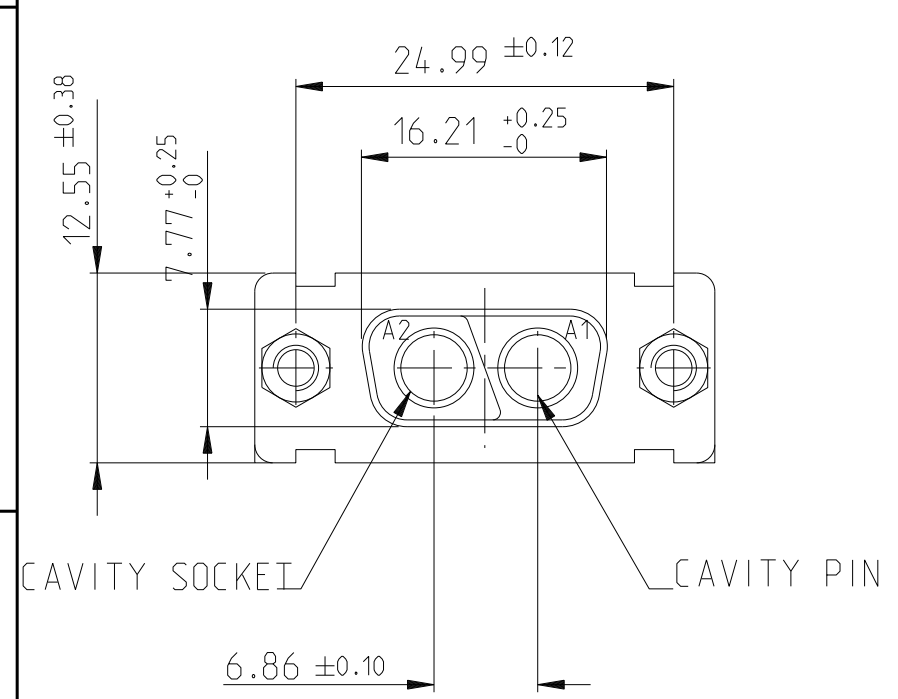
B

C

D

E

F



A

B

C

D

E

F

FIRST ANGLE PROJECTION

Amphenol FCI

© 2016 AFCI

| | | | | | | | | | |
|---------------------------------------|---------|----------------|------------|----------------------------|---------------|----------|------------------|------------------------|--------------|
| spec ref | dr | Pro Engineer 1 | 2015/06/16 | projection | mm | size | A2 | scale | 2:1 |
| tolerance std | eng | J Dalbard | 2016/09/13 | FIRST ANGLE PROJECTION | ← | ecn no | ECN-ELXF-24942-1 | rel level | Released |
| TOLERANCES UNLESS OTHERWISE SPECIFIED | chr | J Dalbard | 2016/09/19 | | | | | | |
| | appr | Aymeric Soudy | 2016/09/20 | | | | | | |
| surface | linear | 0.X | ±0.3 | product family | - | dwg no | C01-8639-2311 | rev | E |
| | | 0.XX | ±0.10 | Amphenol FCI | SUB FEMALE DW | cat. no. | - | Product - Customer Drw | sheet 3 of 4 |
| | angular | 0° | ±2° | full power without contact | | | | | |

PDS: Rev :E

STATUS:Released

Printed: Sep 28, 2016

FIRST ANGLE PROJECTION

B

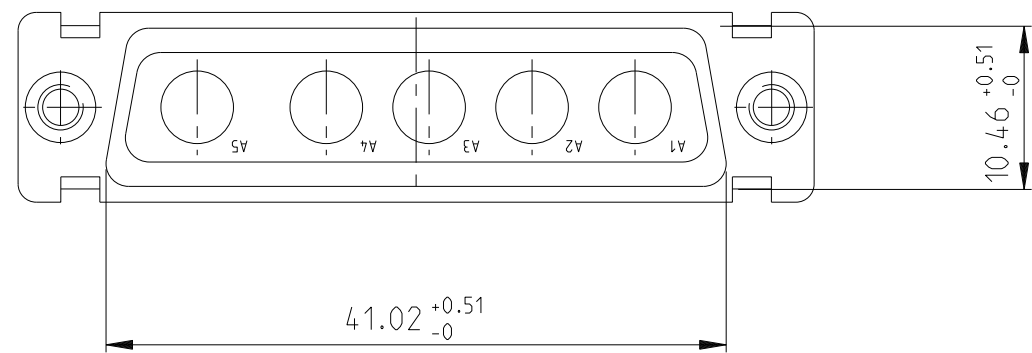
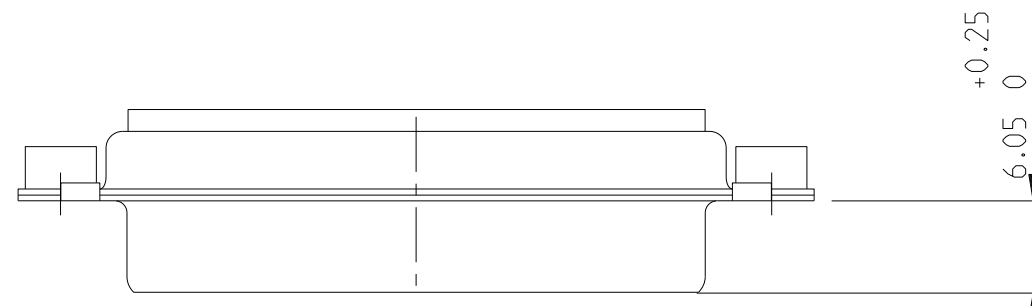
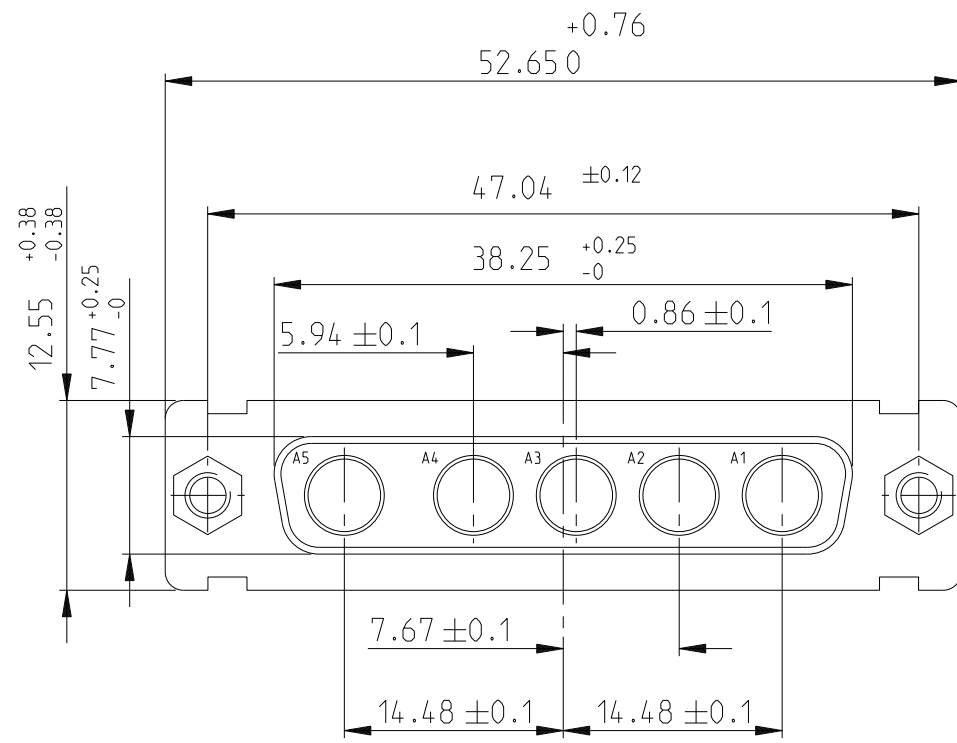
C

D

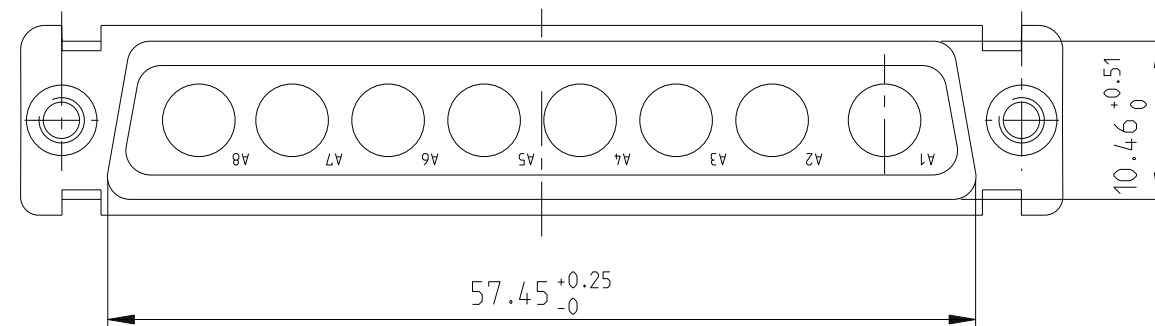
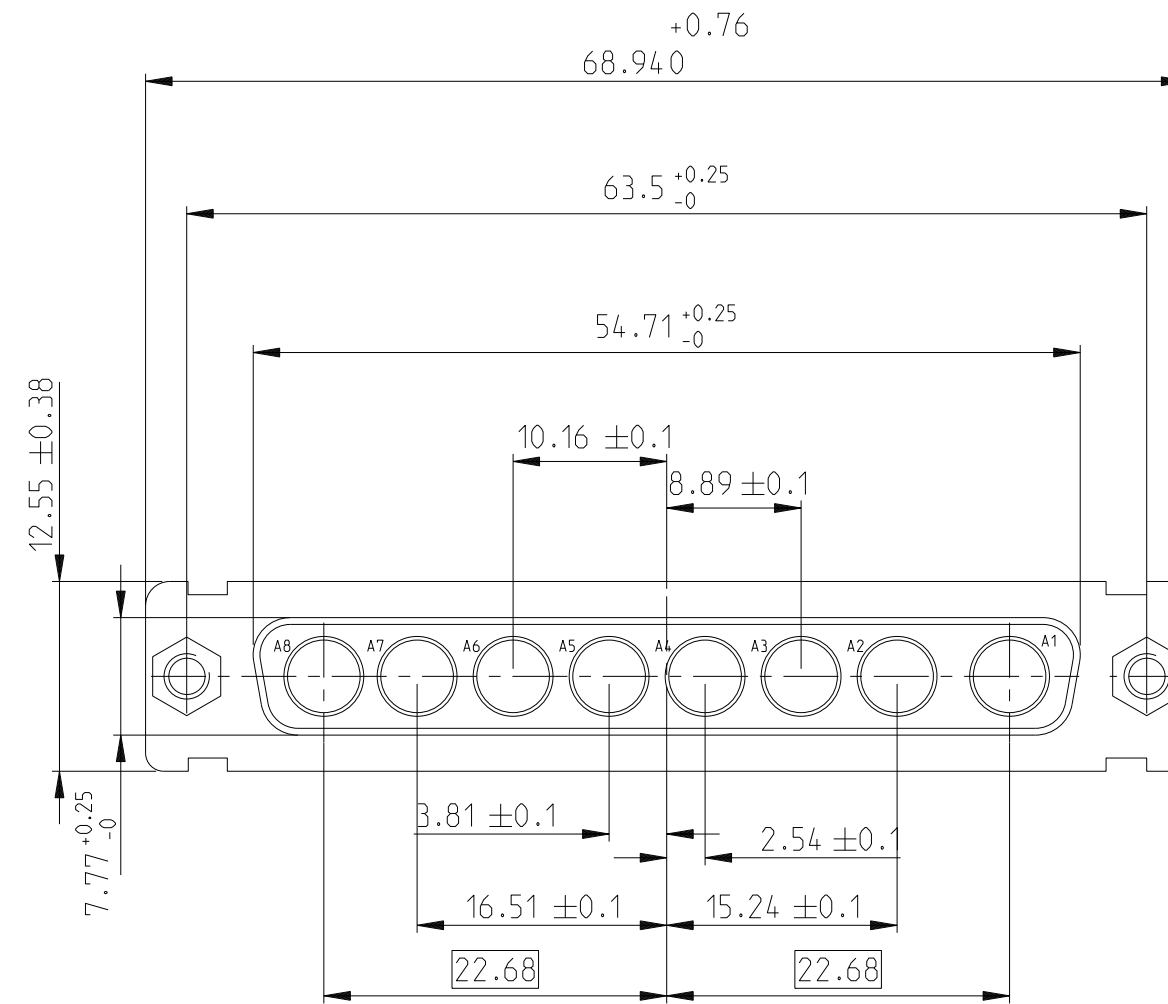
E

F

5W5



8W8



A

B

C

D

E

FIRST ANGLE PROJECTION

Amphenol FCI

© 2016 AFCI

| | | | | | | | | | | |
|---------------------------------------|---------|----------------|------------|------------------------|----|------------------------|----------------------------|--------------|-----|--|
| spec ref | dr | Pro Engineer 1 | 2015/06/16 | projection | mm | size | A2 | scale | 2:1 | |
| tolerance std | eng | J Dalbard | 2016/09/13 | FIRST ANGLE PROJECTION | ← | ecn no | ECN-ELXF-24942-1 | | | |
| TOLERANCES UNLESS OTHERWISE SPECIFIED | chr | J Dalbard | 2016/09/19 | | | rel level | Released | | | |
| | appr | Aymeric Soudy | 2016/09/20 | | | product family | - | | | |
| surface | linear | 0.X | ±0.3 | Amphenol FCI | | title | SUB FEMALE DW | | | |
| | | 0.XX | ±0.10 | | | part no | C01-8639-2311 | | | |
| | | 0.XXX | ±0.05 | | | description | full power without contact | | | |
| | angular | 0° | ±2° | | | cat. no. | - | | | |
| | | PDS: Rev :E | | STATUS:Released | | Product - Customer Drw | | sheet 4 of 4 | | |
| | | | | Printed: Sep 28, 2016 | | | | | | |

Mouser Electronics

Authorized Distributor

Click to View Pricing, Inventory, Delivery & Lifecycle Information:

[FCI / Amphenol:](#)

[DA3W3SA00LF](#) [DA3V3SA00LF](#) [DB5W5SA00LF](#) [DC8W8SA00LF](#) [DE2V2SA00LF](#)