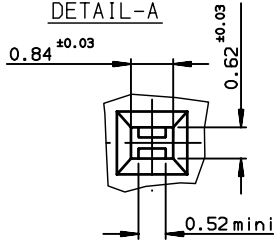
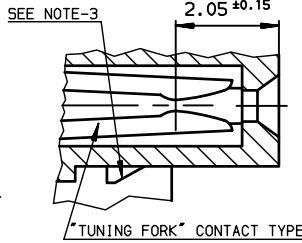


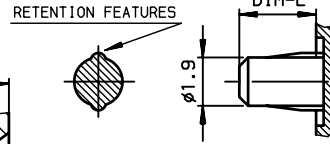
DETAIL-A



SECTION-FF



DETAIL OF PRESS-IN PEGS



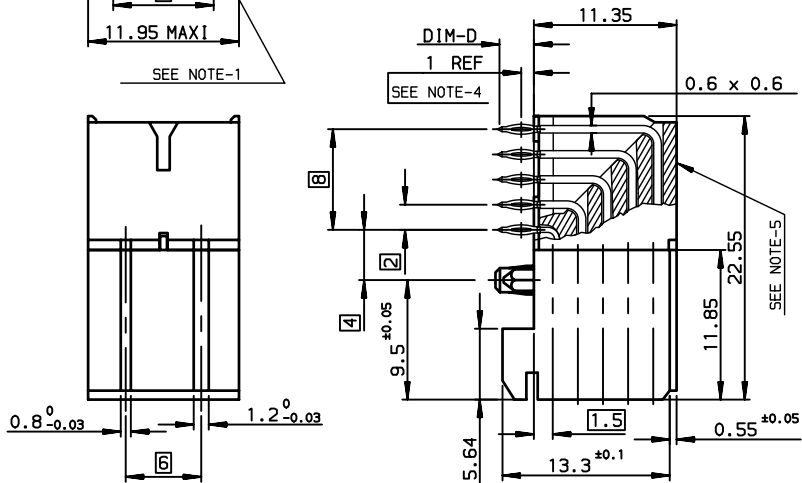
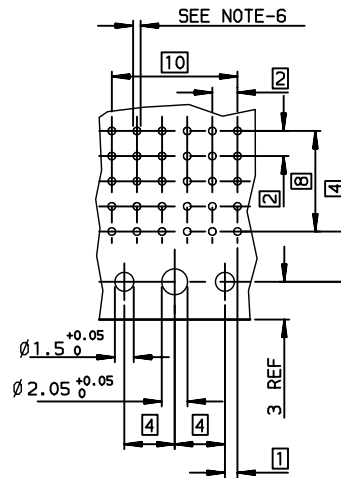
TIN LEAD PART NUMBER

| | | |
|-----------------------------|---------------|-------------|
| Part Number: HM1F51FDP000H6 | | |
| TERMINATION TYPE | D = 2.90 ±0.3 | L = 3 ±0.05 |

LEAD-FREE PART NUMBER

| | | |
|-------------------------------|---------------|-------------|
| Part Number: HM1F51FDP000H6LF | | |
| TERMINATION TYPE | D = 2.90 ±0.3 | L = 3 ±0.05 |

LAYOUT FOR P.C.B



NOTE-1: PRESS-IN RETENTION PEG

NOTE-2: CONNECTORS WITH PCB=2.4mm ARE COMPATIBLE WITH WIDE AND NARROW BODIES

NOTE-3: PLUG FOR CODING KEY FIXING

NOTE-4: EYE OF THE NEEDLE PRESS-FIT CTS TYPE

NOTE-5: FLAT ROCK INSERTION TOOLING IN PCB, SEE DRW REF:C-8626-1003

NOTE-6: METALIZED HOLE DEFINITION,SEE GS-12-447

NOTE-7: IF SUFFIX "P" IS ADDED IN P/N, PACKAGING IS IN TRAYS, BUT CONNECTOR MARKING IS WITHOUT "P"
Example : HM1FxxxxxxxH6PLF, marking:HM1FxxxxxxxH6LF

GENERAL CHARACTERISTICS AND ROHS INFORMATIONS:

SEE GS-12-447

European Views

| | | | | |
|---------------------------------------|----------|-------------------------|-----------------------------------|------------------|
| www.fciconnect.com | | surface ISO 1302 ✓ | tolerance std ISO 406 ISO 1101 | projection mm |
| TOLERANCES UNLESS OTHERWISE SPECIFIED | | | | |
| Dr | CHAMPION | 1991/09/25 | ANGULAR | 0.X ±0.1 |
| Eng | CHAMPION | 1991/09/25 | LINEAR | 0.XX ±0.1 |
| Chr | LEGARE | 1991/09/25 | 0.XX' ±2' | 0.XXX ±0.1 |
| Appr | LEGARE | 1991/09/25 | Product family | METRAL |
| size | | | | A3 |
| Scale | | | | 1.5 |
| ECN | | | | LS07-0266 |
| Spec ref | | | | - |
| title | | METRAL FEMALE 5R 30 WAY | | Rev. |
| RA PF/ PRESS-IN PEG | | C-8626-0072 | | G |
| catalog no | | CUSTOMER | | sheet 1 of 1 |

| rev | ecn no | dr | date |
|-----|-----------|-----|------------|
| C | - | SPE | 2002/09/23 |
| D | LS05-004 | MLE | 2005/02/17 |
| E | LS06-0095 | LGO | 2006/06/30 |
| F | LS06-0159 | MLE | 2006/10/16 |
| G | LS07-0266 | MLE | 2007/11/06 |
| - | - | - | - |
| - | - | - | - |

Mouser Electronics

Authorized Distributor

Click to View Pricing, Inventory, Delivery & Lifecycle Information:

[FCI / Amphenol:](#)

[HM1F51FDP000H6PLF](#)