

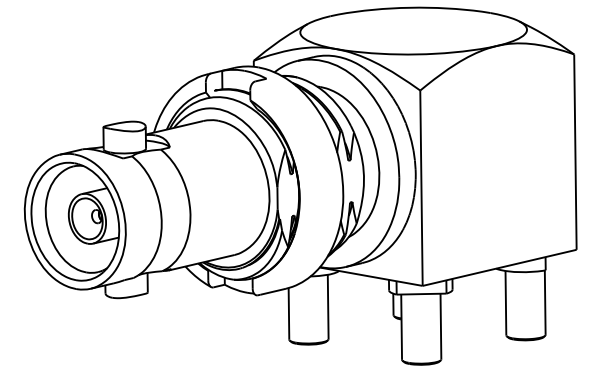
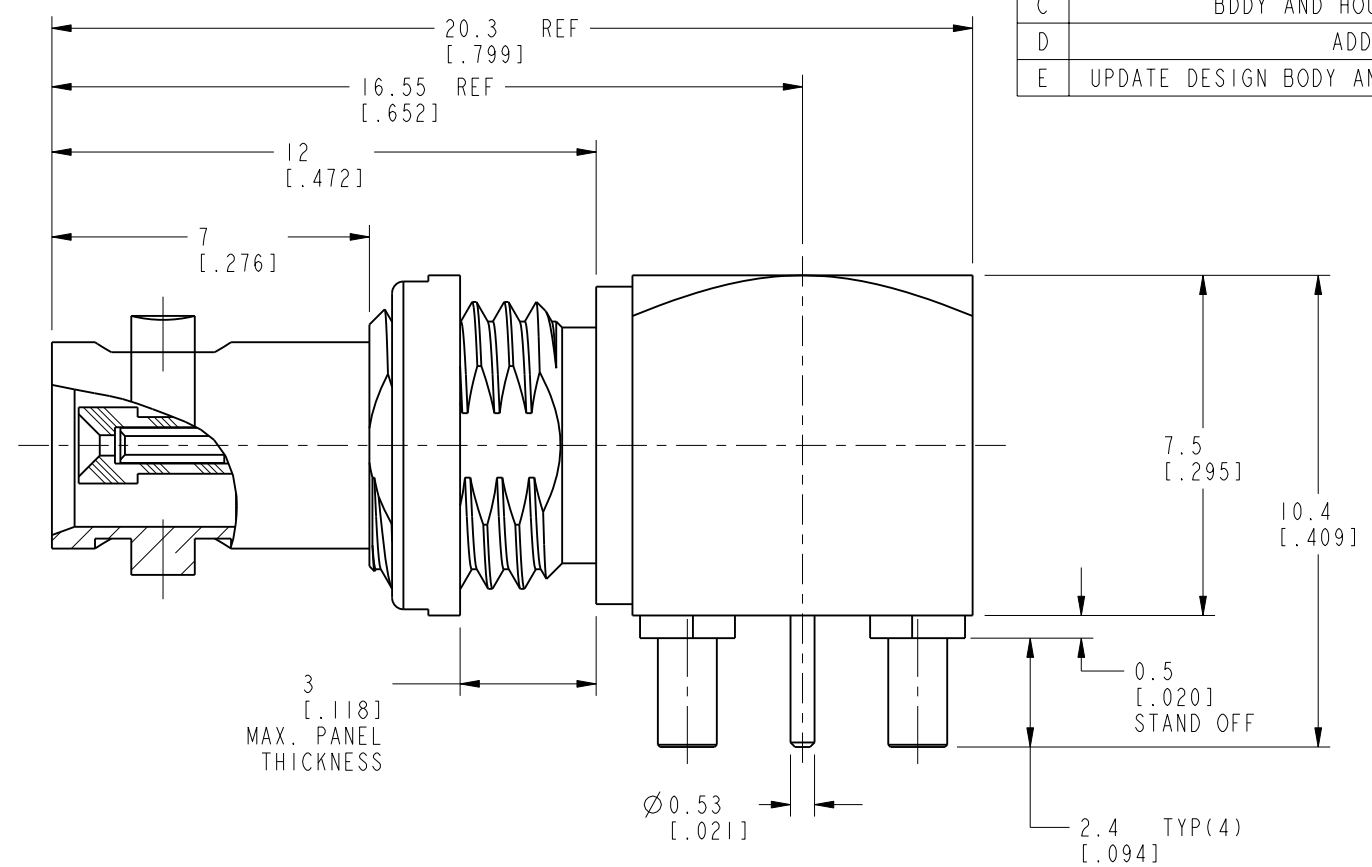
NOTES:

1. MATERIALS AND FINISHES:  
 BODY - BRASS, NICKEL PLATING  
 HOUSING - BRASS, GOLD PLATING  
 CONTACT - BeCu, GOLD PLATING  
 INSULATORS - PTFE, NATURAL
2. ELECTRICAL:  
 A. IMPEDANCE: 75 OHMS  
 B. FREQUENCY RANGE: DC - 4.5 GHz  
 C. RETURN LOSS : -25 dB MIN AT 3 GHz  
 D. DIELECTRIC WITHSTANDING VOLTAGE: 1000 VRMS, MIN.  
 E. INSULATION RESISTANCE: 10,000 MEGOHMS MIN
3. MECHANICAL:  
 A. DURABILITY: 500 CYCLES MIN.
4. ENVIRONMENTAL:  
 A. THERMAL SHOCK PER MIL-STD-202 METHOD 107  
 TEST CONDITION B (EXCEPT HIGH TEMP @200° C)  
 B. VIBRATION: MIL-STD-202 METHOD 204 TEST CONDITION B  
 C. SHOCK: MIL-STD-202 METHOD 213 TEST CONDITION B  
 D. CORROSION: MIL-STD-202 METHOD 101  
 TEST CONDITION B 5% SALT SOLUTION
5. PACKAGING:  
 A. QUANTITY: SINGLE PACK  
 B. MARKING: BAG TO BE MARKED  
 "AMPHENOL RF, 34-1030, AND DATE CODE"

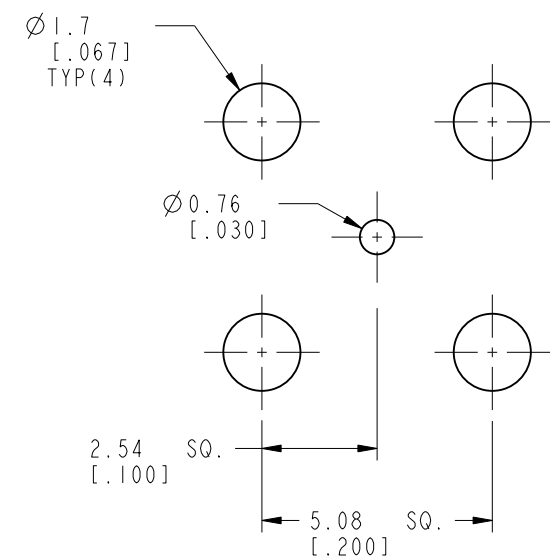
THIRD ANGLE PROJ.

REVISIONS

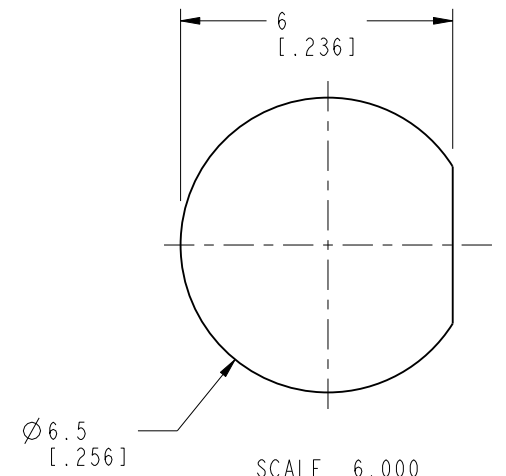
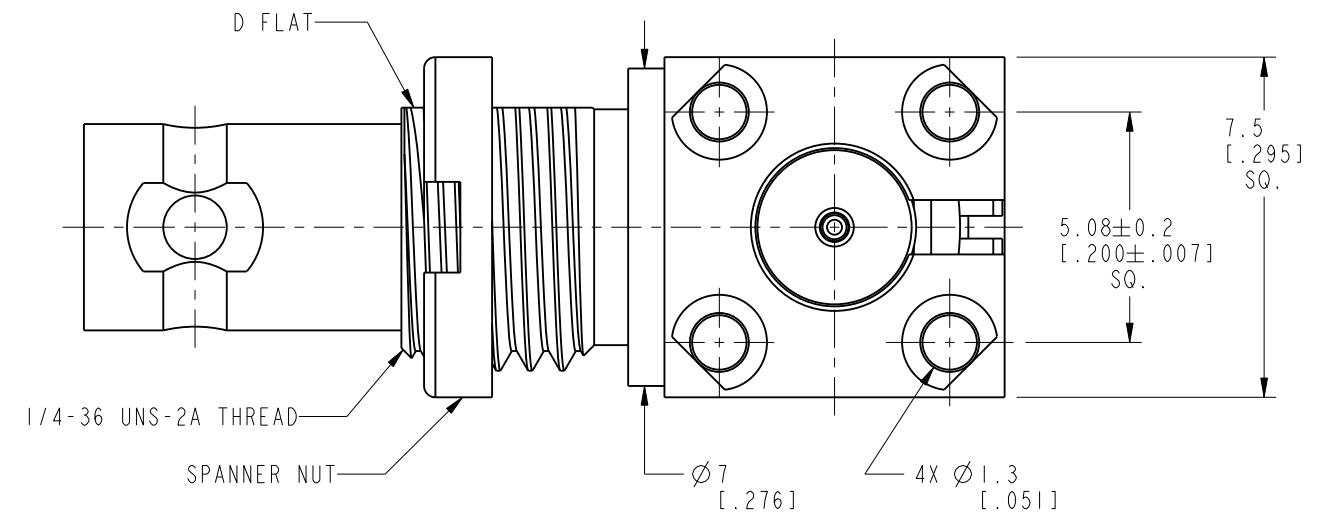
REV	DESCRIPTION	DATE	ECO	APPR
A	RELEASED TO MFG.	13-Oct-10	48270	PNE
B	REMOVED FORMING	09-Dec-10	48368	SH
C	BDDY AND HOUSING WERE CHANGED	10-May-11	--	SH
D	ADD FORMOVER	9/20/11	48780	JTS
E	UPDATE DESIGN BODY AND HOUSING, CAP WAS CHANGED	24-Oct-12	49222	DH



SCALE 4.000



**RECOMMENDED PCB LAYOUT**



**RECOMMENDED MOUNTING HOLE**

**CUSTOMER OUTLINE DRAWING**  
 ALL OTHER SHEETS ARE FOR INTERNAL USE ONLY

UNLESS OTHERWISE SPECIFIED, DIMENSIONS ARE IN METRIC AND TOLERANCES ARE: <0.5mm ±0.05mm    0.5 - 6mm ±0.1mm    6 - 30mm ±0.2mm    30 - 120mm ±0.3mm    ANGLES ±1° NOTICE - These drawings, specifications, or other data (1) are, and remain the property of Amphenol corp. (2) must be returned upon request; and (3) are confidential and not to be disclosed to any person other than those to whom they are given by Amphenol Corp. the finishing of these drawings, specifications, or other data by Amphenol Corp., or to any other person for any purpose is not to be regarded by implication or otherwise in any manner licensing, granting rights to permitting such holder or any other person to manufacture, use or sell any product, process or design, patented or otherwise, that may in any way be related to or disclosed by said drawings, specifications, or other data.	MATERIAL	DRAWN	DATE	TITLE		Amphenol RF Danbury CT USA, Tainan, Taiwan, Shenzhen, China www.amphenolrf.com	
	SEE NOTES	T. DENG	24-Oct-12				
	REFERENCE	APPROVED	DATE	SCALE: 6.0:1.0		DRAWING NO. 34-1030	
	EAR # 4028	D. HU	24-Oct-12	SHEET 2 OF 6		ITEM NO. 34-1030	
CONFIGURATION LEVEL:	CAD FILE	DWG SIZE		REV	PART NO. 34-1030		
FINISH		B		E			

THIRD ANGLE PROJ.

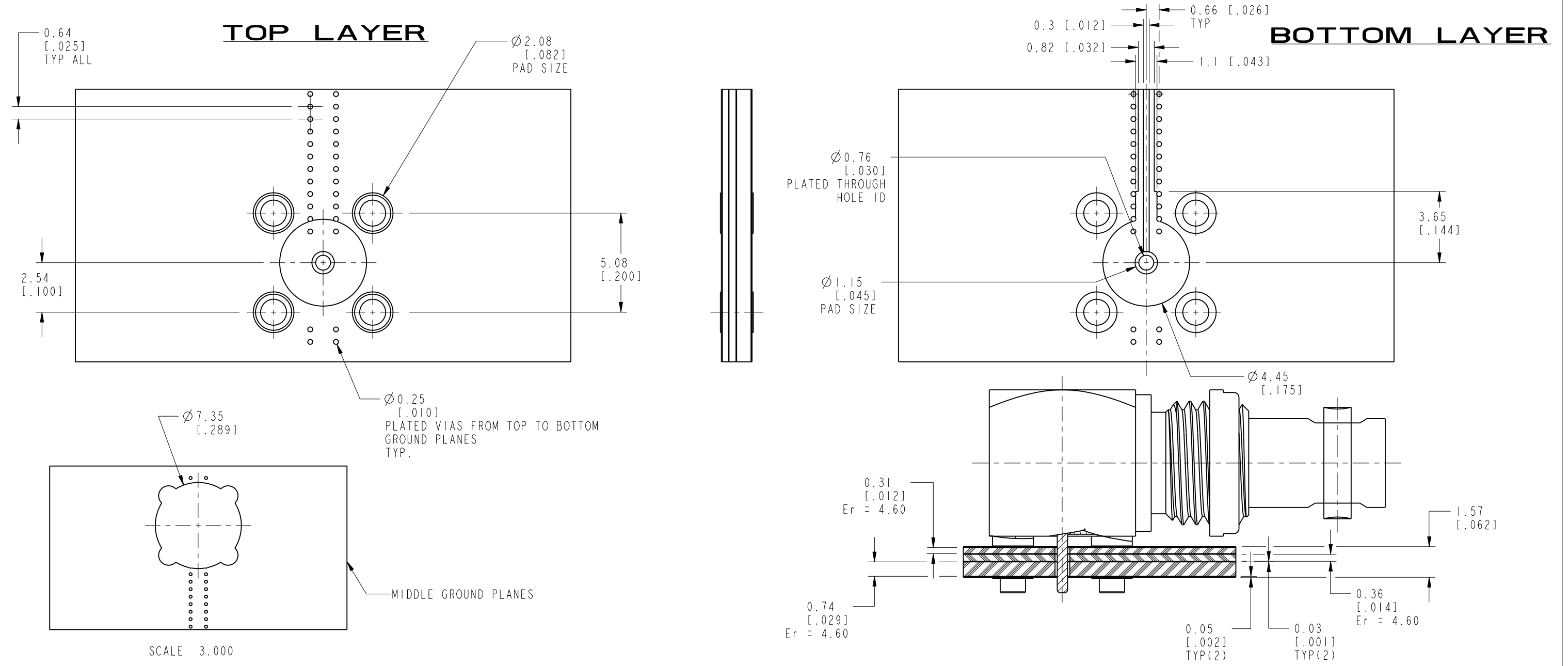
REVISIONS

**CONFIGURATION-O**

REV	DESCRIPTION	DATE	ECO	APPR
A	RELEASED TO MFG.	13-Oct-10	48270	PNE
B	REMOVED FORMING	09-Dec-10	48368	SH
C	BDDY AND HOUSING WERE CHANGED	10-May-11	--	SH
D	ADD FORMOVER	9/20/11	48780	JTS
E	UPDATE DESIGN BODY AND HOUSING, CAP WAS CHANGED	24-Oct-12	49222	DH

**RECOMMENDED PCB LAUNCH FOR OPTIMAL RF PERFORMANCE**

VARIATIONS IN BOARD SUBSTRATE AND TRACE MAY REQUIRE DIFFERENT GEOMETRY



UNLESS OTHERWISE SPECIFIED, DIMENSIONS ARE IN METRIC AND TOLERANCES ARE:  
 <0.5mm ±0.05mm    0.5 - 6mm ±0.1mm    6 - 30mm ±0.2mm    30 - 120mm ±0.3mm    ANGLES ±1°

NOTICE - These drawings, specifications, or other data (1) are, and remain the property of Amphenol corp. (2) must be returned upon request; and (3) are confidential and not to be disclosed to any person other than those to whom they are given by Amphenol Corp. the finishing of these drawings, specifications, or other data by Amphenol Corp., or to any other person for any purpose is not to be regarded by implication or otherwise in any manner licensing, granting rights to permitting such holder or any other person to manufacture, use or sell any product, process or design, patented or otherwise, that may in any way be related to or disclosed by said drawings, specifications, or other data.

MATERIAL	
REFERENCE	EAR # 4028
CONFIGURATION LEVEL:	
FINISH	

DRAWN	T.DENG	DATE	24-Oct-12
ENGINEER	NISCHIT MV	DATE	29-Jun-10
APPROVED	D.HU	DATE	24-Oct-12
CAD FILE			

TITLE	HD BNC RA BHD JACK PCB MOUNT
SCALE:	2.0:1.0
SHEET	3 OF 6
DWG SIZE	B
REV	E

Amphenol RF	Danbury CT USA, Tainan, Taiwan, Shenzhen, China www.amphenolrf.com
DRAWING NO.	34-1030
ITEM NO.	34-1030
PART NO.	34-1030

THIRD ANGLE PROJ.

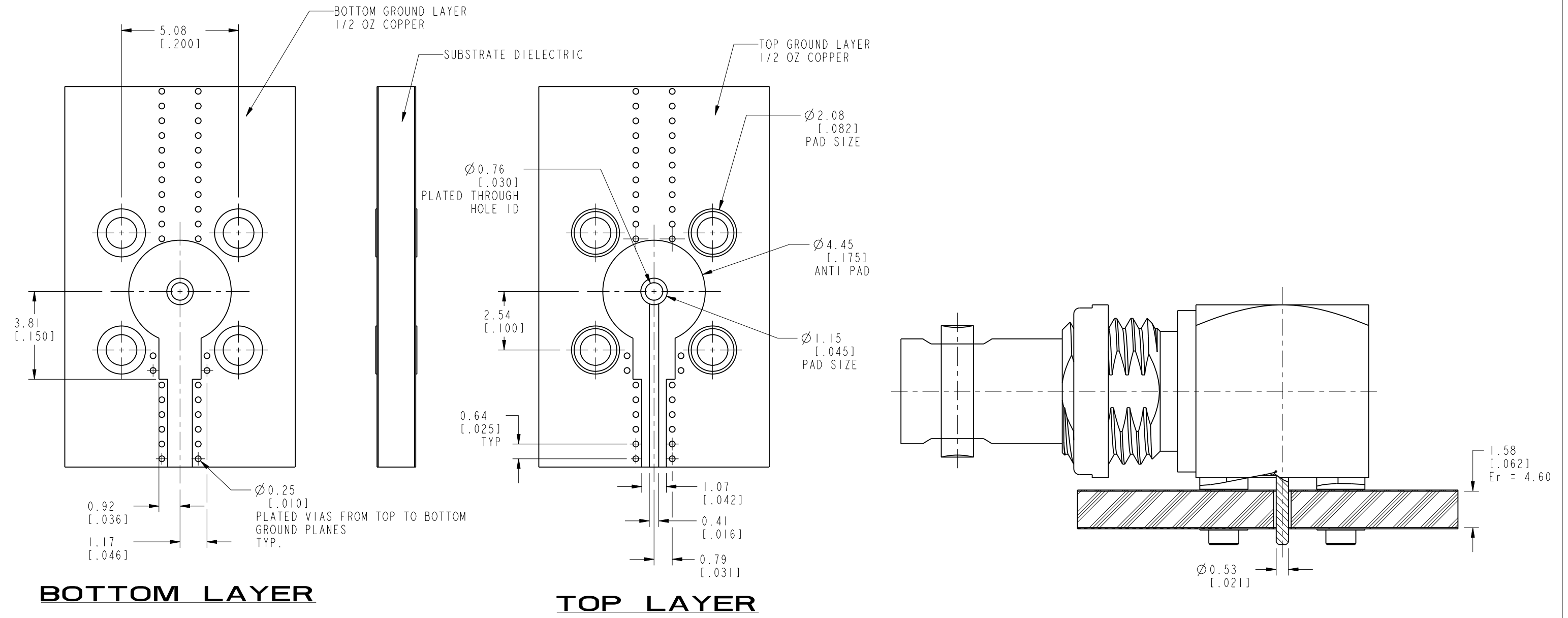
REVISIONS

REV	DESCRIPTION	DATE	ECO	APPR
A	RELEASED TO MFG.	13-Oct-10	48270	PNE
B	REMOVED FORMING	09-Dec-10	48368	SH
C	BDDY AND HOUSING WERE CHANGED	10-May-11	--	SH
D	ADD FORMOVER	9/20/11	48780	JTS
E	UPDATE DESIGN BODY AND HOUSING, CAP WAS CHANGED	24-Oct-12	49222	DH

# CONFIGURATION-1

# RECOMMENDED PCB LAUNCH FOR OPTIMAL RF PERFORMANCE

VARIATIONS IN BOARD SUBSTRATE AND TRACE MAY REQUIRE DIFFERENT GEOMETRY



UNLESS OTHERWISE SPECIFIED, DIMENSIONS ARE IN METRIC AND TOLERANCES ARE:  
 <0.5mm ±0.05mm    0.5 - 6mm ±0.1mm    6 - 30mm ±0.2mm    30 - 120mm ±0.3mm    ANGLES ±1°

NOTICE - These drawings, specifications, or other data (1) are, and remain the property of Amphenol corp. (2) must be returned upon request; and (3) are confidential and not to be disclosed to any person other than those to whom they are given by Amphenol Corp. the finishing of these drawings, specifications, or other data by Amphenol Corp., or to any other person to anyone for any purpose is not to be regarded by implication or otherwise in any manner licensing, granting rights to permitting such holder or any other person to manufacture, use or sell any product, process or design, patented or otherwise, that may in any way be related to or disclosed by said drawings, specifications, or other data.

MATERIAL	DRAWN T. DENG	DATE 24-Oct-12
REFERENCE EAR # 4028	ENGINEER NISCHIT MV	DATE 29-Jun-10
CONFIGURATION LEVEL:	APPROVED D. HU	DATE 24-Oct-12
FINISH	CAD FILE	

TITLE HD BNC RA BHD JACK PCB MOUNT	
SCALE: 3.0:1.0	SHEET 4 OF 6
DWG SIZE B	REV E

Amphenol RF Danbury CT USA, Tainan, Taiwan, Shenzhen, China www.amphenolrf.com	
DRAWING NO. 34-1030	
ITEM NO. 34-1030	
PART NO. 34-1030	

THIRD ANGLE PROJ.

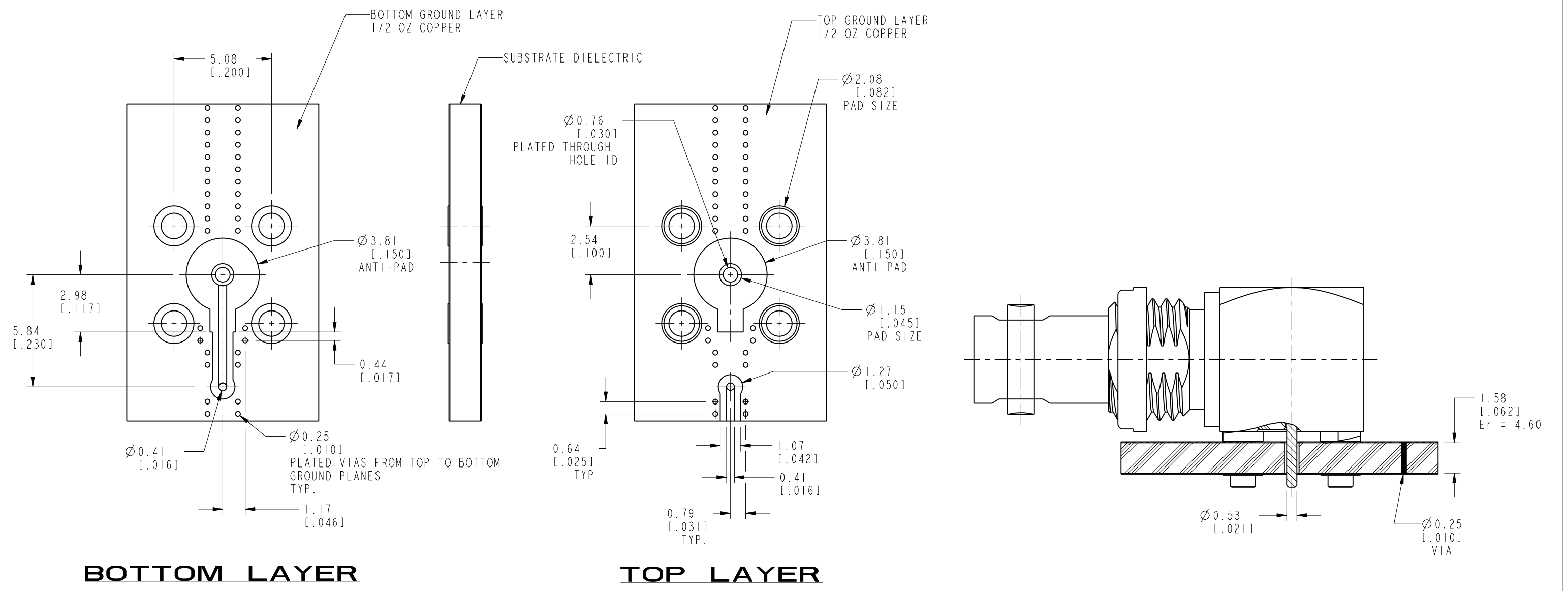
REVISIONS

REV	DESCRIPTION	DATE	ECO	APPR
A	RELEASED TO MFG.	13-Oct-10	48270	PNE
B	REMOVED FORMING	09-Dec-10	48368	SH
C	BDDY AND HOUSING WERE CHANGED	10-May-11	--	SH
D	ADD FORMOVER	9/20/11	48780	JTS
E	UPDATE DESIGN BODY AND HOUSING, CAP WAS CHANGED	24-Oct-12	49222	DH

**CONFIGURATION-2**

**RECOMMENDED PCB LAUNCH FOR OPTIMAL RF PERFORMANCE**

VARIATIONS IN BOARD SUBSTRATE AND TRACE MAY REQUIRE DIFFERENT GEOMETRY



**BOTTOM LAYER**

**TOP LAYER**

UNLESS OTHERWISE SPECIFIED, DIMENSIONS ARE IN METRIC AND TOLERANCES ARE:  
 <0.5mm ±0.05mm    0.5 - 6mm ±0.1mm    6 - 30mm ±0.2mm    30 - 120mm ±0.3mm    ANGLES ±1°

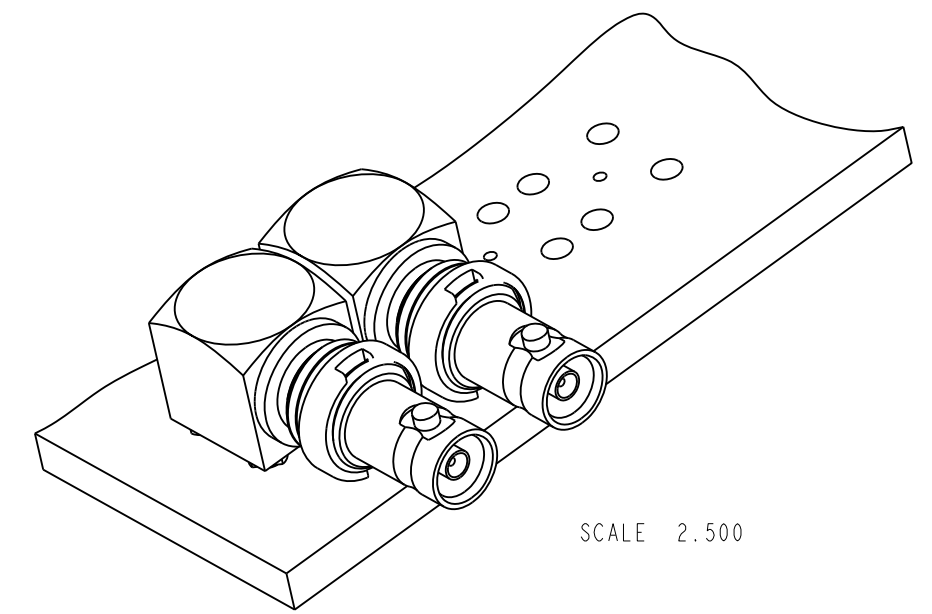
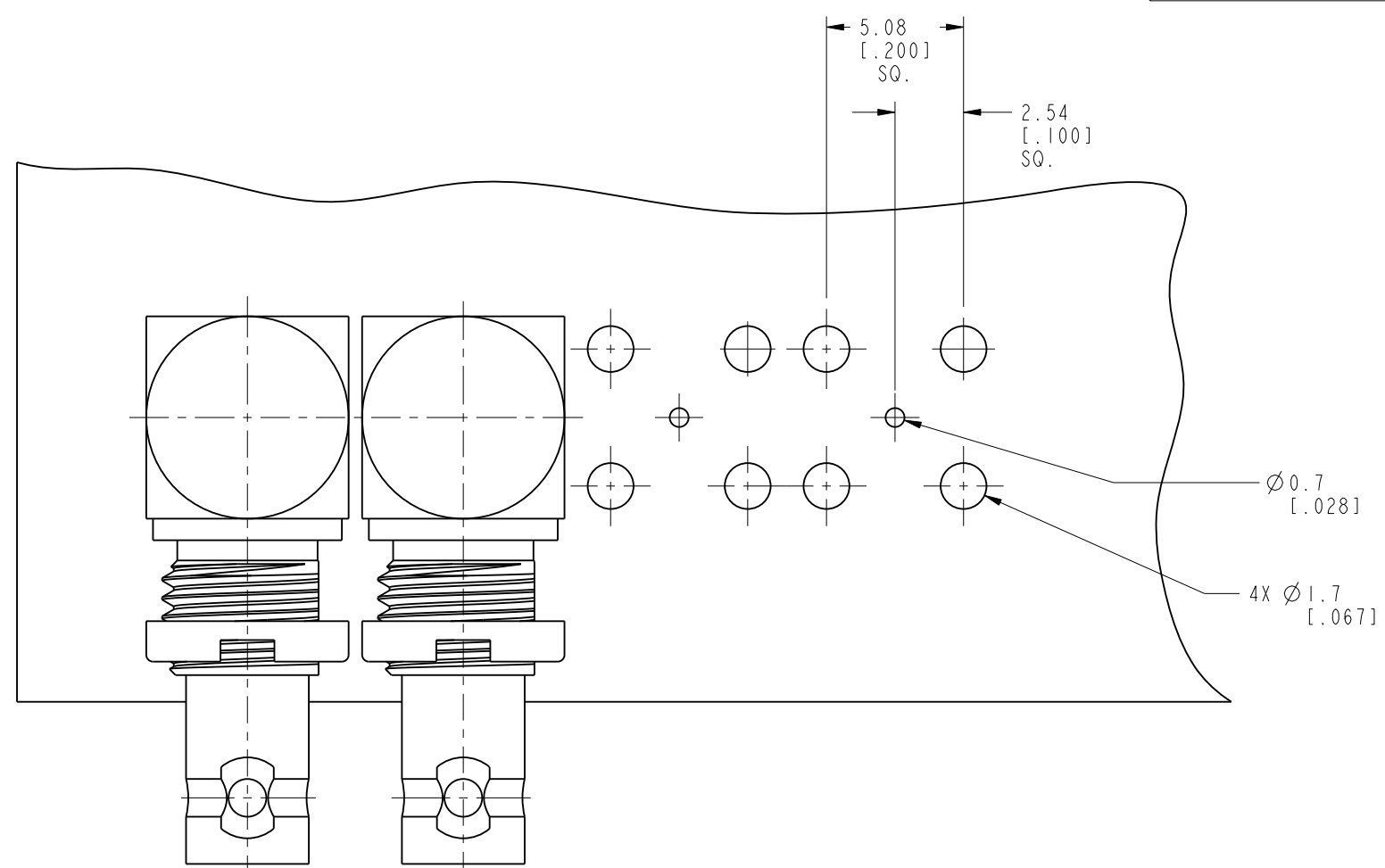
NOTICE - These drawings, specifications, or other data (1) are, and remain the property of Amphenol corp. (2) must be returned upon request; and (3) are confidential and not to be disclosed to any person other than those to whom they are given by Amphenol Corp. the finishing of these drawings, specifications, or other data by Amphenol Corp., or to any other person to anyone for any purpose is not to be regarded by implication or otherwise in any manner licensing, granting rights to permitting such holder or any other person to manufacture, use or sell any product, process or design, patented or otherwise, that may in any way be related to or disclosed by said drawings, specifications, or other data.

MATERIAL	DRAWN	DATE	TITLE	Amphenol RF Danbury CT USA, Tainan, Taiwan, Shenzhen, China www.amphenolrf.com
	T. DENG	24-Oct-12		
REFERENCE EAR # 4028	ENGINEER	DATE	SCALE: 0.8:1.0   SHEET 5 OF 6	
	NISCHIT MV	20-May-10		
CONFIGURATION LEVEL:	APPROVED	DATE	DWG SIZE	
	D. HU	24-Oct-12		B
FINISH	CAD FILE		REV	
			E	
				DRAWING NO. 34-1030
				ITEM NO. 34-1030
				PART NO. 34-1030

THIRD ANGLE PROJ.

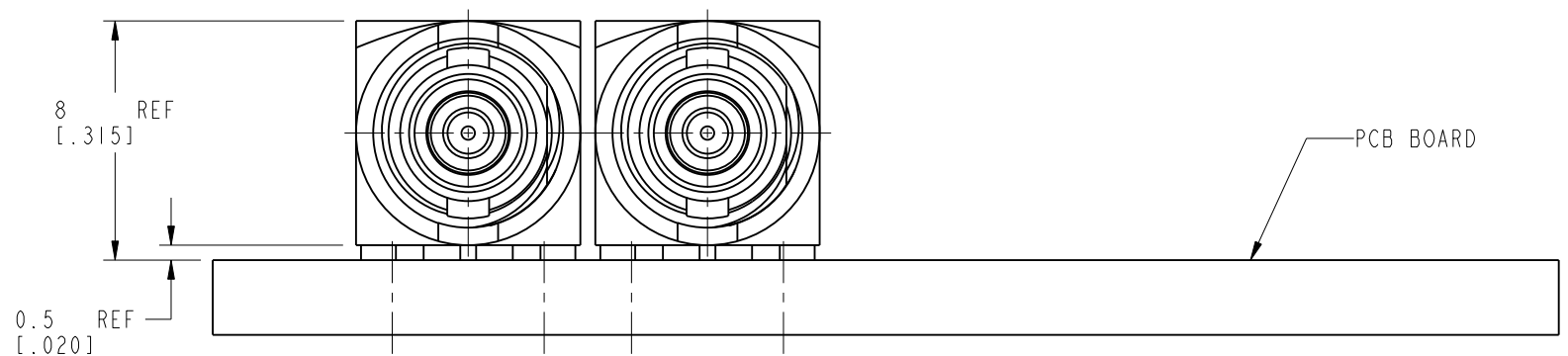
REVISIONS

REV	DESCRIPTION	DATE	ECO	APPR
A	RELEASED TO MFG.	13-Oct-10	48270	PNE
B	REMOVED FORMING	09-Dec-10	48368	SH
C	BDDY AND HOUSING WERE CHANGED	10-May-11	--	SH
D	ADD FORMOVER	9/20/11	48780	JTS
E	UPDATE DESIGN BODY AND HOUSING, CAP WAS CHANGED	24-Oct-12	49222	DH



# RECOMMENDED PCB MOUNTING HOLES

CONNECTORS TO BE SPACED AT 8.00 MM MIN. PITCH.



**CUSTOMER OUTLINE DRAWING**  
ALL OTHER SHEETS ARE FOR INTERNAL USE ONLY

<p>UNLESS OTHERWISE SPECIFIED, DIMENSIONS ARE IN METRIC AND TOLERANCES ARE:          &lt;0.5mm ±0.05mm    0.5 - 6mm ±0.1mm    6 - 30mm ±0.2mm    30 - 120mm ±0.3mm    ANGLES ±1°</p> <p>NOTICE - These drawings, specifications, or other data (1) are, and remain the property of Amphenol corp. (2) must be returned upon request; and (3) are confidential and not to be disclosed to any person other than those to whom they are given by Amphenol Corp. the finishing of these drawings, specifications, or other data by Amphenol Corp., or to any other person for any purpose is not to be regarded by implication or otherwise in any manner licensing, granting rights to permitting such holder or any other person to manufacture, use or sell any product, process or design, patented or otherwise, that may in any way be related to or disclosed by said drawings, specifications, or other data.</p>	MATERIAL	DRAWN T. DENG	DATE 24-Oct-12	TITLE HD BNC RA BHD JACK PCB MOUNT	<p>Amphenol RF Danbury CT USA, Tainan, Taiwan, Shenzhen, China www.amphenolrf.com</p>
	REFERENCE EAR # 4028	ENGINEER NISCHIT MV	DATE 20-May-10		
	CONFIGURATION LEVEL:	APPROVED D. HU	DATE 24-Oct-12	SCALE: 7.8:1.0   SHEET 6 OF 6	ITEM NO. 34-1030
	FINISH	CAD FILE	DWG SIZE B	REV E	PART NO. 34-1030

# Mouser Electronics

Authorized Distributor

Click to View Pricing, Inventory, Delivery & Lifecycle Information:

[Amphenol:](#)

[34-1030](#) [034-1030](#)