

Diode block - EMG 45-DIO 8E

2950103

<https://www.phoenixcontact.com/gb/products/2950103>



Please be informed that the data shown in this PDF document is generated from our Online Catalog. Please find the complete data in the user documentation. Our General Terms of Use for Downloads are valid.



Diode module, with 8 diodes, individually wired, diode type 1N 4007

Your advantages

- Spark-suppression diodes for limiting surge voltages of inductive loads
- Electrical decoupling of messages in fault reporting systems

Diode block - EMG 45-DIO 8E

2950103

<https://www.phoenixcontact.com/gb/products/2950103>



Commercial Data

Item number	2950103
Packing unit	5 pc
Minimum order quantity	1 pc
Sales Key	CK4M11
Product Key	CK4M11
Catalog Page	Page 266 (C-5-2019)
GTIN	4017918083953
Weight per Piece (including packing)	85.88 g
Weight per Piece (excluding packing)	85.88 g
Customs tariff number	85411000
Country of origin	DE

Diode block - EMG 45-DIO 8E



2950103

<https://www.phoenixcontact.com/gb/products/2950103>

Technical Data

Product properties

Product type	Diode module
--------------	--------------

Input data

Diode

Description of the input	8 diodes, individually wired
Diode type	1 N 4007
Peak reverse voltage per diode	1300 V
Reverse current per diode	5 μ A
Conducting state voltage per diode	approx. 0.8 V
Conducting state current per diode	0.7 A (with single load) 0.5 A (with simultaneous loads)

Connection data

Connection method	Screw connection
Stripping length	8 mm
Screw thread	M3
Conductor cross section solid	0.2 mm ² ... 4 mm ²
Conductor cross section flexible	0.2 mm ² ... 2.5 mm ²
Conductor cross section AWG	24 ... 12

Dimensions

Width	45 mm
Height	75 mm
Depth	55 mm

Environmental and real-life conditions

Ambient conditions

Ambient temperature (operation)	-20 °C ... 50 °C
Ambient temperature (storage/transport)	-40 °C ... 70 °C

Approval data

CE

Certificate	CE-compliant
Note	and EN 61326

Standards and regulations

Standards/regulations	DIN EN 50178
-----------------------	--------------

Mounting

Mounting type	DIN rail mounting
---------------	-------------------

Diode block - EMG 45-DIO 8E



2950103

<https://www.phoenixcontact.com/gb/products/2950103>

Assembly instructions	in rows with zero spacing
Mounting position	any

Diode block - EMG 45-DIO 8E

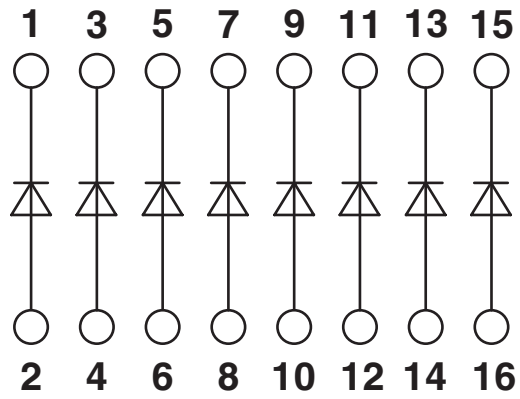
2950103

<https://www.phoenixcontact.com/gb/products/2950103>



Drawings

Circuit diagram



Diode block - EMG 45-DIO 8E

2950103

<https://www.phoenixcontact.com/gb/products/2950103>



Approvals



EAC

Approval ID: RU*DE*08.B.01841/19

Diode block - EMG 45-DIO 8E



2950103

<https://www.phoenixcontact.com/gb/products/2950103>

Classifications

ECLASS

ECLASS-9.0	27371010
ECLASS-10.0.1	27371010
ECLASS-11.0	27371010

ETIM

ETIM 8.0	EC000683
----------	----------

UNSPSC

UNSPSC 21.0	32151500
-------------	----------

Diode block - EMG 45-DIO 8E

2950103

<https://www.phoenixcontact.com/gb/products/2950103>



Environmental Product Compliance

REACH SVHC	Lead 7439-92-1
China RoHS	Environmentally Friendly Use Period = 50 years
	For information on hazardous substances, refer to the manufacturer's declaration available under "Downloads"

Diode block - EMG 45-DIO 8E

2950103

<https://www.phoenixcontact.com/gb/products/2950103>



Accessories

Marking material

Marking material - EMG-GKS 12 - 2947035

<https://www.phoenixcontact.com/gb/products/2947035>



Device marking label, width: 12 mm, area: 12 x 8 mm, e.g. for EML(10x7) R adhesive marking material

Phoenix Contact 2022 © - all rights reserved
<https://www.phoenixcontact.com>

PHOENIX CONTACT Ltd
Halesfield 13, Telford
Shropshire, TF7 4PG
01952 681700
info@phoenixcontact.co.uk