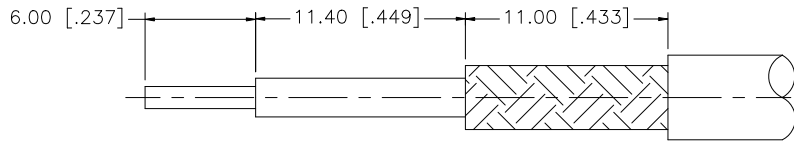
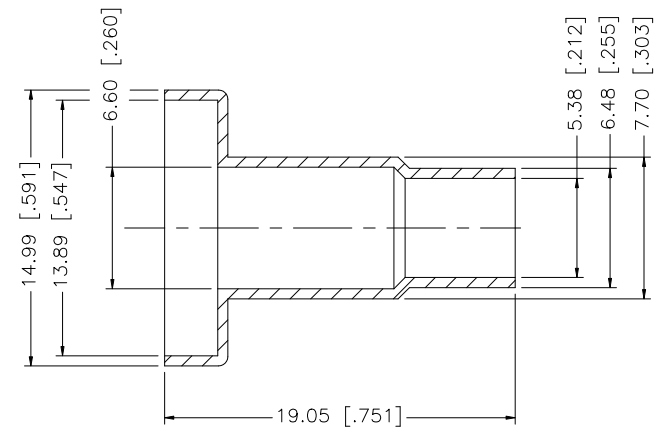
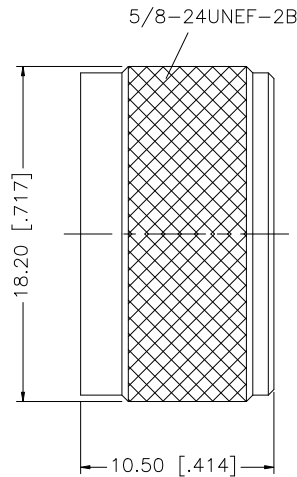
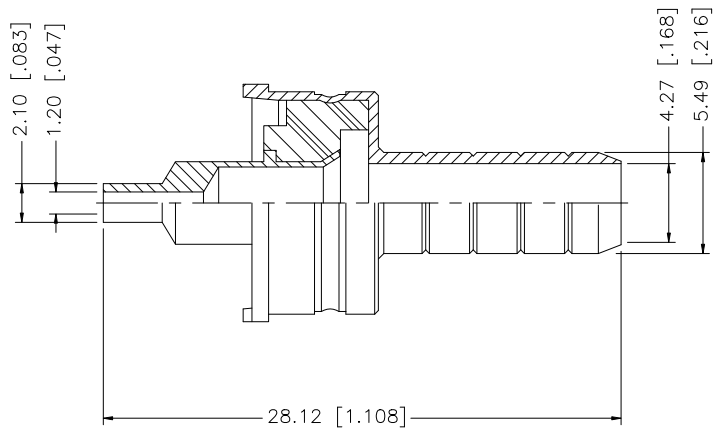


REV.	DATE	ECR NO.	DESCRIPTION
NC	11/20/08	-	INITIAL RELEASE



RECOMMENDED CABLE STRIPPING DIM'S



NOTE:

1. CRIMPED FERRULE HEX CRIMP SIZE .255" [6.48].
2. CRIMPED CONTACT PIN HEX CRIMP SIZE .068" [1.73] OR SOLDER.

				UNLESS OTHERWISE SPECIFIED DIMENSIONS ARE IN MILLIMETERS. DIMENSIONS IN [] ARE IN INCHES AND FOR CUSTOMER REFERENCE ONLY.	APPROVALS	DATE	<h1 style="color: blue; margin: 0;">Amphenol Connex</h1>						
8				UNLESS OTHERWISE SPECIFIED TOLERANCES FOR MILLIMETERS ARE: 0.5 - 8mm ± 0.20mm 8 - 30mm ± 0.40mm 30 - 120mm ± 0.50mm UNLESS OTHERWISE SPECIFIED TOLERANCES FOR INCHES ARE: .020 - .315 = ± 0.007" .315 - 1.180 = ± 0.015" 1.180 - 4.724 = ± 0.020"	DRAWN	GRS				11/20/08	UHF FCP PLUG (58/U - DCP TYPE)		
7					CHECKED			PART NO. 182135					
6					ISSUED								
5	FERRULE	BRASS	NICKEL		1	SHEET	1 OF 1	REV.	NC	SIZE	A	SCALE	NA
4	CONTACT PIN	BRASS	NICKEL		1	CAD FILE		C:/182/182135.DWG					
3	INSULATOR	BAKELITE	BROWN	1	DO NOT SCALE DRAWING								
2	BODY	BRASS	NICKEL	1									
1	SHELL	BRASS	NICKEL	1									

Mouser Electronics

Authorized Distributor

Click to View Pricing, Inventory, Delivery & Lifecycle Information:

[Amphenol:](#)

[182135](#)