

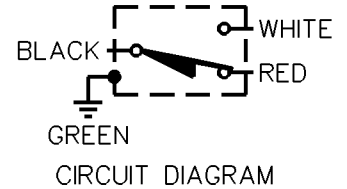
MICRO SWITCH
a Honeywell Division

FED. MFG. CODE 91929

**MINIATURE PRECISION
LIMIT SWITCH**

CATALOG LISTING

914CE20-9



914CE20-9

M

DRAWING
NUMBER

3

ISSUE

REPLACES

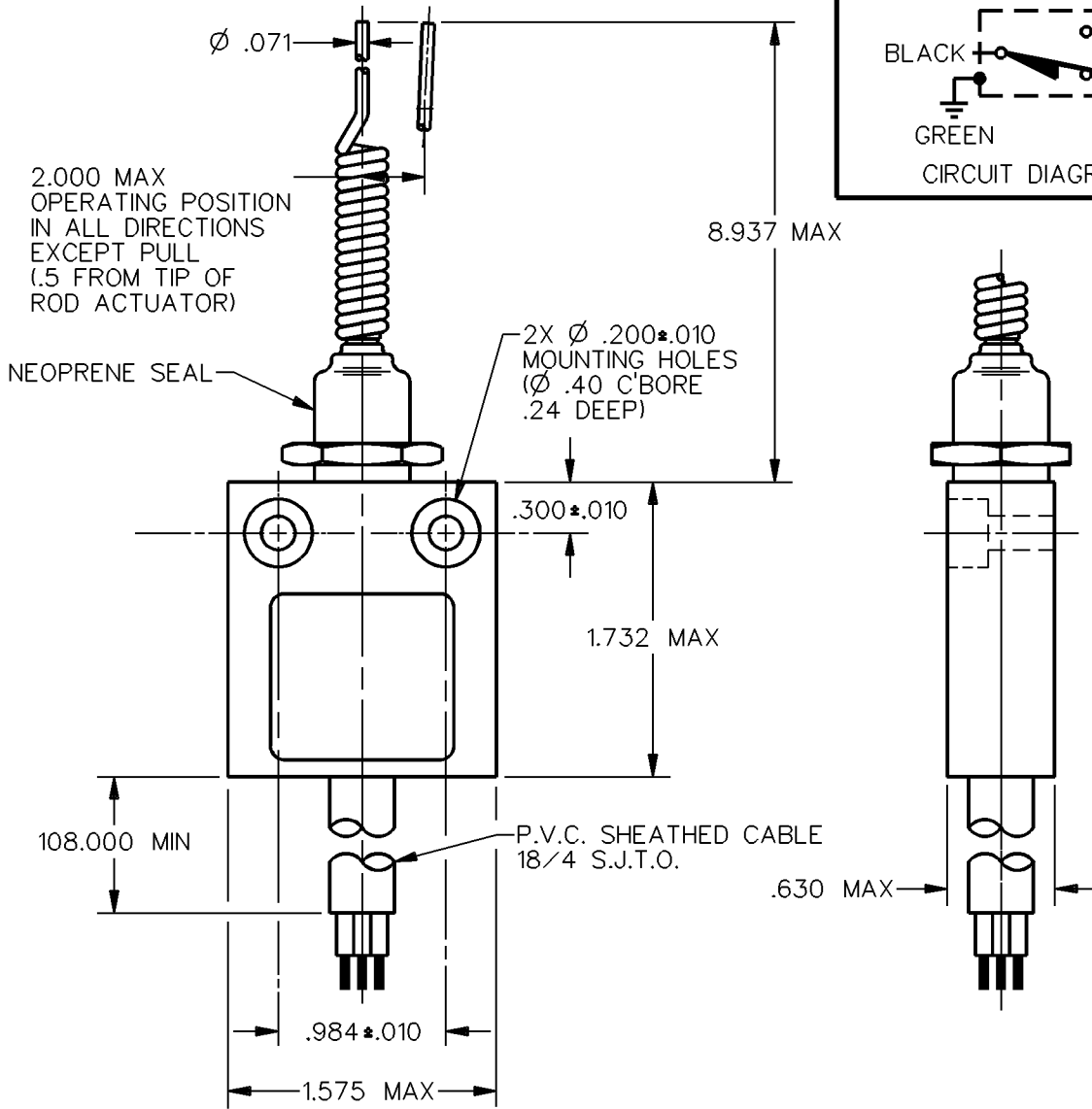
RELEASE NO. PR-7324

CHECK

REVISIONS

A	CO-69061
S	A V 31 AUG 91

CHECK



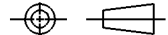
NOTES

1 - ZINC HOUSING FINISHED WITH GRAY PAINT

ANSI Y14.5M-1982 APPLIES

THIS DRAWING COVERS A PROPRIETARY ITEM AND IS THE PROPERTY OF MICRO SWITCH, A DIVISION OF HONEYWELL. THIS DRAWING IS NOT TO BE COPIED OR USED WITHOUT THE APPROVAL OF MICRO SWITCH.

THIRD ANGLE PROJECTION



CHARACTERISTICS	ELECTRICAL DATA	SCALE FULL	DO NOT SCALE PRINT
OPERATING FORCE — — — 2 OZ MAX	CONTACT ARRANGEMENT S P D T	UNLESS OTHERWISE SPECIFIED TOLERANCES ARE	
	5A - 250 VAC 1/10HP - 125 OR 250 VAC	ONE PLACE (.01)	± .030
		TWO PLACE (.00)	± .015
		THREE PLACE (.000)	± .005
		ANGLES	±
		WEIGHT	

DDM/CAD

DRAWN

CHECK

S A V 31 AUG 91