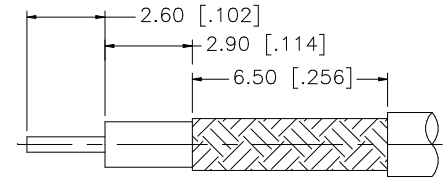
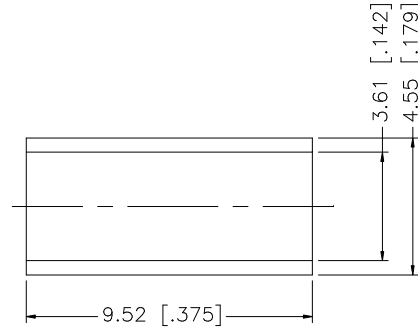
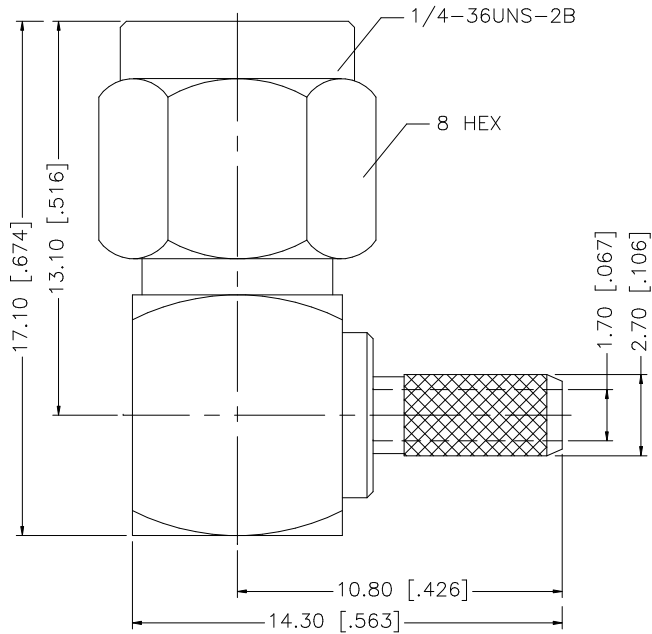


REV.	DATE	DESCRIPTION
C	02/18/03	UPDATE DRAWING FORMAT
D	07/31/05	ADD "DOUBLE BRAID CABLE" TO DESCRIPTION



RECOMMENDED  
CABLE STRIPPING DIM'S



- NOTE:
1. CRIMPED FERRULE  
HEX CRIMP SIZE .151"
  2. CONTACT PIN TO SOLDER

QTY	DESCRIPTION	MATERIAL	FINISH	QTY	DO NOT SCALE DRAWING	APPROVALS	DATE	PART DESCRIPTION			
8	HEAT SHRINK TUBE		BLACK	1	<small>UNLESS OTHERWISE SPECIFIED DIMENSIONS ARE IN MILLIMETERS, DIMENSIONS IN [ ] ARE IN INCHES AND FOR CUSTOMER REFERENCE ONLY.</small> <small>UNLESS OTHERWISE SPECIFIED TOLERANCES FOR MILLIMETERS ARE:</small> 0.5 - 8mm ± 0.20mm 8 - 30mm ± 0.40mm 30 - 120mm ± 0.50mm <small>UNLESS OTHERWISE SPECIFIED TOLERANCES FOR INCHES ARE:</small> .020 - .315 = ± 0.007" .315 - 1.180 = ± 0.015" 1.180 - 4.724 = ± 0.020"			<h1 style="color: blue; text-align: center;">Amphenol Connex</h1>			
7	FERRULE	COPPER	GOLD	1		DRAWN G.R.S.	07/31/05				
6	COVER	BRASS	GOLD	1		CHECKED		PART DESCRIPTION <h2 style="text-align: center;">SMA R/A CRIMP PLUG (FOR RG-316/U DOUBLE BRAID CABLE)</h2>			
5	GASKET	SILICONE	RED	1		ISSUED					
4	RETAINER RING	BER. COPPER	NATURAL	1		SHEET 1 OF 1		PART NO. <h2 style="text-align: center;">132182</h2>			
3	CONTACT PIN	BRASS	GOLD	1							
2	INSULATOR	TEFLON	NATURAL	1				DWG. NO. 132182.DWG REV. D SIZE A SCALE NA			
1	HOUSING/BODY	BRASS	GOLD	1							
						CAD FILE	C:/132/132182.DWG				

# Mouser Electronics

Authorized Distributor

Click to View Pricing, Inventory, Delivery & Lifecycle Information:

[Amphenol:](#)

[132182](#)