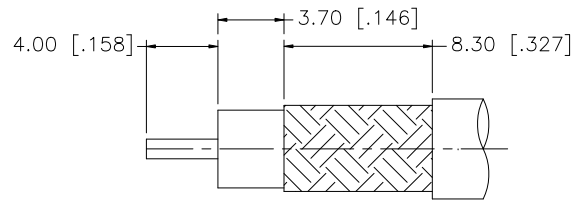
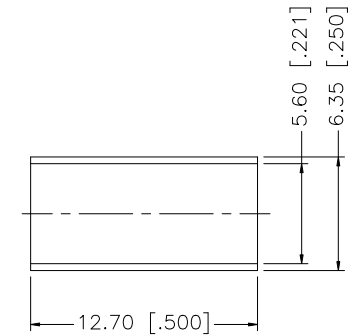
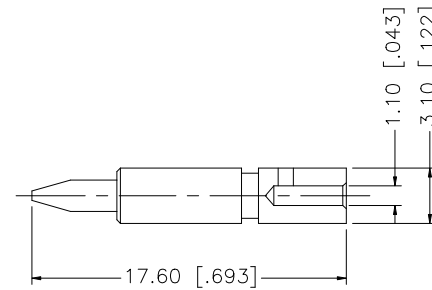
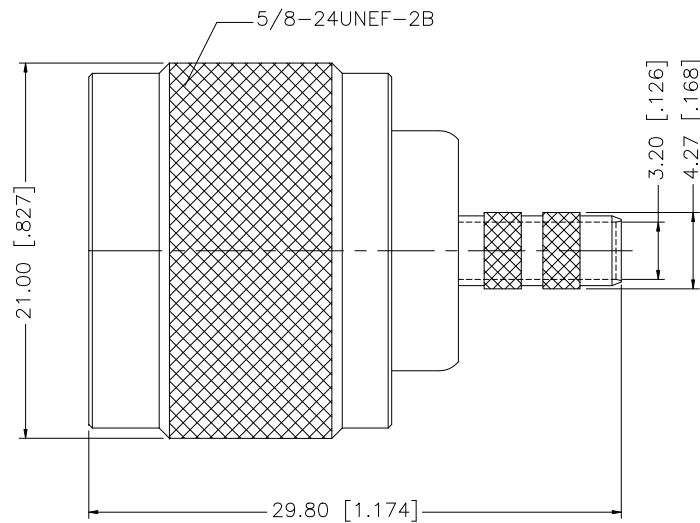


REV.	DATE	ECR NO.	DESCRIPTION
A	01/30/04	-	UPDATE DRAWING FORMAT
B	03/03/09	-	REVISE NOTE 2 - HEX CRIMP TO .100"



RECOMMENDED  
CABLE STRIPPING DIM'S



NOTES:

1. CRIMPED FERRULE HEX CRIMP SIZE .213" [5.41]
2. CRIMPED CONTACT PIN HEX CRIMP SIZE .100" [2.54]

DESCRIPTION	MATERIAL	FINISH	QTY	DO NOT SCALE DRAWING	APPROVALS	DATE	PART DESCRIPTION			
					GRS	03/03/09	<h1 style="text-align: center; color: blue;">Amphenol Connex</h1> <p style="text-align: center;">N CRIMP PLUG (FOR RG-55/U, 142A/U, 223/U, 400/U)</p>			
							DWG. NO. 172142.DWG			
							REV. B	SIZE A	SCALE NA	

UNLESS OTHERWISE SPECIFIED DIMENSIONS ARE IN MILLIMETERS. DIMENSIONS IN [ ] ARE IN INCHES AND FOR CUSTOMER REFERENCE ONLY.

UNLESS OTHERWISE SPECIFIED TOLERANCES FOR MILLIMETERS ARE:  
0.5 - 8mm ± 0.20mm  
8 - 30mm ± 0.40mm  
30 - 120mm ± 0.50mm

UNLESS OTHERWISE SPECIFIED TOLERANCES FOR INCHES ARE:  
.020 - .315 = ± 0.007"  
.315 - 1.180 = ± 0.015"  
1.180 - 4.724 = ± 0.020"

APPROVALS	DATE
DRAWN GRS	03/03/09
CHECKED	
ISSUED	
SHEET 1 OF 1	
CAD FILE	C:/172/172142.DWG

PART DESCRIPTION			
<h1 style="color: blue;">Amphenol Connex</h1> <p>N CRIMP PLUG (FOR RG-55/U, 142A/U, 223/U, 400/U)</p>			
PART NO. 172142			
DWG. NO. 172142.DWG		REV. B	SCALE NA

# Mouser Electronics

Authorized Distributor

Click to View Pricing, Inventory, Delivery & Lifecycle Information:

[Amphenol:](#)

[172142](#)