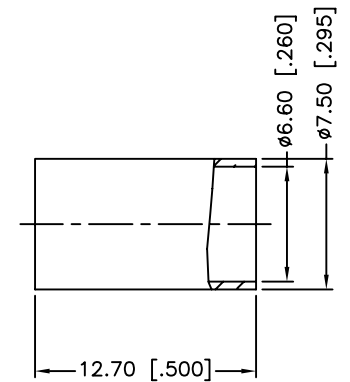
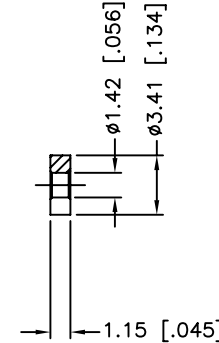
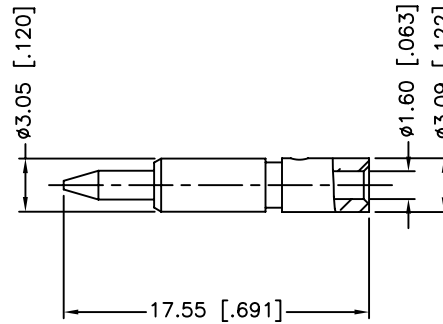
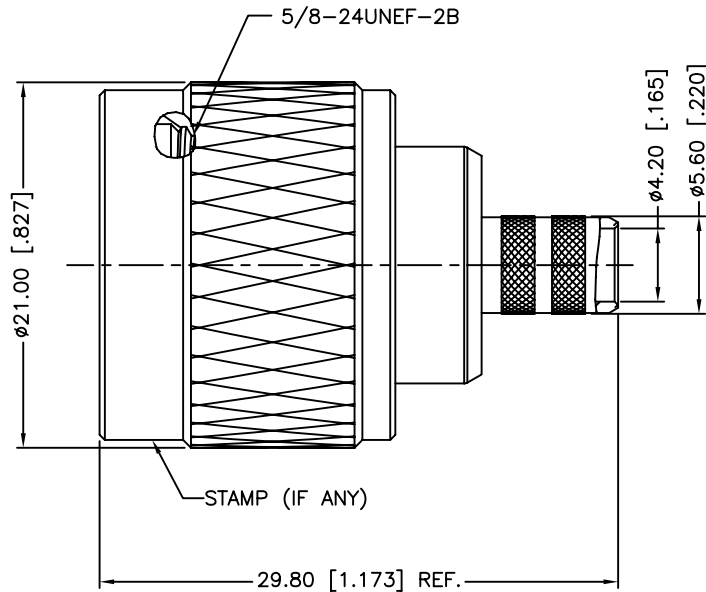
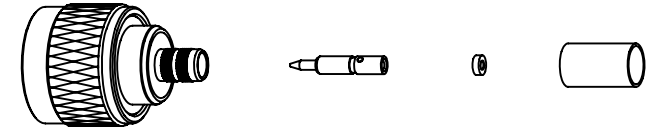
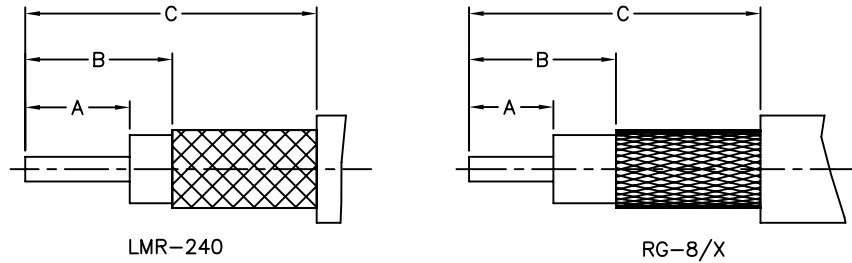


REV.	DATE	ECR NO.	DESCRIPTION
A	04/31/03	XXXX	UPDATE DRAWING FORMAT
B	03/16/12	2289	INSULATOR,BARREL,CONTACT PIN WERE CHANGED
C	06/05/13	2500	INSULATOR,CONTACT PIN WERE CHANGED, ADD SMALL INSULATOR
D	11/08/13	2544	CONTACT PIN WAS CHANGED, ADD NOTE #10, MODIFY STRIPPING DIMENSIONS



1. IMPEDANCE: 50 OHM
2. FREQUENCY RANGE: DC-11 GHz
3. VSWR: 1.3 MAX. @ 0-6 GHz
4. INSERTION LOSS: 0.7dB MAX.@ 0-5.8 GHz
5. DIELECTRIC WITHSTANDING VOLTAGE: 2500 VRMS, MIN.
6. DURABILITY: 500 CYCLES MIN.
7. TEMPERATURE RANGE: -65°C TO +165°C
8. CRIMPED FERRULE:
HEX. CRIMP SIZE .255"
9. CRIMPED CONTACT PIN OR SOLDER
HEX. CRIMP SIZE .100"
10. SEE TABLE A FOR RECOMMENDED CABLE STRIPPING DIMENSIONS

CABLE TYPE	DIMENSION A	DIMENSION B	DIMENSION C	SPACER REQUIRED
LMR-240	6.00 [.236]	8.45 [.333]	16.75 [.659]	YES
RG-8/X	4.85 [.191]	8.45 [.333]	16.75 [.659]	NO

DESCRIPTION	MATERIAL	FINISH	QTY	
9	FERRULE	BRASS	NEXCOTE	1
8	SPACER	PTFE	NATURAL	1
7	CONTACT PIN	BRASS	GOLD	1
6	RETAINER RING	SUS 304	NATURAL	1
5	GASKET	SILICONE	RED	1
4	INSULATOR	PTFE	NATURAL	1
3	BARREL	BRASS	NEXCOTE	1
2	BODY	BRASS	NEXCOTE	1
1	SHELL	BRASS	NEXCOTE	1

UNLESS OTHERWISE SPECIFIED DIMENSIONS ARE IN MILLIMETERS. DIMENSIONS IN [] ARE IN INCHES AND FOR CUSTOMER REFERENCE ONLY.
UNLESS OTHERWISE SPECIFIED
TOLERANCES FOR MILLIMETERS ARE:
0.5 - 6mm ± 0.10mm
6 - 30mm ± 0.20mm
30 - 120mm ± 0.30mm
ANGLES ± 1°
UNLESS OTHERWISE SPECIFIED
TOLERANCES FOR INCHES ARE:
<.020 ± 0.002"
.020 - .236 ± 0.004"
.236 - 1.180 ± 0.007"
1.180 - 4.724 ± 0.012"
ANGLES ± 1°
DO NOT SCALE DRAWING

APPROVALS	DATE
DRAWN M.ZHANG	11/08/13
CHECKED	
ISSUED	
SHEET 1 OF 1	
CAD FILE	C:/CONNEX/172135.DWG

Amphenol Connex

PART DESCRIPTION
**N CRIMP PLUG
(FOR LMR-240, RG-8/X CABLE)**

PART NO.
172135

DWG. NO. 172135.DWG	REV. D	SIZE A	SCALE NA
---------------------	--------	--------	----------

Mouser Electronics

Authorized Distributor

Click to View Pricing, Inventory, Delivery & Lifecycle Information:

[Amphenol:](#)

[172135](#)