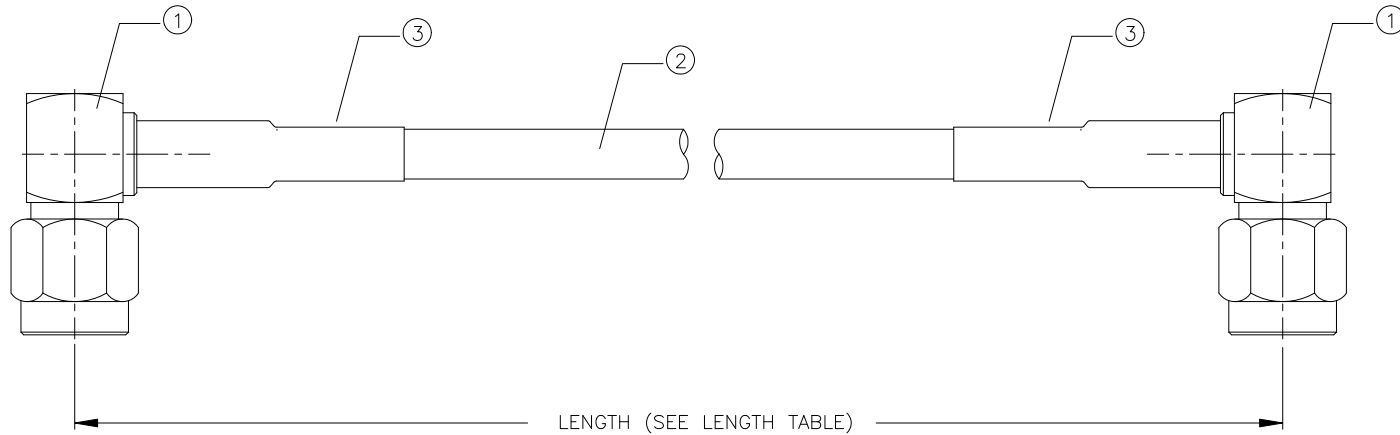


REV.	DATE	ECR NO.	DESCRIPTION
NC	02/03/09	-	INITIAL RELEASE



LENGTH TABLE	
PART NUMBER	LENGTH (IN.)
135104-04-06.00	6.00
135104-04-12.00	12.00
135104-04-24.00	24.00
135104-04-36.00	36.00
135104-04-48.00	48.00

NOTE:

1. PERFORM CONTINUITY AND HI-POT TESTING.
2. PACKAGED INDIVIDUALLY IN HEAT SEALED POLY BAG.

3	009-954-352	HEAT SHRINK TUBING, BLACK, 3/8" DIAMETER	A/R FT
2	009-881-377	COAXIAL CABLE, RG58/U	A/R FT
1	132122	CONNECTOR, SMA R/A PLUG, GOLD	2
	PN	DESCRIPTION	QTY

UNLESS OTHERWISE SPECIFIED DIMENSIONS ARE IN MILLIMETERS. DIMENSIONS IN [ ] ARE IN INCHES AND FOR CUSTOMER REFERENCE ONLY.

UNLESS OTHERWISE SPECIFIED TOLERANCES FOR MILLIMETERS ARE:  
0.5 - 8mm ± 0.20mm  
8 - 30mm ± 0.40mm  
30 - 120mm ± 0.50mm

UNLESS OTHERWISE SPECIFIED TOLERANCES FOR INCHES ARE:  
.020 - .315 = ± 0.007"  
.315 - 1.180 = ± 0.015"  
1.180 - 4.724 = ± 0.020"

DO NOT SCALE DRAWING

APPROVALS	DATE
DRAWN G.R.S.	02/03/09
CHECKED	
ISSUED	
SHEET 1 OF 1	
CAD FILE	C:/135/135104-04-XX.XX.DWG

# Amphenol Connex

PART DESCRIPTION			
SMA R/A PLUG TO SMA R/A PLUG RG58			
PART NO.			
135104-04-XX.XX			
DWG. NO.	135104-04-XX.XX.DWG	REV. NC	SCALE NA

# Mouser Electronics

Authorized Distributor

Click to View Pricing, Inventory, Delivery & Lifecycle Information:

[Amphenol:](#)

[135104-04-48.00](#) [135104-04-12.00](#) [135104-04-24.00](#) [135104-04-06.00](#) [135104-04-36.00](#)