

LTC5564

15GHz RF Power Detector with Comparator

DESCRIPTION

The demonstration circuit 1646A features the LTC[®]5564, an UltraFast[™] RF peak detector with a built in gain-selectable high speed operational amplifier and comparator.

The 1646A demo circuit includes a simple impedance matching network that provides better than 10dB return loss for working frequencies ranging from 5.2GHz and from 14.7GHz to 16.5GHz. The input matching circuit can be easily changed for other working frequency

plans. The Demo Circuit Modification page provides the design information required for modifying with this demo circuit 1646A.

Design files for this circuit board are available at <http://www.linear.com/demo>

LT, LT, LTC, LTM, Linear Technology and the Linear logo are registered trademarks and UltraFast is a trademark of Linear Technology Corporation. All other trademarks are the property of their respective owners.

PERFORMANCE SUMMARY (T_A = 25°C), V_{CC} = V_{CCRF} = V_{CCA} = V_{CCP} = 5V

PARAMETER	CONDITIONS	MIN	TYP	MAX	UNITS
Supply Voltage		3		5.5	V
Supply Current			44		mA
Amplifier Characteristics					
V _{OUT} Output Offset	Supply Voltage = 5V, No RFIN		290		mV
	Gain1		295		mV
	Gain2		315		mV
	Gain4		360		mV
	Gain8				mV
	Supply Voltage = 3.3V, No RFIN		280		mV
	Gain1		280		mV
	Gain2		290		mV
	Gain4		315		mV
	Gain8				mV
Demodulation Bandwidth	Gain1, V _{OUT} = 500mV		75		MHz
	Gain2, V _{OUT} = 500mV		52		MHz
	Gain4, V _{OUT} = 500mV		35		MHz
	Gain8, V _{OUT} = 500mV		15		MHz
V _{OUT} Output Voltage Swing	Supply Voltage = 3V to 5V	0.3		V _{CCA} - 1.6	V
Comparator Characteristics					
V _{COMP} Low	Supply Voltage = 5V		0.2		V
V _{COMP} High	Supply Voltage = 5V		4.8		V
Comparator Response Time	10dBm RFIN Step to V _{COMP} 50%		9		ns
Comparator Hysteresis			10		mV
RF Characteristics					
RFIN Frequency Range		0.6		15	GHz
RFIN AC Input Resistance	Frequency = 1000MHz, Power Level = 0dBm		135		Ω
RFIN Input Shunt Capacitance	Frequency = 1000MHz, Power Level = 0dBm		0.77		pF
RFIN Input Power Range		-24		16	dBm
Digital I/O					
	LOW = 0.8V (Max), HIGH = V _{CCA} - 0.8V (Min)				
LEN	Comparator Enable			0.8	V
	Comparator Disable	V _{CCA} - 0.8			V

dc1646af

QUICK START PROCEDURE

data sheet for Typical Performance Characteristics curve or Table 3 for the typical V_{OUTADJ} voltage for the desired V_{OUT} DC output offset in each gain setting.

The VCC_OUT (E12) test point is an alternative output of V_{OUT} (J3 SMA CONNECTOR). Install a 0Ω resistor or a jumper at R5 will have the V_{OUT} at this VCC_OUT test point.

The R7 and C12 footprints are provided for output loading at designed resistance and capacitance.

Demonstration circuit 1646A is easy to setup for evaluating the performance of the LTC5564. Refer to Figure 2 for measurement equipment set-up and follow the procedure below:

A. Measure Detector Output Power (V_{OUT}):

Connect DC power supply's negative (-) lead to demo board GND test point and positive (+) lead (between 3V to 5.5V) to V_{CC} test point.

Connect a DC volt meter to the V_{OUT} port (SMA connector J3) to measure the DC detector output voltage.

Connect signal generator's output to demo board RFIN (SMA connector J1) via coaxial cable. It is common practice to include a 2dB or 3dB attenuation pad to minimize reflections back into the signal generator. (Typical 540mV V_{OUT} with 0dBm input power at 5.8GHz)

B. Measure Comparator Output (V_{COMP}):

Connect DC power supply's negative (-) lead to demo board GND test point and positive (+) lead (between 3V to 5.5V) to V_{CC} test point.

Connect a DC volt meter (or an oscilloscope) to the V_{COMP} port (SMA connector J2) to measure the V_{COMP} switch point voltages.

Set V_{REF} to desired reference voltage. (with 10dBm input power at RFIN, the typical V_{REF} tripped point is 1.23V)

Increase The RF input power level to the point when the V_{COMP} output voltage will go to a high level. (typically $V_{CC} - 0.2V$)

Optional measurements can be done by increasing V_{REF} reference level. During the measurements, when V_{COMP} is HIGH, connect LEN to V_{CC} . Remove the RF input signal and the V_{COMP} will continue to stay high.

Table 3. Gain Mode and Typical V_{OUTADJ} Operation

PIN		GAIN MODE	DESCRIPTION	REQUIRED V_{OUTADJ} FOR A GIVEN DC OUTPUT OFFSET
G1	G0			
GND	GND	GAIN1	Minimum Gain Setting ($V_{OUT}/RFIN \approx 1.5dB$)	$V_{OUTADJ} = 0.95 \cdot V_{OUT} - 0.174$
GND	V_{CCA}	GAIN2	$V_{OUT}/RFIN$ Increased 6dB	$V_{OUTADJ} = (V_{OUT} - 0.07)/2.10$
V_{CCA}	GND	GAIN4	$V_{OUT}/RFIN$ Increased 12dB	$V_{OUTADJ} = (V_{OUT} + 0.05)/3.16$
V_{CCA}	V_{CCA}	GAIN8	$V_{OUT}/RFIN$ Increased 18dB	$V_{OUTADJ} = (V_{OUT} + 0.25)/5.26$

Note: Valid range for $V_{OUT} \approx 0.195V \leq V_{OUT} \leq V_{CC} - 1.6$

QUICK START PROCEDURE

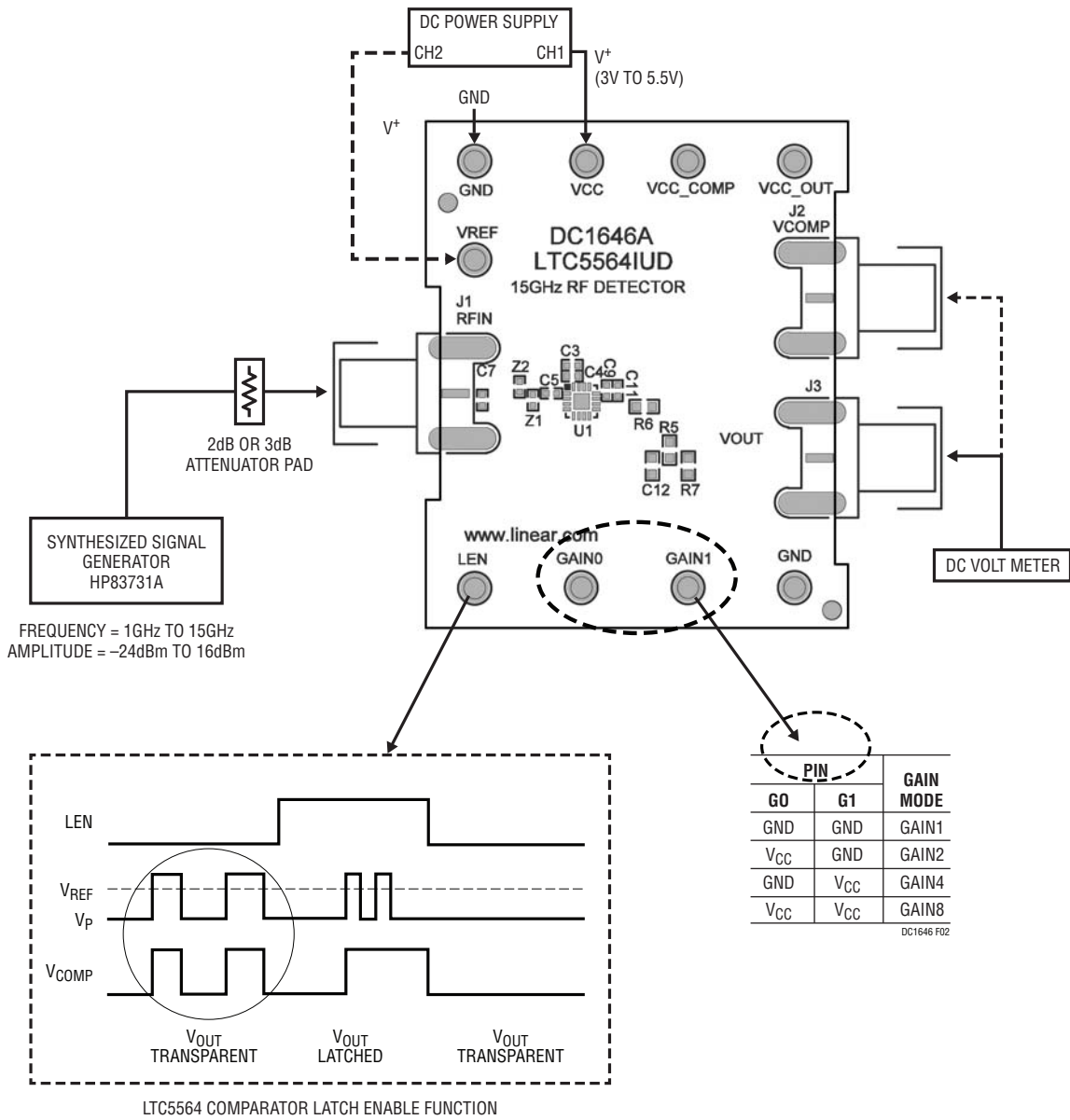


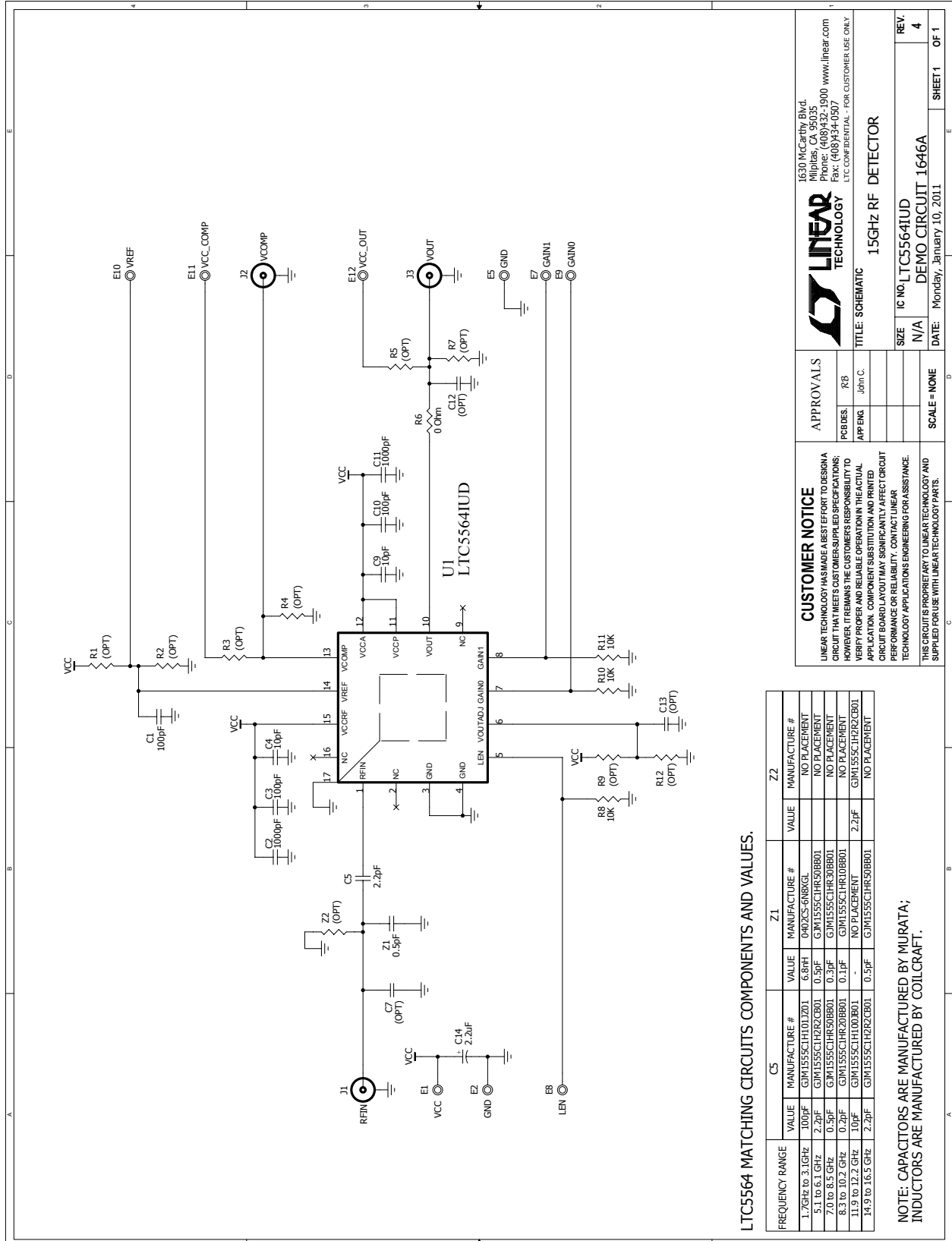
Figure 2. Proper Measurement Equipment Set-Up

DEMO MANUAL DC1646A

PARTS LIST

ITEM	QTY	REFERENCE	PART DESCRIPTION	MANUFACTURER/PART NUMBER
1	3	C1, C3, C10	CAP, NPO 100pF 25V 10% 0402	AVX 04023A101KAT2A
2	2	C2, C11	CAP, X7R 1000pF 50V 10% 0402	AVX 04025C102KAT2A
3	2	C4, C9	CAP, NPO 10pF 25V 10% 0402	AVX 04023A100KAT2A
4	1	C5	CAP, COG 2.2pF 50V ±0.25pF 0402	MURATA GJM1555C1H2R2CB01D
5	0	C7, C13 (OPT)	CAP, 0402	
6	0	C12 (OPT)	CAP, 0603	
7	1	C14	CAP, TANT 2.2µF 20V 20% 3216	AVX TPSA225M020R3000
8	9	E1, E2, E5, E7, E8, E9, E10, E11, E12	TURRET, TESTPOINT 0.063"	MILL MAX 2308-2-00-80-00-00-07-0
9	3	J1, J2, J3	CONN, SMA 50Ω	E. F. JOHNSON 142-0701-851
10	0	R1 to R5, R7, R9, R12 (OPT)	RES, 0603	
11	1	R6	RES/JUMPER, CHIP 0Ω 1/16W 1A 0603	VISHAY CRCW06030000Z0EA
12	3	R8, R10, R11	RES, CHIP 10K 0.06W 5% 0603	VISHAY CRCW060310K0JNEA
13	1	U1	I.C., PRECISION RF PWR DET QFN(16)(UD)3mm × 3mm	LINEAR TECHNOLOGY CORP LTC5564IUD
14	1	Z1	CAP, COG 0.50pF 50V ±0.1pF 0402	MURATA GJM1555C1HR50BB01D
15	0	Z2 (OPT)	RES, 0402	
16	1		FAB, PRINTED CIRCUIT BOARD	DEMO CIRCUIT 1646A
17	1		STENCIL	STENCIL 1646A

SCHEMATIC DIAGRAM



1630 McCarthy Blvd.
Milpitas, CA 95035
Phone: (408)432-1900 www.linear.com
Fax: (408)434-0507
LTC CONFIDENTIAL - FOR CUSTOMER USE ONLY

LINEAR TECHNOLOGY

TITLE: SCHEMATIC
15GHz RF DETECTOR

IC NO. LTC5564IUUD
DEMO CIRCUIT 1646A

REV: 4

DATE: Monday, January 10, 2011

SHEET 1 OF 1

APPROVALS

POBDES: RB
APP ENG: John C.

SCALE = NONE

CUSTOMER NOTICE
LINEAR TECHNOLOGY HAS MADE A BEST EFFORT TO DESIGN A CIRCUIT THAT MEETS CUSTOMER-SUPPLIED SPECIFICATIONS; HOWEVER, IT REMAINS THE CUSTOMER'S RESPONSIBILITY TO VERIFY PROPER AND RELIABLE OPERATION IN THE ACTUAL APPLICATION. COMPONENT SUBSTITUTION AND PRINTED CIRCUIT BOARD LAYOUT MAY SIGNIFICANTLY AFFECT CIRCUIT PERFORMANCE OR RELIABILITY. CONTACT LINEAR TECHNOLOGY APPLICATIONS ENGINEERING FOR ASSISTANCE.

THIS CIRCUIT IS PROPRIETARY TO LINEAR TECHNOLOGY AND SUPPLIED FOR USE WITH LINEAR TECHNOLOGY PARTS.



Information furnished by Linear Technology Corporation is believed to be accurate and reliable. However, no responsibility is assumed for its use. Linear Technology Corporation makes no representation that the interconnection of its circuits as described herein will not infringe on existing patent rights.

DEMO MANUAL DC1646A

DEMONSTRATION BOARD IMPORTANT NOTICE

Linear Technology Corporation (LTC) provides the enclosed product(s) under the following **AS IS** conditions:

This demonstration board (DEMO BOARD) kit being sold or provided by Linear Technology is intended for use for **ENGINEERING DEVELOPMENT OR EVALUATION PURPOSES ONLY** and is not provided by LTC for commercial use. As such, the DEMO BOARD herein may not be complete in terms of required design-, marketing-, and/or manufacturing-related protective considerations, including but not limited to product safety measures typically found in finished commercial goods. As a prototype, this product does not fall within the scope of the European Union directive on electromagnetic compatibility and therefore may or may not meet the technical requirements of the directive, or other regulations.

If this evaluation kit does not meet the specifications recited in the DEMO BOARD manual the kit may be returned within 30 days from the date of delivery for a full refund. **THE FOREGOING WARRANTY IS THE EXCLUSIVE WARRANTY MADE BY THE SELLER TO BUYER AND IS IN LIEU OF ALL OTHER WARRANTIES, EXPRESSED, IMPLIED, OR STATUTORY, INCLUDING ANY WARRANTY OF MERCHANTABILITY OR FITNESS FOR ANY PARTICULAR PURPOSE. EXCEPT TO THE EXTENT OF THIS INDEMNITY, NEITHER PARTY SHALL BE LIABLE TO THE OTHER FOR ANY INDIRECT, SPECIAL, INCIDENTAL, OR CONSEQUENTIAL DAMAGES.**

The user assumes all responsibility and liability for proper and safe handling of the goods. Further, the user releases LTC from all claims arising from the handling or use of the goods. Due to the open construction of the product, it is the user's responsibility to take any and all appropriate precautions with regard to electrostatic discharge. Also be aware that the products herein may not be regulatory compliant or agency certified (FCC, UL, CE, etc.).

No License is granted under any patent right or other intellectual property whatsoever. **LTC assumes no liability for applications assistance, customer product design, software performance, or infringement of patents or any other intellectual property rights of any kind.**

LTC currently services a variety of customers for products around the world, and therefore this transaction **is not exclusive**.

Please read the DEMO BOARD manual prior to handling the product. Persons handling this product must have electronics training and observe good laboratory practice standards. **Common sense is encouraged.**

This notice contains important safety information about temperatures and voltages. For further safety concerns, please contact a LTC application engineer.

Mailing Address:

Linear Technology
1630 McCarthy Blvd.
Milpitas, CA 95035

Copyright © 2004, Linear Technology Corporation

Mouser Electronics

Authorized Distributor

Click to View Pricing, Inventory, Delivery & Lifecycle Information:

[Analog Devices Inc.:](#)

[DC1646A](#)