

LOC
E

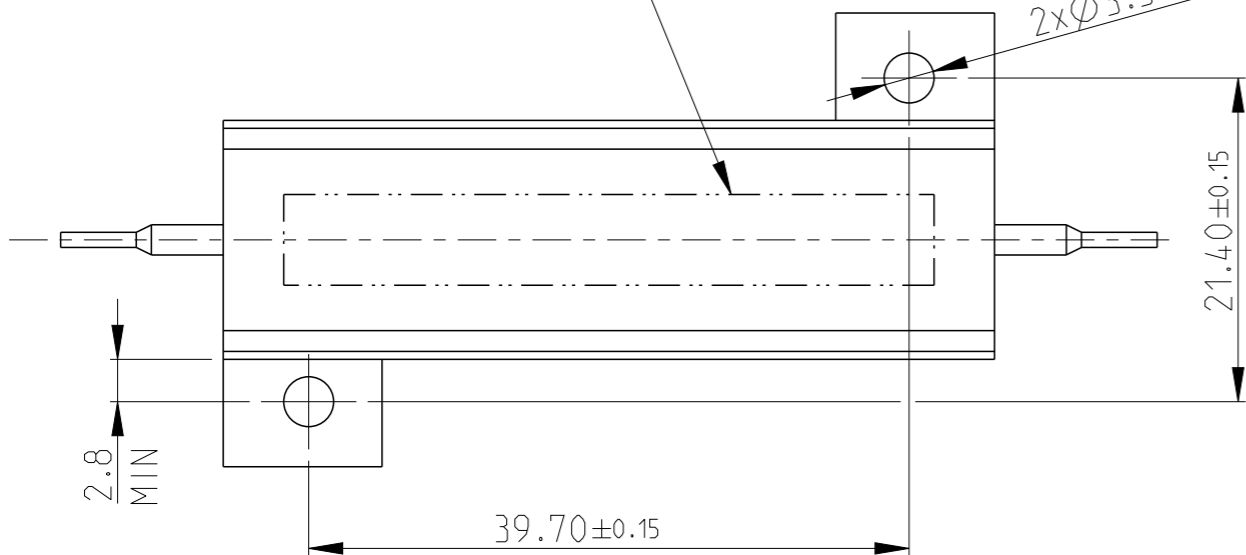
DIST
B

REVISIONS

P	LTR	DESCRIPTION	DATE	DWN	APVD
B2		REVISED PER ECO-11-005150	29MAR2011	RK	HMR
L		ECR-16-003725	12MAR2016	KR	TN

LASER MARKING: TE LOGO PN VALUE
TOLERANCE & DATE CODE

2x $\varnothing 3.3 \pm 0.2$ HOLES



- 1 FOR FURTHER INFORMATION SEE DATA SHEET FOR HS SERIES-ALUMINIUM HOUSED RESISTORS
- 2 FOR A SPECIFIC PN FOR A RESISTANCE VALUE AND TOLERANCE, PLEASE REFER TO DMF
- 3 TECHNICAL SPECIFICATION

DISSIPATION AT 25°C : 50 WATTS MOUNTED
ON STANDARD HEATSINK

BS OHMIC RANGE : R051 TO 72K

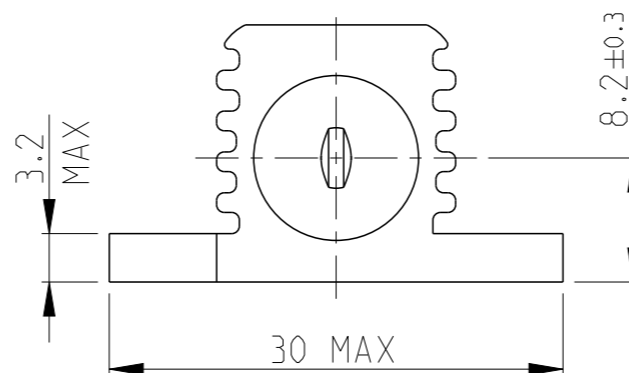
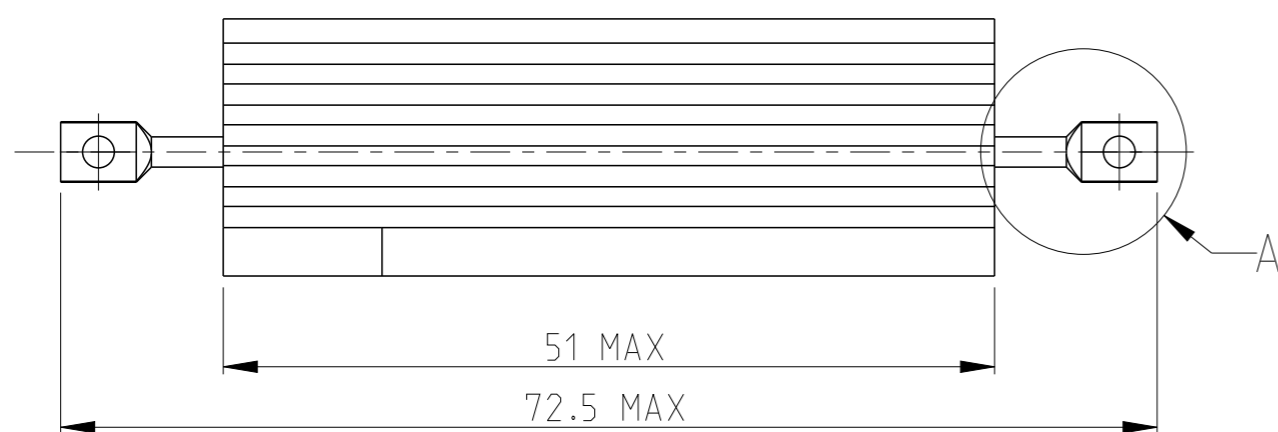
STABILITY : $\Delta R < = 1\%$ PER 1000Hrs

ISOLATION VOLTAGE : 2500V DC/AC pk

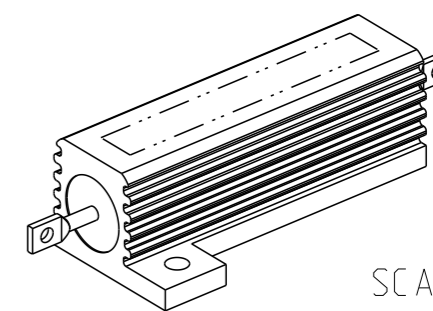
MAX WORKING VOLTAGE : 1250V DC/AC rms

TEMP COEFFICIENT : > 1R0 50ppm
> 100R 25ppm

CLIMATIC CATEGORY : 55/200/56

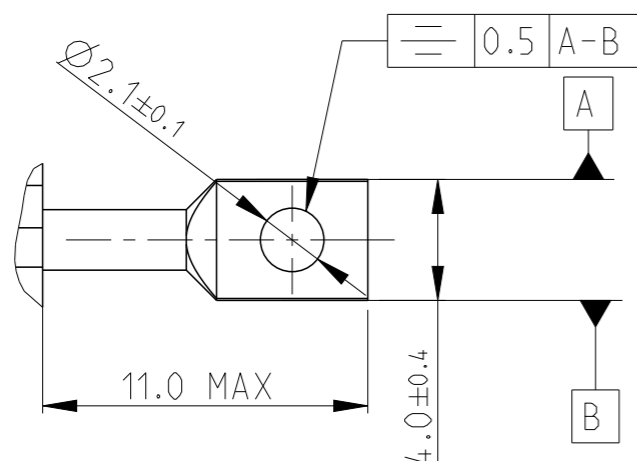


RoHS Compliant



SCALE 1:1

DETAIL A
SCALE 4:1



THIS DRAWING IS A CONTROLLED DOCUMENT.

DWN 22.SEP.05
DAVE KENNEDY

CHK 23.SEP.05
J CATCHPOLE

APVD 23.SEP.05
J CATCHPOLE

PRODUCT SPEC

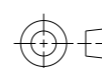
APPLICATION SPEC

WEIGHT

CUSTOMER DRAWING

DIMENSIONS:
mm

TOLERANCES UNLESS
OTHERWISE SPECIFIED:



0 PLC	± 0.5
1 PLC	± 0.2
2 PLC	± 0.1
3 PLC	\pm
4 PLC	\pm
ANGLES	$\pm 5^\circ$
FINISH	-

MATERIAL

-

FINISH

-

NAME



TE Connectivity

HSA50 WIDE BORE

SIZE

A3

00779

CAGE CODE

DRAWING NO

C=1625984

RESTRICTED TO

-

SCALE 3:1

SHEET 1 OF 1

REV L

Mouser Electronics

Authorized Distributor

Click to View Pricing, Inventory, Delivery & Lifecycle Information:

[TE Connectivity:](#)

[HSA5018RJ](#)