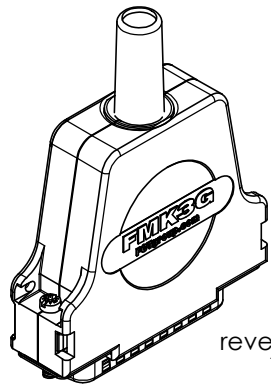
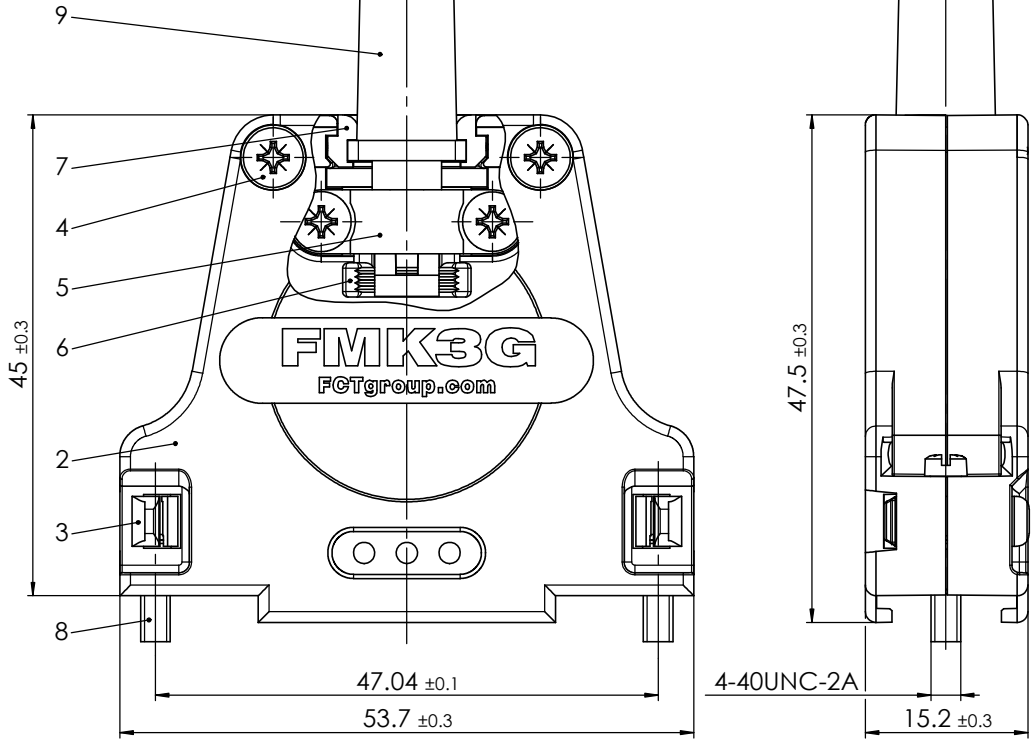
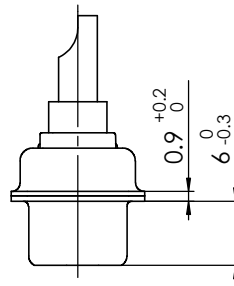
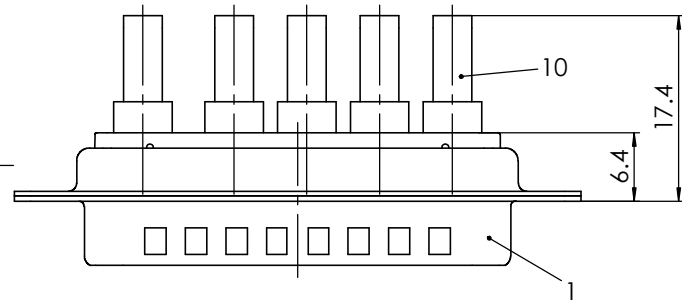
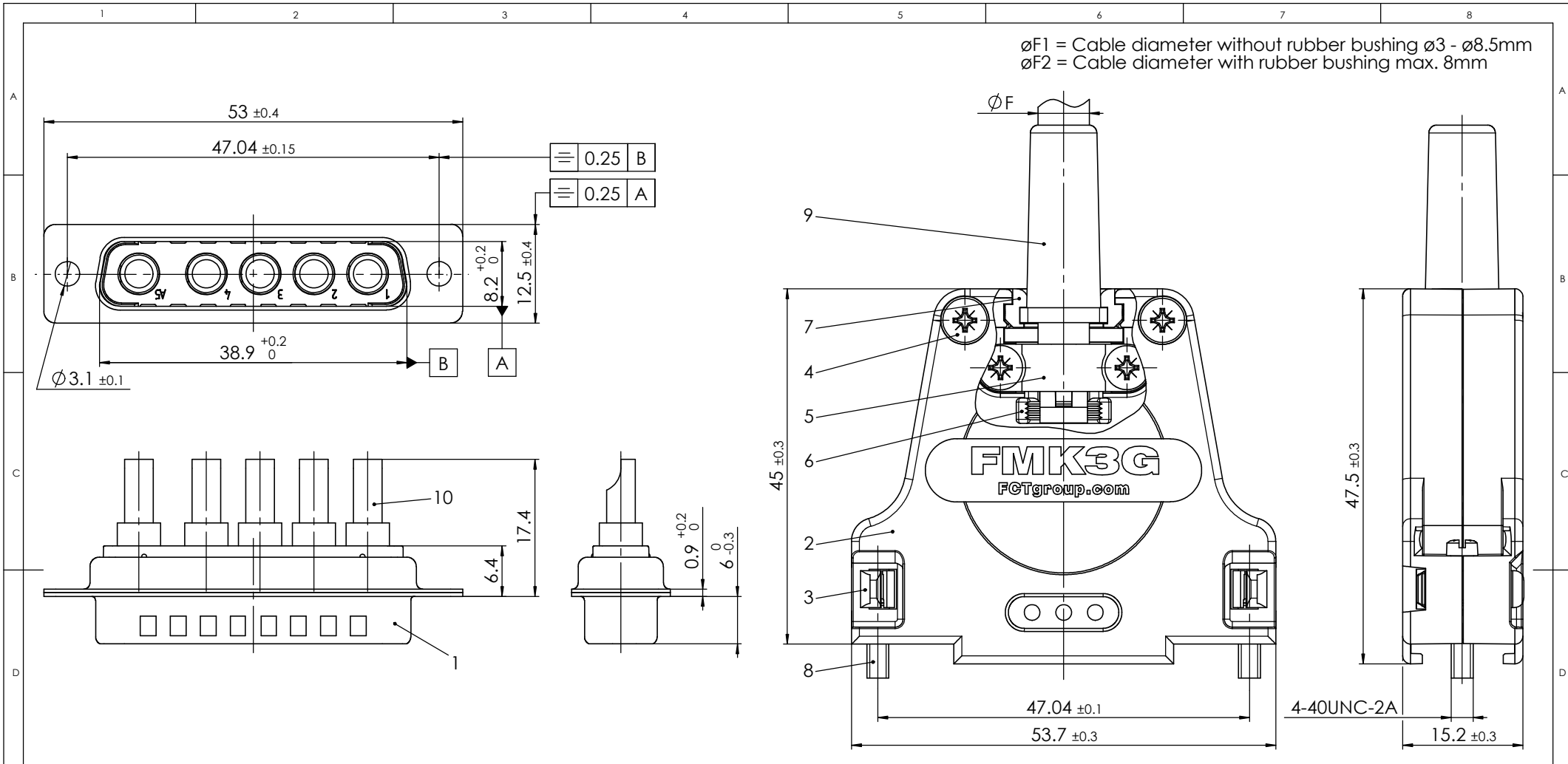


øF1 = Cable diameter without rubber bushing ø3 - ø8.5mm  
 øF2 = Cable diameter with rubber bushing max. 8mm



reverse side  
1:1

RoHS compliant

Packing unit on supplement AM0411

max. torque are 40 Ncm  
 Part-No.9 and 10 not mounted

No.	St.	Part	Type Description/Material	Surface plating/Colour/Class
10	5	High power contact	FMP006P204	AuroPur / 20A / AWG 12-16
9	1	Rubber bushing	TPE	black
8	2	Locking screw	FVS1/5-K1163 4-40 / Steel	nickel plated
7	2	Cable reduction plate	Zinc die-cast	nickel plated
6	1	Strain relief	ABS	nickel plated
5	1	Cable clamp	Steel	tin plated
4	4	Screw	Case hardened steel	zinc plated
3	2	Catch spring	PEI	black
2	1	Hood	FMK3G / Zinc die-cast	nickel plated
1	1	Mixed-Layout Connector	FM5W5P-K120	

REV.	DATE	CH.-NO.	ORIGINAL: DIN A3-DRAWING AS A FILE	REPLACEMENT FOR:	PAGES
1					1

Measurement without tolerance occ. to ISO 2768-m

SCALE 2:1

TITLE

NAME / DATE

DRAWN BWirtek 29-07-2016

CHECKED cschoening 02-08-2016

**FCT**  
a moxlex company

DWG.NO.

REV.

Hood Connector Set

FMK3G-5W5PA-5912

COMMENT: ALL RIGHTS ARE RESERVED BY US FOR THIS DRAWING. WITHOUT OUR PRIOR CONSENT, IT IS NOT ALLOWED TO REPRODUCE, COPY, OR TRANSMIT THIS DRAWING IN ANY FORM OR BY ANY MEANS, ELECTRONIC OR MECHANICAL, INCLUDING PHOTOCOPYING, RECORDING, OR BY ANY INFORMATION STORAGE AND RETRIEVAL SYSTEM. IT IS ALSO NOT ALLOWED TO BE IMPROPERLY USED BY THE RECEIVER, OR A THIRD PARTY.