

NOTE:

MATERIAL

HOUSING:	TPU, BLACK
SHELL:	BRASS
CONTACT:	BRASS
NUT:	BRASS
O-RING:	NBR, BLACK
FINISH	
SHELL:	TIN PLATED
CONTACT:	GOLD PLATED
	OVER 50 μ NICKEL
	NICKEL PLATED

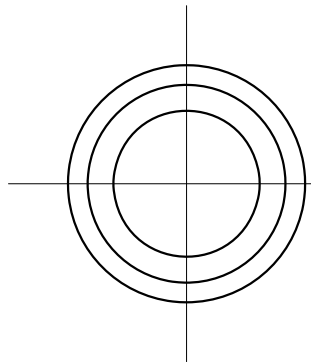
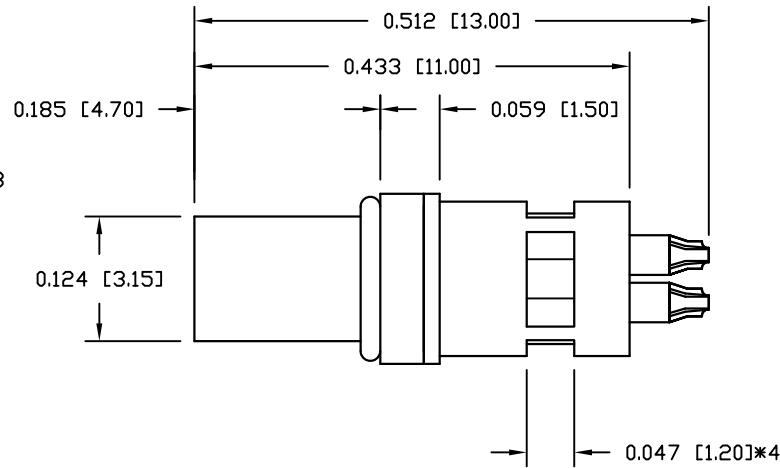
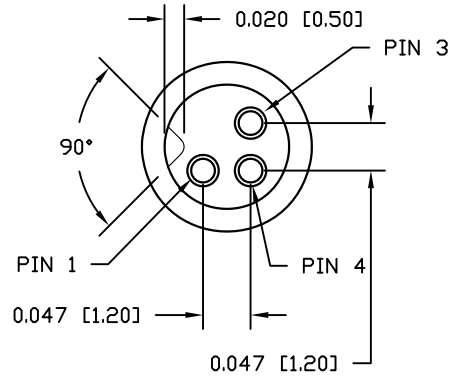
NUT:

ELECTRICAL

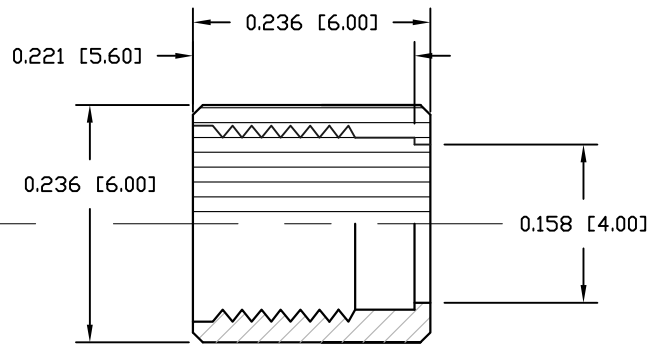
RATED CURRENT:	1A
RATED VOLTAGE:	60V
INSULATION RESISTANCE:	100 M Ω MIN.
CONTACT RESISTANCE:	10 m Ω MAX.
WATER PROOF:	IP67

ENVIRONMENT

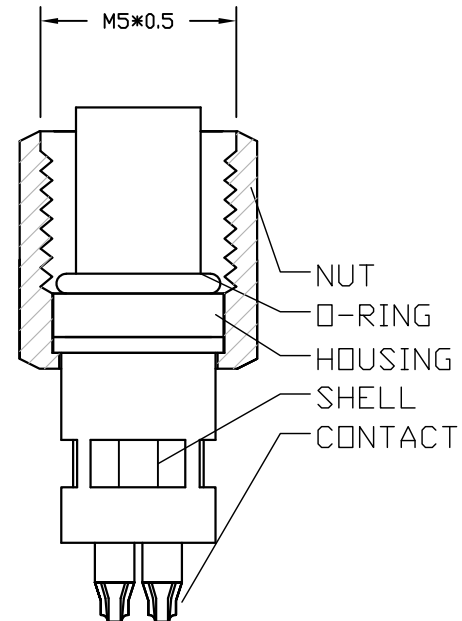
OPERATION TEMPERATURE:	-40°C TO +85°C
WIRE GAUGE:	26-28 AWG
MATING TORQUE:	= 1.5 in lbs max.



NUT



850-003-203RSSY



1 = GOLD FLASH
4 = 10 μ " GOLD

RoHS COMPLIANT

UNITS = inch [mm]

DO NOT SCALE FROM DRAWING



THESE DRAWINGS AND SPECIFICATIONS ARE THE PROPERTY OF NorComp AND SHALL NOT BE REPRODUCED, COPIED OR USED AS THE BASIS FOR THE MANUFACTURE OR SALE OF APPARATUS WITHOUT WRITTEN PERMISSION.

DRAWN:

M. SIGMON

DATE:

03-03-16

NorComp

SCALE:
NTS

SHEET OF
1 1

REV
5

DWG NO.

850-003-203RSSY

Mouser Electronics

Authorized Distributor

Click to View Pricing, Inventory, Delivery & Lifecycle Information:

[NorComp:](#)

[850-003-203RSS1](#) [850-003-203RSS4](#)