

4

3

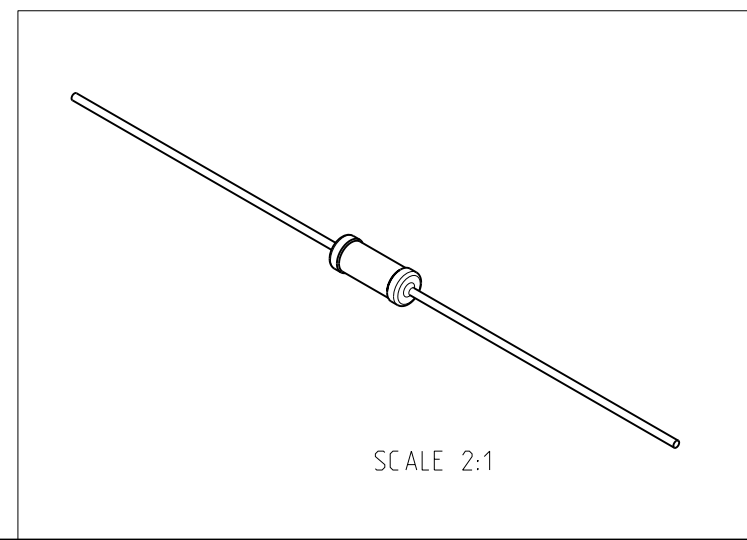
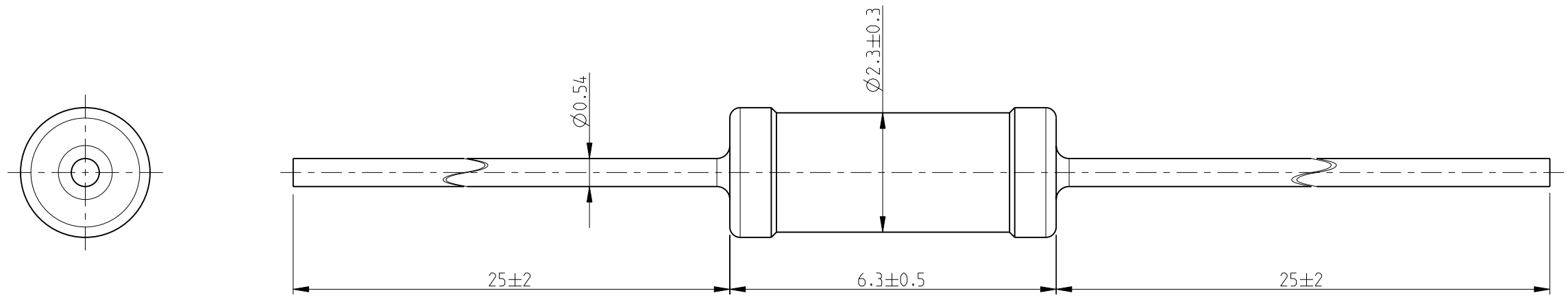
2

1

THIS DRAWING IS UNPUBLISHED. RELEASED FOR PUBLICATION 2009
 © COPYRIGHT 2009 BY TYCO ELECTRONICS CORPORATION. ALL RIGHTS RESERVED.

LOC	DIST	REVISIONS			
P	LTR	DESCRIPTION	DATE	DWN	APVD
E	B	BA	NEW RELEASE	29-JUL-09	SM St.P

FOR FURTHER INFORMATION SEE DATA SHEET FOR
 SERIES FRN: FLAME-PROOF FUSIBLE RESISTORS



<small>THIS DRAWING IS A CONTROLLED DOCUMENT FOR TYCO ELECTRONICS CORPORATION IT IS SUBJECT TO CHANGE AND THE CONTROLLING ENGINEERING ORGANIZATION SHOULD BE CONTACTED FOR THE LATEST REVISION.</small>		DWN SUBHASH.M 29-JUL-09 CHK ALLAN.P 29-JUL-09 APVD STEPHEN.P 29-JUL-09	Tyco Electronics Corporation Dorcan, Swindon, SN3 5HH	
DIMENSIONS: mm	TOLERANCES UNLESS OTHERWISE SPECIFIED: 0 PLC ±0.2 1 PLC ±0.1 2 PLC ± 3 PLC ± 4 PLC ± ANGLES ±5°	PRODUCT SPEC - APPLICATION SPEC - WEIGHT -	NAME FLAME-PROOF FUSIBLE RESISTORS SERIES FRN25	
MATERIAL -	FINISH -	SIZE A3 CAGE CODE 00779 DRAWING NO C-1625878	RESTRICTED TO -	
CUSTOMER DRAWING		SCALE 10:1	SHEET 1 OF 1	REV BA

Mouser Electronics

Authorized Distributor

Click to View Pricing, Inventory, Delivery & Lifecycle Information:

[TE Connectivity:](#)

[FRN25J10R](#)