

4

3

2

1

THIS DRAWING IS UNPUBLISHED. RELEASED FOR PUBLICATION 2008
 © COPYRIGHT 2008 - ALL RIGHTS RESERVED.

LOC	DIST	REVISIONS			
P	LTR	DESCRIPTION	DATE	DWN	APVD
	BA1	REVISED PER ECO-11-005150	29MAR2011	RK	HMR

FOR FURTHER INFORMATION SEE DATA SHEET FOR
 SERIES RGP- METAL GLAZE FIXED RESISTORS

D

D

C

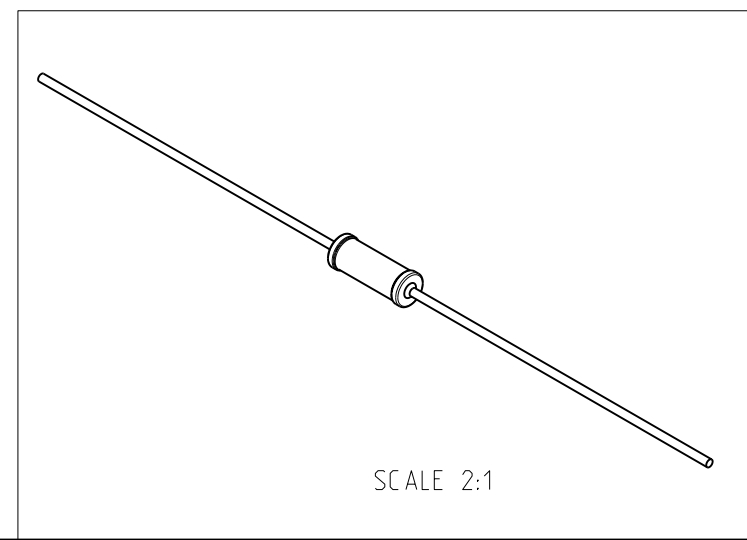
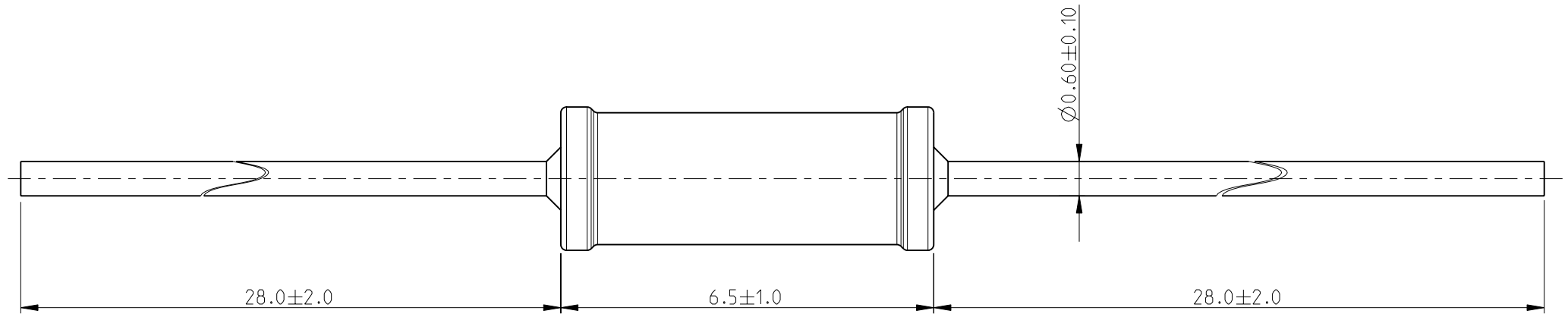
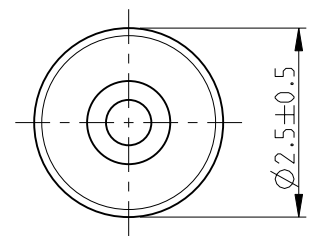
C


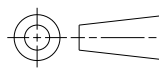
B

B

A

A



THIS DRAWING IS A CONTROLLED DOCUMENT.		DWN	SUBHASH.M 22-DEC-08		 TE Connectivity METAL GLAZE FIXED RESISTORS STYLE RGP0207CH
DIMENSIONS:		CHK	PRAKASH.S 22-DEC-08		
mm		APVD	STEPHEN.P 22-DEC-08		
		PRODUCT SPEC	-		
TOLERANCES UNLESS OTHERWISE SPECIFIED:		APPLICATION SPEC	-		NAME
0 PLC	± 0.2	WEIGHT	-		SIZE
1 PLC	± 0.1	CUSTOMER DRAWING	SCALE 10:1		CAGE CODE
2 PLC	$\pm -$	SCALE	10:1		DRAWING NO
3 PLC	$\pm -$	SHEET	1 OF 1		RESTRICTED TO
4 PLC	$\pm -$	REV	BA1		-
ANGLES	$\pm 5^\circ$				
MATERIAL	-				
FINISH	-				

Mouser Electronics

Authorized Distributor

Click to View Pricing, Inventory, Delivery & Lifecycle Information:

[TE Connectivity:](#)

[RGP0207CHJ47M](#)