

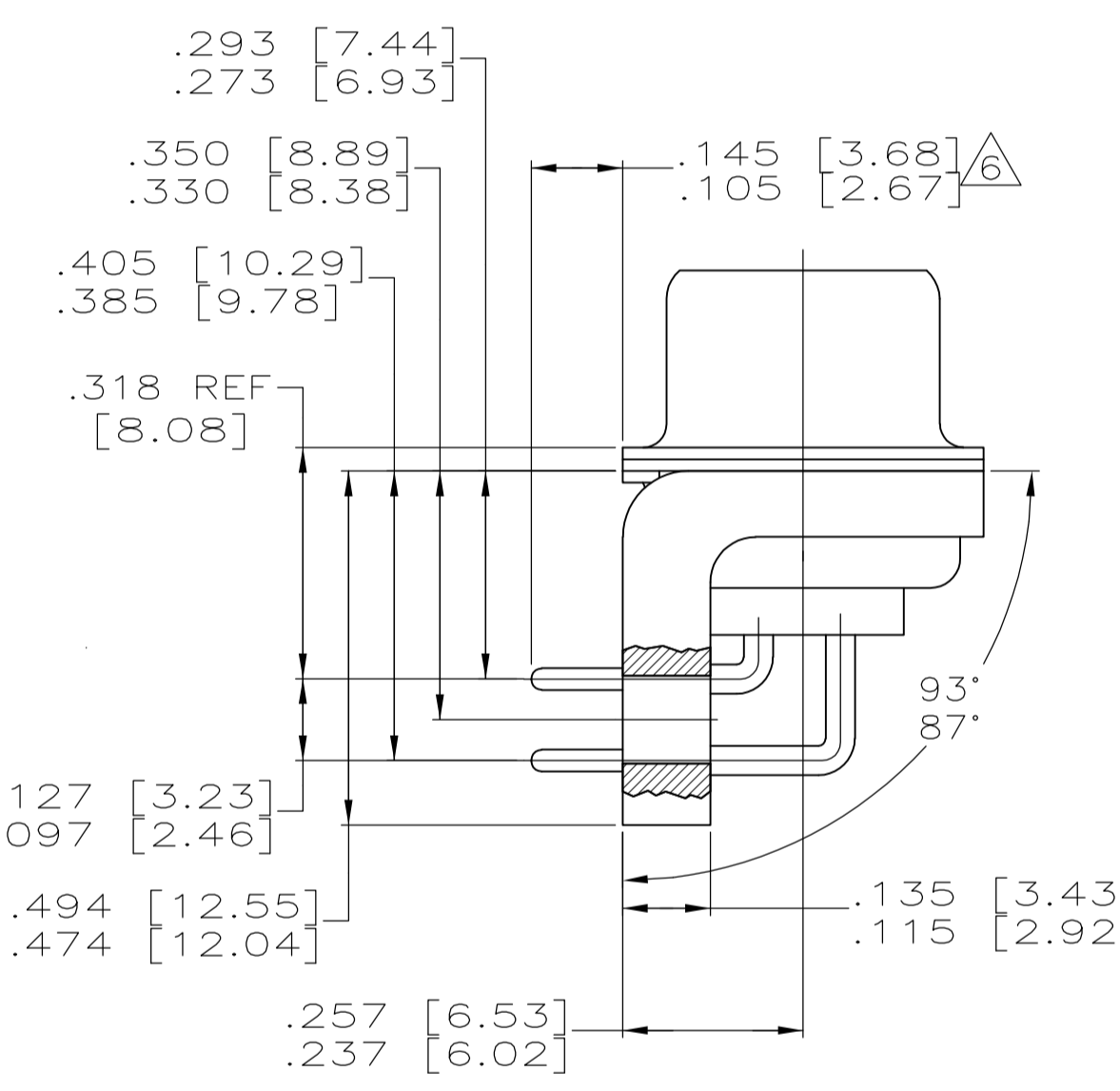
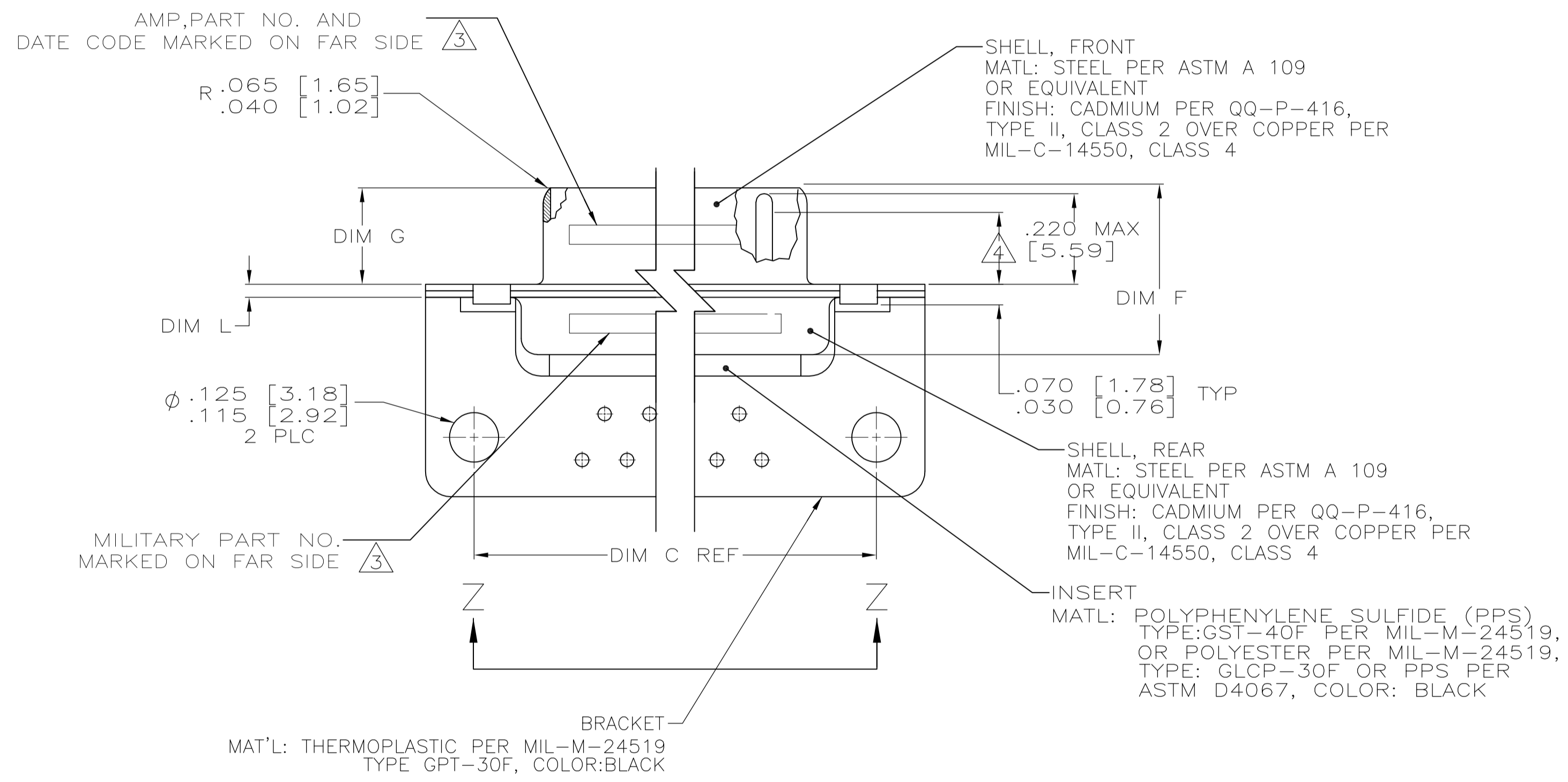
CONTACT (QTY = NO. OF POSN)
MATL: BRASS PER ASTM-B-16, OR BERYLLIUM COPPER PER ASTM-B-194
FINISH: GOLD PER MIL-G-45204, TYPE II, GRADE C, CLASS 1 IN CONTACT MATING AREA, .000010 [0.0003] MIN THK GOLD PER MIL-G-45204 OVER .000050 [0.0013] MIN THK NICKEL PER QQ-N-290 ON CONTACT BODY

- 1. SEE SHEET 2 FOR RECOMMENDED P.C. BOARD LAYOUT. TRUE POSITION TOLERANCE FOR P.C. BOARD LAYOUT IS .010 [0.25] AT MAX MATERIAL CONDITION. SUGGESTED BOARD THICKNESS IS .062 [1.57]
- 2. THE CONNECTORS DESCRIBED IN THIS DOCUMENT MEET THE REQUIREMENTS OF MIL-C-24308 AND MATE WITH ANY RECEPTACLE CONNECTOR WITH SAME INSERT ARRANGEMENT.
- 3. MARKED WITH .047 [1.19]-.062 [1.57] HIGH CHARACTERS. FAR SIDE REFERS TO THE WIDE SIDE OF THE KEYSTONE. NEAR SIDE REFERS TO THE NARROW SIDE OF THE KEYSTONE. IF THE REAR SHELL IS TOO SMALL FOR THE ENTIRE MILITARY PART NUMBER, MARKING SHALL BE LOCATED AS FOLLOWS:
 - A. "M24308" ON FRONT SHELL, FAR SIDE.
 - B. SLASH SHEET AND DASH NUMBER ON REAR SHELL, FAR SIDE.
 - C. "AMP" AND DATE CODE ON FRONT SHELL, NEAR SIDE.
 - D. PART NUMBER ON REAR SHELL, NEAR SIDE.

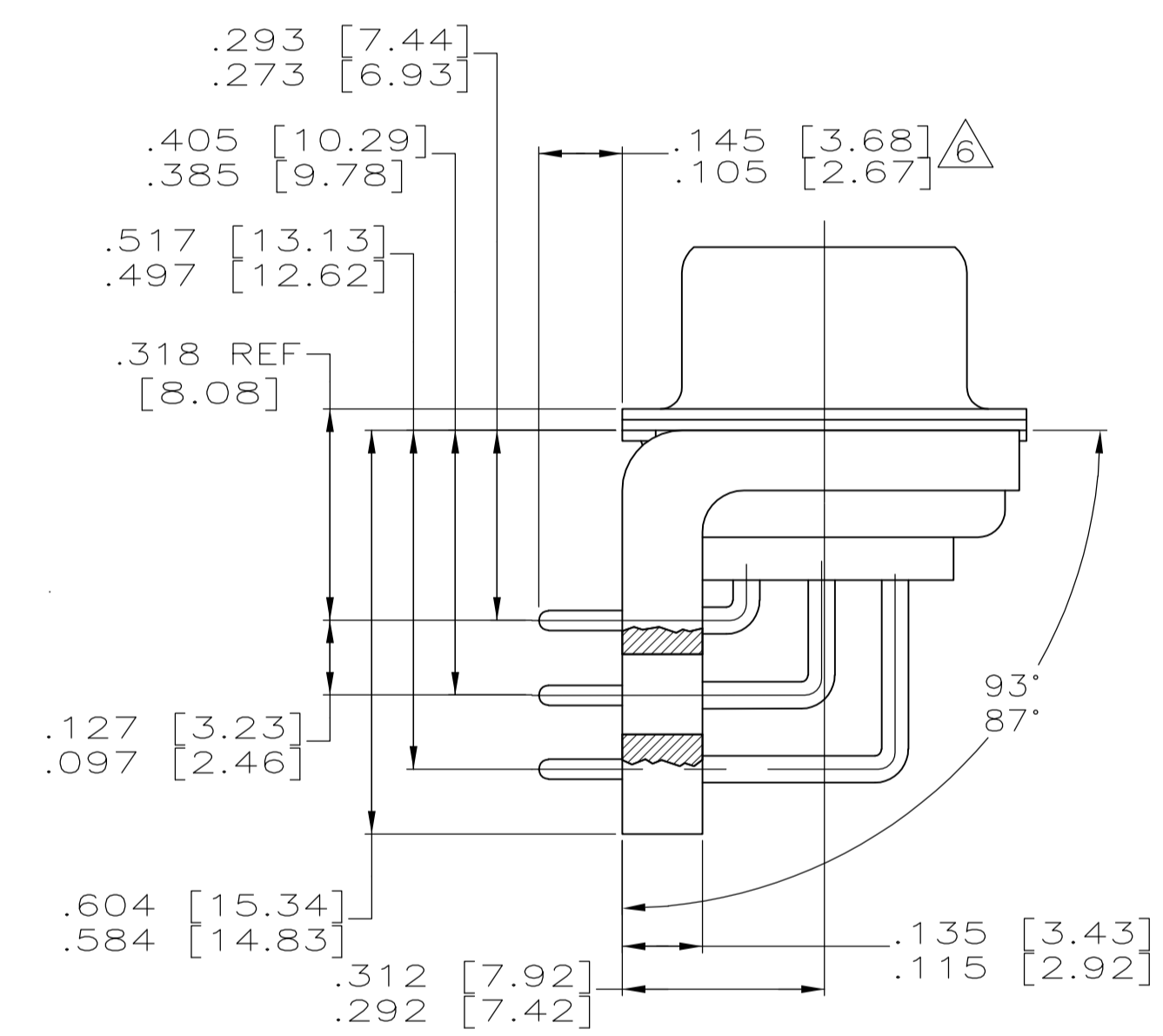
IF THE FRONT SHELL IS TOO SMALL FOR "AMP", PART NUMBER AND DATE CODE, MARKING SHALL BE SPLIT AS FOLLOWS:

- A. PART NUMBER ON REAR SHELL, NEAR SIDE.
- B. "AMP" AND DATE CODE ON FRONT SHELL, NEAR SIDE.
- C. MILITARY PART NUMBER ON REAR SHELL, FAR SIDE.

- 4. REQUIREMENT FOR FULL PIN DIAMETER EXTENSION: .159 [4.04] MIN, SHELL SIZES 1 AND 2. .150 [3.81] MIN, SHELL SIZES 3 AND 4.
- 5. THIS DRAWING SHALL BE INTERPRETED IN ACCORDANCE WITH APPLICABLE STANDARDS LISTED IN MIL-STD-100.
- 6. SOLDER DIPPED PER MIL-STD-2000 COMPOSITION Sn63 CONFORMING TO QQ-S-571 IN THE ENTIRE AREA OF DIMENSION SHOWN. 1218440-6 THRU -10 ONLY.



SHELL SIZES 1 THRU 4 CONTACT CONFIGURATION



SHELL SIZE 5 CONTACT CONFIGURATION

| | | | | | | | | | | | | | | | |
|----------------------------|------------------------------|--------------------------------|----------------------------|------------------------------|------------------------------|------------------------------|--------------------------------|--------------------------------|--------------------------------|-----------|----|---|---------------|-----------|-------------|
| .049 [1.24] .029 [0.74] | .544 [13.82] .524 [13.31] | 2.188 [55.58] 2.168 [55.07] | .236 [5.99] .224 [5.69] | .436 [11.07] .416 [10.57] | .620 [15.75] .590 [14.99] | .446 [11.33] .436 [11.07] | 2.411 [61.24] 2.401 [60.99] | 2.084 [52.55] 2.074 [52.30] | 2.650 [67.31] 2.620 [66.55] | MS18277-1 | 50 | 5 | M24308/24-29F | 1218440-5 | 1-1218440-0 |
| .049 [1.24] .029 [0.74] | .432 [10.97] .412 [10.46] | 2.282 [57.96] 2.262 [57.45] | .236 [5.99] .224 [5.69] | .436 [11.07] .416 [10.57] | .509 [12.93] .479 [12.17] | .334 [8.48] .324 [8.23] | 2.505 [63.63] 2.495 [63.37] | 2.187 [54.97] 2.177 [54.71] | 2.744 [69.70] 2.714 [68.94] | MS18276-1 | 37 | 4 | M24308/24-28F | 1218440-4 | 1218440-9 |
| .049 [1.24] .029 [0.74] | .432 [10.97] .412 [10.46] | 1.635 [41.53] 1.615 [41.02] | .236 [5.99] .224 [5.69] | .436 [11.07] .416 [10.57] | .509 [12.93] .479 [12.17] | .334 [8.48] .324 [8.23] | 1.857 [47.17] 1.847 [46.91] | 1.539 [38.51] 1.529 [38.25] | 2.103 [53.42] 2.073 [52.65] | MS18275-1 | 25 | 3 | M24308/24-27F | 1218440-3 | 1218440-8 |
| .040 [1.02] .020 [0.51] | .432 [10.97] .412 [10.46] | 1.093 [27.76] 1.073 [27.25] | .238 [6.05] .229 [5.82] | .432 [10.97] .412 [10.46] | .509 [12.93] .479 [12.17] | .334 [8.48] .324 [8.23] | 1.317 [33.45] 1.307 [33.20] | .999 [24.79] .989 [24.54] | 1.556 [39.52] 1.526 [38.76] | MS18274-1 | 15 | 2 | M24308/24-26F | 1218440-2 | 1218440-7 |
| .040 [1.02] .020 [0.51] | .432 [10.97] .412 [10.46] | .769 [19.53] .749 [19.02] | .238 [6.05] .229 [5.82] | .432 [10.97] .412 [10.46] | .509 [12.93] .479 [12.17] | .334 [8.48] .324 [8.23] | .989 [25.12] .979 [24.87] | .671 [16.46] .661 [16.21] | 1.228 [31.19] 1.198 [30.43] | MS18273-1 | 9 | 1 | M24308/24-25F | 1218440-1 | 1218440-6 |
| .049 [1.24] .029 [0.74] | .544 [13.82] .524 [13.31] | 2.188 [55.58] 2.168 [55.07] | .236 [5.99] .224 [5.69] | .436 [11.07] .416 [10.57] | .620 [15.75] .590 [14.99] | .446 [11.33] .436 [11.07] | 2.411 [61.24] 2.401 [60.99] | 2.084 [52.55] 2.074 [52.30] | 2.650 [67.31] 2.620 [66.55] | MS18277-1 | 50 | 5 | M24308/24-29F | 1218440-5 | 1218440-5 |
| .049 [1.24] .029 [0.74] | .432 [10.97] .412 [10.46] | 2.282 [57.96] 2.262 [57.45] | .236 [5.99] .224 [5.69] | .436 [11.07] .416 [10.57] | .509 [12.93] .479 [12.17] | .334 [8.48] .324 [8.23] | 2.505 [63.63] 2.495 [63.37] | 2.187 [54.97] 2.177 [54.71] | 2.744 [69.70] 2.714 [68.94] | MS18276-1 | 37 | 4 | M24308/24-28F | 1218440-4 | 1218440-4 |
| .049 [1.24] .029 [0.74] | .432 [10.97] .412 [10.46] | 1.635 [41.53] 1.615 [41.02] | .236 [5.99] .224 [5.69] | .436 [11.07] .416 [10.57] | .509 [12.93] .479 [12.17] | .334 [8.48] .324 [8.23] | 1.857 [47.17] 1.847 [46.91] | 1.539 [38.51] 1.529 [38.25] | 2.103 [53.42] 2.073 [52.65] | MS18275-1 | 25 | 3 | M24308/24-27F | 1218440-3 | 1218440-3 |
| .040 [1.02] .020 [0.51] | .432 [10.97] .412 [10.46] | 1.093 [27.76] 1.073 [27.25] | .238 [6.05] .229 [5.82] | .432 [10.97] .412 [10.46] | .509 [12.93] .479 [12.17] | .334 [8.48] .324 [8.23] | 1.317 [33.45] 1.307 [33.20] | .999 [24.79] .989 [24.54] | 1.556 [39.52] 1.526 [38.76] | MS18274-1 | 15 | 2 | M24308/24-26F | 1218440-2 | 1218440-2 |
| .040 [1.02] .020 [0.51] | .432 [10.97] .412 [10.46] | .769 [19.53] .749 [19.02] | .238 [6.05] .229 [5.82] | .432 [10.97] .412 [10.46] | .509 [12.93] .479 [12.17] | .334 [8.48] .324 [8.23] | .989 [25.12] .979 [24.87] | .671 [16.46] .661 [16.21] | 1.228 [31.19] 1.198 [30.43] | MS18273-1 | 9 | 1 | M24308/24-25F | 1218440-1 | 1218440-1 |

.030 [0.76] MAX EXTENSION PERMISSIBLE DUE TO SOLDER DIP

DETAIL K
SCALE 8:1
FOR 1218440-6 THRU -10 ONLY

THIS DRAWING IS A CONTROLLED DOCUMENT.

| | | | |
|--------------------|--|------------------|------------------|
| DIMENSIONS: INCHES | TOLERANCES UNLESS OTHERWISE SPECIFIED: | APVD: CHAD BAKER | NAME: CHAD BAKER |
| 0 PLC ± .005 | 1 PLC ± .005 | DATE: 11-3-99 | SIZE: 11-3-99 |
| 2 PLC ± .005 | 3 PLC ± .005 | CHK: CHAD BAKER | DATE: 12-3-99 |
| 4 PLC ± .005 | ANGLES ± .1° | DATE: 12-3-99 | DATE: 12-3-99 |

MATERIAL: SEE CALLOUTS

FINISH: -

WEIGHT: -

CUSTOMER DRAWING

SCALE: 4:1

SHEET: 1 OF 2

REV: C1

STE TE Connectivity

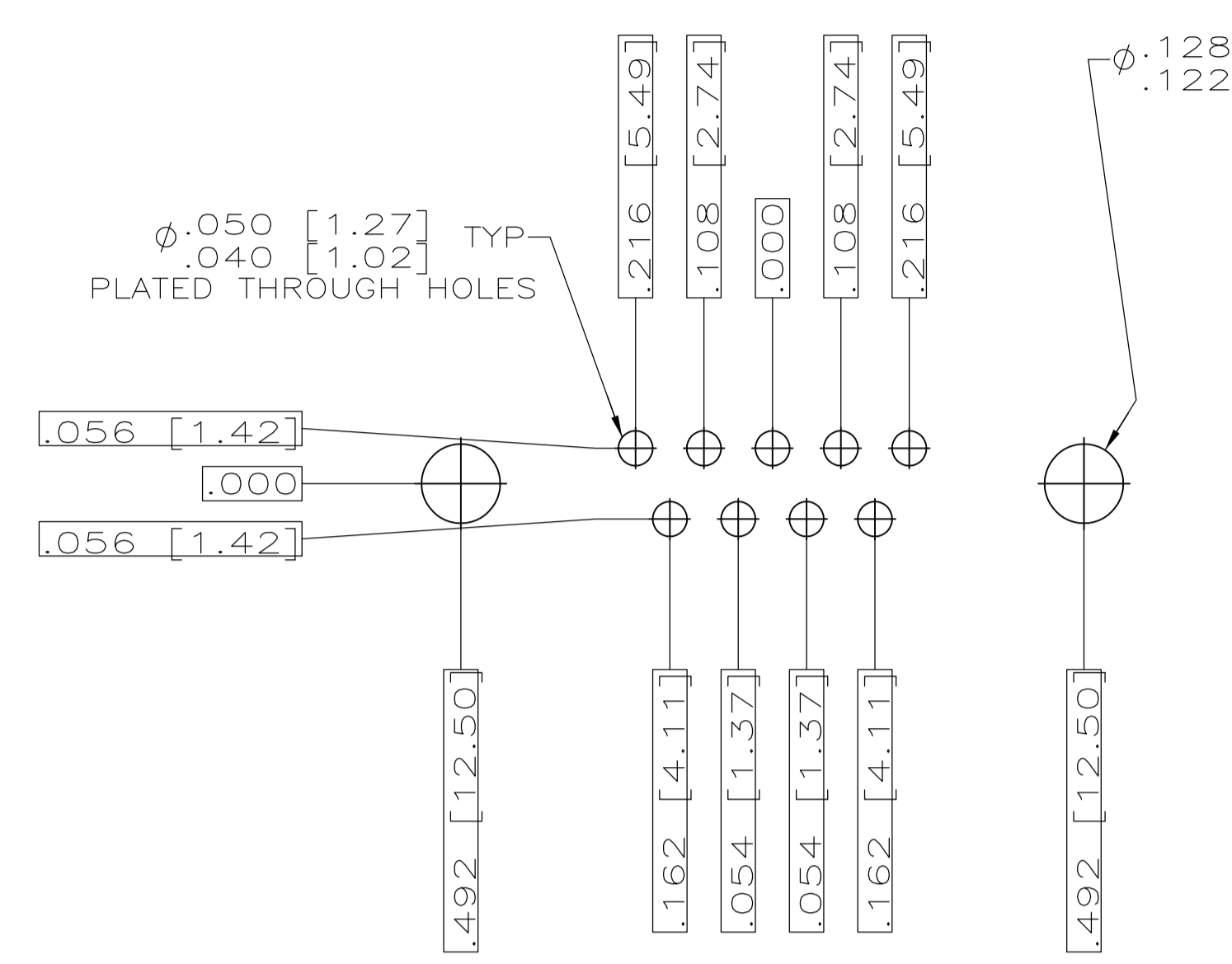
PLUG ASSY, AMPLITE RIGHT ANGLE, SERIES 109 SIZES 1 THRU 5

SIZE: A1

DATE CODE: 00779

DRAWING NO: 1218440

RESTRICTED TO: -



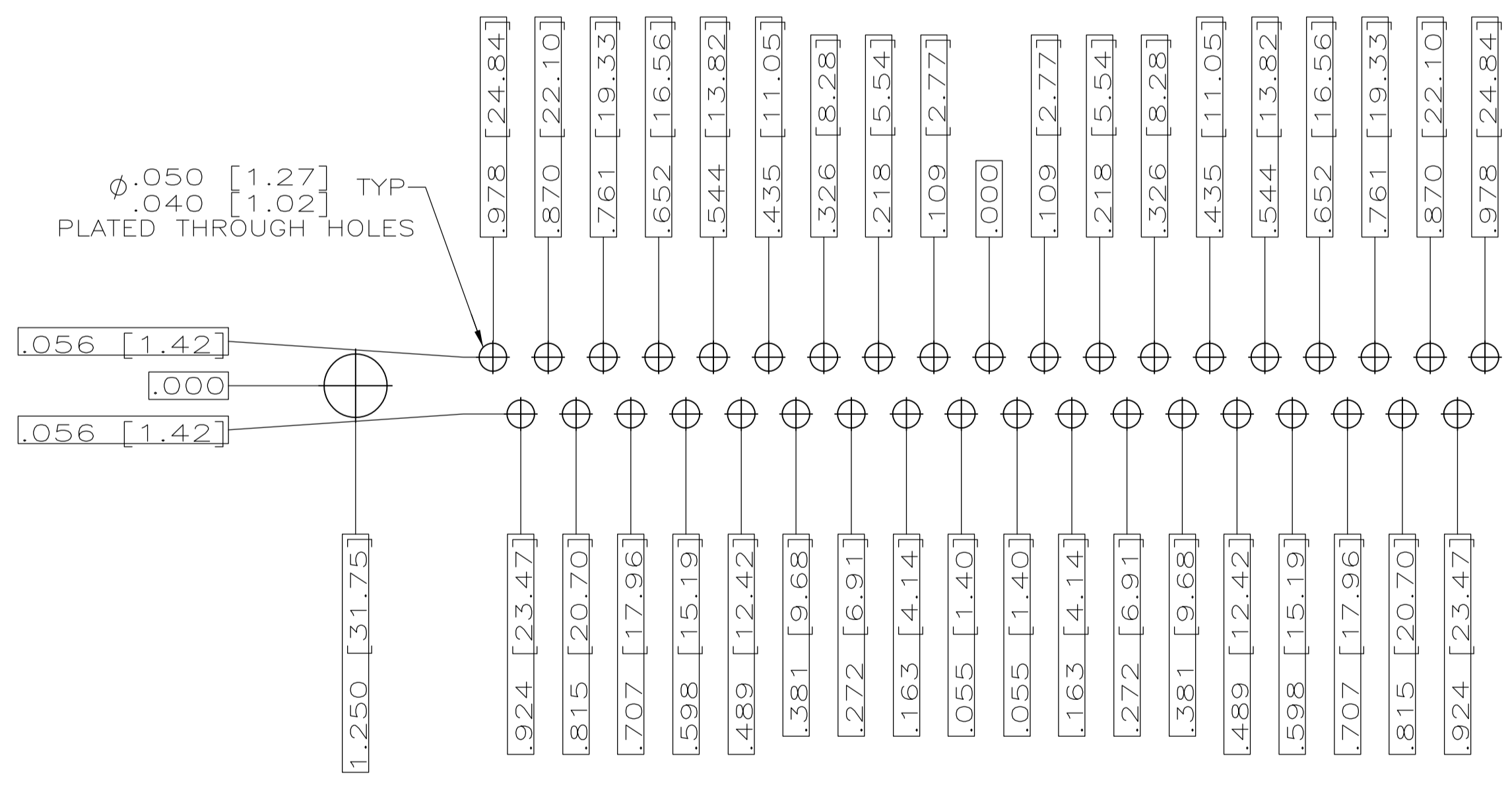
RECOMMENDED P.C. BOARD LAYOUT
SHELL SIZE 1 (9 POSITION) ⚠



RECOMMENDED P.C. BOARD LAYOUT
SHELL SIZE 2 (15 POSITION) ⚠



RECOMMENDED P.C. BOARD LAYOUT
SHELL SIZE 3 (25 POSITION) ⚠



RECOMMENDED P.C. BOARD LAYOUT
SHELL SIZE 4 (37 POSITION) ⚠



RECOMMENDED P.C. BOARD LAYOUT
SHELL SIZE 5 (50 POSITION) ⚠

| | | | |
|---|----------------------|---|---|
| THIS DRAWING IS A CONTROLLED DOCUMENT. | | DWN: C.C.THOMAS 11-3-99 CHK: CHAD BAKER 12-15-99 APVD: CHAD BAKER 12-15-99 PRODUCT SPEC: - APPLICATION SPEC: - FINISH: - WEIGHT: - CUSTOMER DRAWING: - | NAME: PLUG ASSY,AMPLIMITE RIGHT ANGLE,SERIES 109,SIZE 1 THRU 5 SIZE: A1 CAGE CODE: 00779 DRAWING NO: 1218440 SCALE: 4:1 SHEET: 2 OF 2 REV: C1 |
| DIMENSIONS: INCHES TOLERANCES UNLESS OTHERWISE SPECIFIED: 0 PL ± .005 1 PL ± .005 2 PL ± .005 3 PL ± .005 4 PL ± .005 ANGLES ± .4° | FINISH: SEE CALLOUTS | THIS DRAWING IS UNPUBLISHED. RELEASED FOR PUBLICATION. ALL RIGHTS RESERVED. | |

Mouser Electronics

Authorized Distributor

Click to View Pricing, Inventory, Delivery & Lifecycle Information:

[TE Connectivity:](#)

[1218440-3](#)