

C. Westoby 11-18-91

DESCRIPTION	APP'D./DATE	REV
		3

SAFETY ORGANIZATION(S)

THIS FILTER HAS BEEN FORMALLY RECOGNIZED, CERTIFIED OR APPROVED BY THE LISTED AGENCY. THEREFORE, ALL TEST/REQUIREMENTS SPECIFIED IN THE LATEST REVISION OF THE FOLLOWING AGENCY STANDARDS HAVE BEEN MET.

UL RECOGNIZED  
 CSA CERTIFIED  
 VDE APPROVED

UL 544  
 CSA 22.2, NO. 0, 0.4, 8  
 VDE 565-3, 625

OPERATING SPECIFICATIONS:

LINE VOLTAGE/CURRENT:  
 10 AMP., 120/250 VAC  
 10 AMP./40°C, 250 VAC  
 50-60HZ  
 40°C

LINE FREQUENCY,  
 MAX. CASE RISE & RATED CURRENT,  
 MAX. LEAKAGE CURRENT, EACH  
 LINE TO GROUND  
 2µA at 120V 60 Hz  
 5µA at 250V 50 Hz

OPERATING AMBIENT TEMP. RANGE,  
 IN AN AMBIENT,  $T_a$ , HIGHER THAN 40°C, THE MAXIMUM OPERATING  
 CURRENT,  $I_o$ , IS AS FOLLOWS:  
 $I_o = I_r \sqrt{\frac{85-T_a}{45}}$

RELIABILITY SPECIFICATIONS:

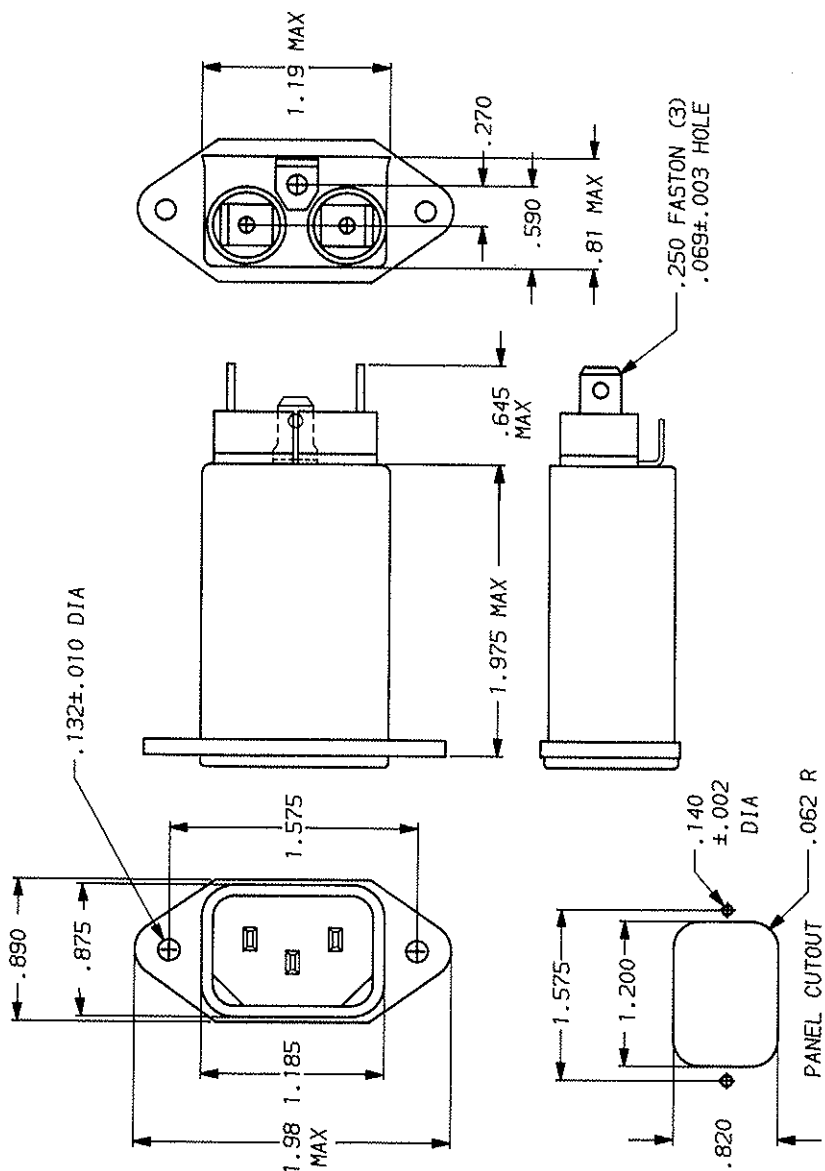
STORAGE TEMPERATURE,  
 HUMIDITY,  
 CURRENT OVERLOAD TEST,  
 TEST SPECIFICATIONS:  
 INDUCTANCE,  
 CAPACITANCE, (MEASURED @ 1 KHz, 0.25 VAC MAX., 25°C ±1°C)  
 LINE TO LINE,  
 DISCHARGE RESISTOR,  
 LINE/GROUND AND LINE/LINE  
 INSULATION RESISTANCE  
 (W/O DISCHARGE RESISTOR)  
 RECOMMENDED RECEIVING INSPECTION HIPOT,  
 LINES TO GROUND,  
 LINE TO LINE,

-.275 mH NOMINAL (6nd Choke)  
 .36 mH NOMINAL  
 .01µF ±20%  
 1.5 Ma  
 6000 Ma (MIN) AT 100 VDC  
 20°C AND 50% RH

2250 VDC FOR 1 MINUTE  
 1450 VDC FOR 1 MINUTE

FILTER APPROVAL:

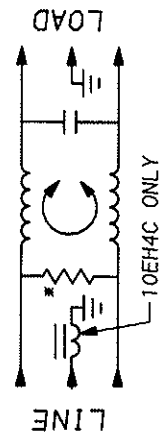
THE BEST WAY TO SELECT AND QUALIFY A FILTER IS FOR YOUR ENGINEERING TO TEST THE UNIT IN YOUR EQUIPMENT.



FREQUENCY MHZ	1.5	1.0	2.0	5.0	10	20	30
COMMON	7	13	15	17	17	16	15
dB							

50µ - 50µ (MINIMUM) INSERTION LOSS

This document is proprietary to CORCOM INC. and is not to be reproduced nor used for manufacturing purposes except on CORCOM's order or prior written consent.



TOLERANCE EXCEPT AS NOTED

DECIMAL: .XXX .XX .X ANGLES ± 1°  
 ENGLISH: ±.015  
 METRIC: ±

MATERIAL: AS SUPPLIED

FINISH: AS SUPPLIED



POWER LINE FILTER

SCALE	DATE	DRG. NO.	REV.
NTS	9-12-89	10EH4	3
DESIGN BY	ORIGINATOR	CHECKED	
TDL	CM		

\*RESISTOR ADDED TO PRODUCT BUILT AFTER 3-30-92 (9212).

# Mouser Electronics

Authorized Distributor

Click to View Pricing, Inventory, Delivery & Lifecycle Information:

[TE Connectivity:](#)

[10EH4](#)