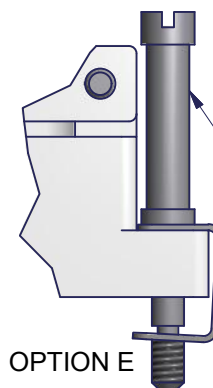
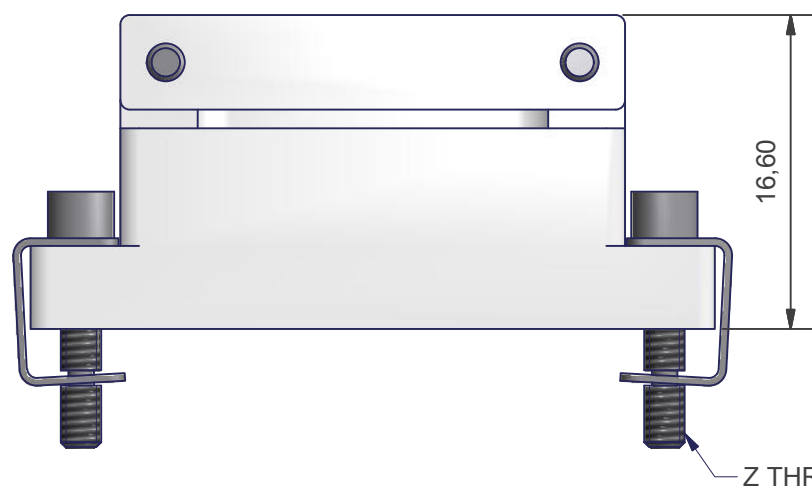


EXTENDED SLOTTED HEAD JACKSCREW

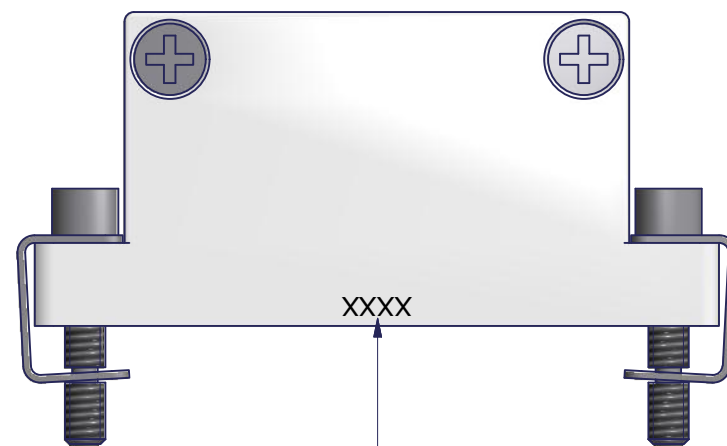
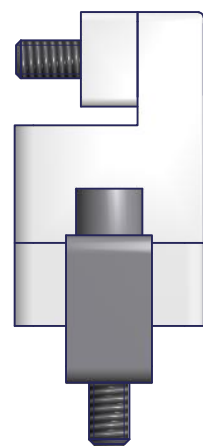


EXTENDED SLOTTED HEAD SCREW

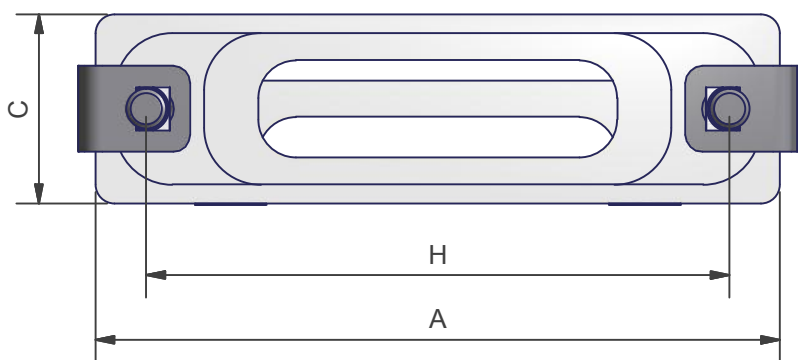
HARDWARE OPTION E



Z THREAD



LASER PART MARK AND BATCH NUMBER HERE



SHELL SIZE	A	C	H	K	Z THREAD
09	19,68	9,0	14,35	2,6	2-56 UNC - 2A
15	23,50	9,0	18,16	6,3	2-56 UNC - 2A
21	27,30	9,0	21,97	10,2	2-56 UNC - 2A
25	29,84	9,0	24,51	12,8	2-56 UNC - 2A
31	33,66	9,0	28,32	16,6	2-56 UNC - 2A
37	37,46	9,0	32,13	20,4	2-56 UNC - 2A
51	36,20	10,0	30,86	19,0	2-56 UNC - 2A
100	54,86	11,0	45,72	31,3	4-40 UNC - 2A

CODE	MATERIAL / PLATING
1-C	ALUMINIUM / ELECTROLESS NICKEL
1-B	ALUMINIUM / CADMIUM OLIVE DRAB OVER ELECTROLESS NICKEL
1-ZB	ALUMINIUM / ZINC COBALT OLIVE DRAB OVER ELECTROLESS NICKEL
1-ZN	ALUMINIUM / ZINC NICKEL BLACK PASSIVATE OVER ELECTROLESS NICKEL

LIST NOT EXHAUSTIVE, SEE PLATING TABLE FOR OTHER OPTUONS

MMCC-51-1-C-EK

POLAMCO SERIES
 SHELL SIZE (SEE TABLE 1)
 MATERIAL (SEE TABLE 2)
 PLATING (SEE TABLE 2)
 HARDWARE OPTION:
 E - EXTENDED SLOTTED-HEAD SCREW
 EK - EXTENDED JACKSCREW
 OMIT FOR SOCKET HEAD SCREW

DRAWN C.WALLACE SALES APPR J-LM DESIGN APPR PROD APPR QUAL APPR ISSUE 1 REV 1 DCR NCAGE CODE U5792 WEIGHT	DATE 20/05/2011 20/05/2011 3RD ANGLE PROJECTION NOT TO SCALE UNLESS OTHERWISE SPECIFIED ALL DIMENSIONS IN MILLIMETRES GENERAL TOL LINEAR +/-0,25MM ANGULAR +/- 1° MATERIAL SEE PART NUMBER BREAKDOWN FINISH SEE PART NUMBER BREAKDOWN	 POLAMCO LTD www.polamco.com WESTON LOCK LOWER BRISTOL ROAD BATH BA2 1EP ASSY USED ON: MIL-DTL-83513 TITLE: MICRO MIN CABLE CLAMP ADAPTOR PART NUMBER: MMCC SERIES	THIS DRAWING IS COPYRIGHT AND THE PROPERTY OF POLAMCO LTD IT MUST NOT BE COPIED, USED FOR MANUFACTURE OR OTHERWISE DISCLOSED WITHOUT PRIOR WRITTEN CONSENT OF THE COMPANY. DRAWING NO: P23036 SHT 1
--	--	---	--

Mouser Electronics

Authorized Distributor

Click to View Pricing, Inventory, Delivery & Lifecycle Information:

[TE Connectivity:](#)

[100P160-19-1-C-TC5-03](#) [100P160-19-46-J-WR4-19](#)