

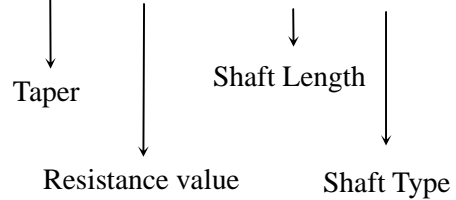


24mm Metal Shaft Rotary Potentiometer – With Switch

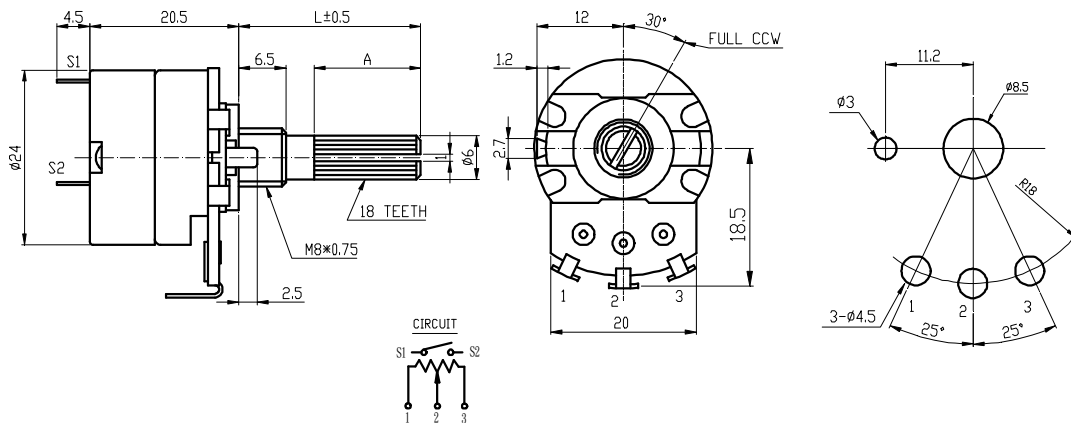


Part Number

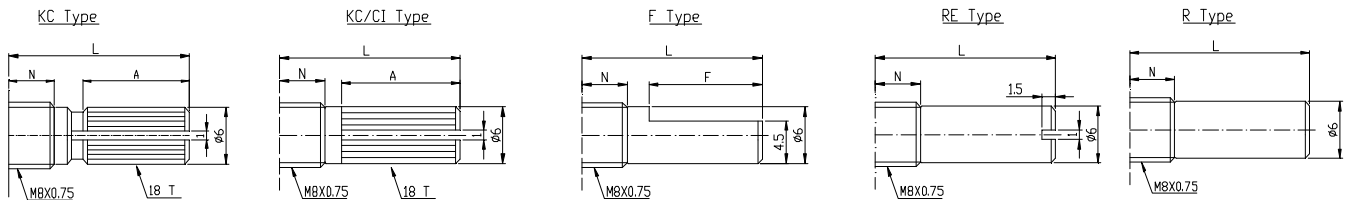
24S1 – B 10K, L- 20 KC



Dimensions



Shaft Type



		N=6.5mm							
Shaft Type	L	10	15	17	20	25	30	35	40
KC	A	2.2	6	8	10	12	12	12	12
	M	0.5	1	1	2	2	4	4	4
KC/CI	A	1.5	6.5	8.5	11.5	16.5	19		
F	F	2.5	7	7	12	12	12	12	12
R,RE	L	10	15	17	20	25	30	35	40

**24mm Metal Shaft Rotary Potentiometer – With Switch****General**

Operating temperature	-10 °C ~ +70 °C
Manual soldering	300 °C Max 3sec

Electrical Characteristics

Total resistance	1K Ω ~1M Ω
Resistance tolerance	$\pm 20\%$ (more than 1M Ω $\pm 30\%$)
Resistance taper	A B C D W
Sliding noise	Less than 47 mV
Residual resistance	$\leq 20 \Omega$ (R>10K) $\leq 10 \Omega$ (R \leq 10K)
Switch contact resistance	Less than 0.3 Ω
Insulation resistance	More than 100 M Ω at DC 250 V
Rated power(W)	Linear (B) taper : 0.5 W Other taper : 0.25W
Max. Operating voltage	Linear (B) taper : 500 V Other taper : 250 V
Switch rating power	AC 125 V 1A
Withstand voltage	1 Minute at DC 250V

Mechanical Characteristics

Total rotational angle	300 ° ± 10 ° (Switch angle 50° ± 5 °)
Rotational torque	30~200 gf.cm
Switch action	150~450gf.cm
Rotational stopper strength	5 Kgf.cm Min
Shaft push-pull strength	7 Kgf. Min.
Rotational life	15,000 Cycles (Switch life: 10,000 Cycles)