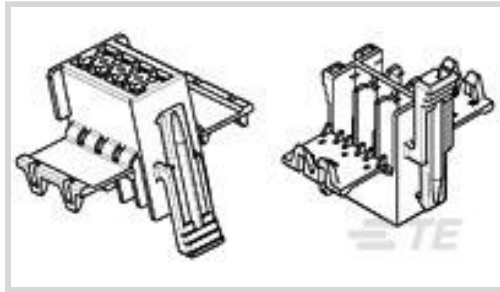




Connectors > Automotive, Truck, Bus, & Off-Road Connectors > Connector Housings > TIMER, CONNECTOR HOUSING



Connector Style: **Housing for female terminals**

Mating Tab Width: **3 mm [.118 in]**

Connector System: **Wire-to-Board**

Number of Positions: **6**

Centerline (Pitch): **5 mm [.197 in]**

[All TIMER, CONNECTOR HOUSING \(717\)](#)

Features

Product Type Features

Connector Style	Housing for female terminals
Connector System	Wire-to-Board
Sealable	No
Hybrid Connector	No
Primary Locking Feature	Integrated in Housing
Strain Relief	No
Row-to-Row Spacing	5.6 mm[.22 in]

Configuration Features

Number of Positions	6
Number of Rows	2

Body Features

Cable Exit Angle	180°
Body Material	PBT
Color	Black

Contact Features

Mating Tab Width	3 mm[.118 in]
------------------	---------------

Mechanical Attachment

Terminal Position Assurance	No
-----------------------------	----

Mounting Feature	Without
------------------	---------

Polarized	Yes
-----------	-----

Housing Features

Centerline (Pitch)	5 mm[.197 in]
--------------------	---------------

Dimensions

Height	29.5 mm[1.16 in]
--------	------------------

Length	23.5 mm[.925 in]
--------	------------------

Width	16 mm[.629 in]
-------	----------------

Operation/Application

Circuit Application	Signal
---------------------	--------

Packaging Features

Packaging Method	Carton
------------------	--------

Packaging Quantity	2000
--------------------	------

Other

Serviceable	No
-------------	----

Connector Position Assurance Capable	No
--------------------------------------	----

Product Compliance

[For compliance documentation, visit the product page on TE.com>](#)

EU RoHS Directive 2011/65/EU	Compliant
------------------------------	-----------

EU ELV Directive 2000/53/EC	Compliant
-----------------------------	-----------

China RoHS 2 Directive MIIT Order No 32, 2016	No Restricted Materials Above Threshold
---	---

EU REACH Regulation (EC) No. 1907/2006	Current ECHA Candidate List: JAN 2019 (197) Candidate List Declared Against: JAN 2019 (197)
--	--

Halogen Content	Not Low Halogen - contains Br or Cl > 900 ppm.
-----------------	--

Solder Process Capability	Not applicable for solder process capability
---------------------------	--

Product Compliance Disclaimer

This information is provided based on reasonable inquiry of our suppliers and represents our current actual knowledge based on the information they provided. This information is subject to change. The part numbers that TE has identified as EU RoHS compliant have a maximum concentration of 0.1% by weight in homogenous materials for lead, hexavalent chromium, mercury, PBB, PBDE, DBP, BBP, DEHP, DIBP, and 0.01% for cadmium, or qualify for an exemption to these limits as defined in the Annexes of Directive 2011/65/EU (RoHS2). Finished electrical and electronic equipment products will be CE marked as required by Directive 2011/65/EU. Components may not be CE marked. Additionally, the part

numbers that TE has identified as EU ELV compliant have a maximum concentration of 0.1% by weight in homogenous materials for lead, hexavalent chromium, and mercury, and 0.01% for cadmium, or qualify for an exemption to these limits as defined in the Annexes of Directive 2000/53/EC (ELV). Regarding the REACH Regulations, TE's information on SVHC in articles for this part number is still based on the European Chemical Agency (ECHA) 'Guidance on requirements for substances in articles' (Version: 2, April 2011), applying the 0.1% weight on weight concentration threshold at the finished product level. TE is aware of the European Court of Justice ruling of September 10th, 2015 also known as O5A (Once An Article Always An Article) stating that, in case of 'complex object', the threshold for a SVHC must be applied to both the product as a whole and simultaneously to each of the articles forming part of its composition. TE has evaluated this ruling based on the new ECHA "Guidance on requirements for substances in articles" (June 2017, version 4.0) and will be updating its statements accordingly.

Compatible Parts



Automotive, Truck, Bus, & Off-Road Headers(13)



Automotive, Truck, Bus, & Off-Road Housings(7)



Automotive, Truck, Bus, & Off-Road Terminals(6)

Also in the Series | Junior Power Timer



Automotive Connector Caps & Covers(8)



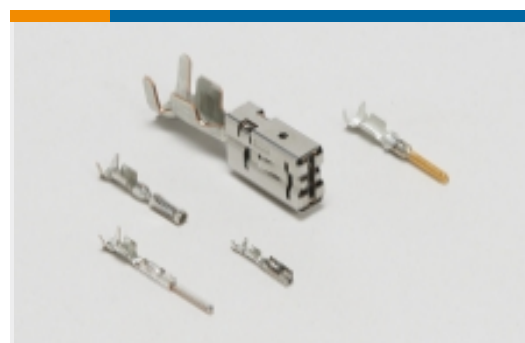
Automotive Seals & Cavity Plugs(11)



Automotive, Truck, Bus, & Off-Road Headers(5)



Automotive, Truck, Bus, & Off-Road Housings(287)



Automotive, Truck, Bus, & Off-Road Terminals(91)



Busbars & Terminals(1)

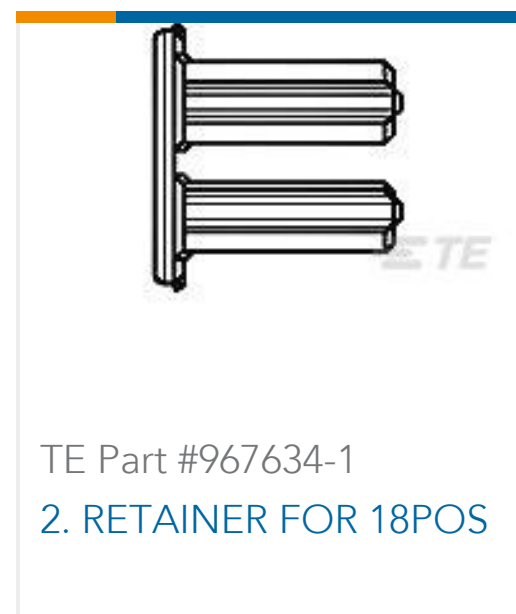
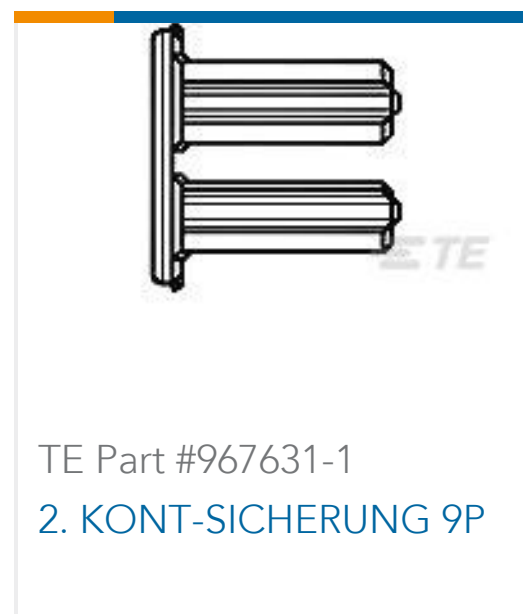
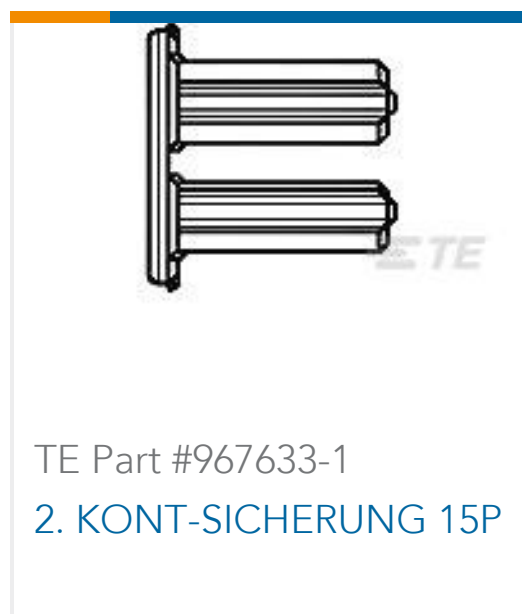


Module Component(9)



Other Automotive Connector Accessories(1)

Customers Also Bought



Documents

Product Drawings

[2X 3P JUN POW TIMGH](#)

English

CAD Files

Customer View Model

[ENG_CVM_CVM_929504-2_N.2d_dxf.zip](#)

English

[3D PDF](#)

3D

Customer View Model

[ENG_CVM_CVM_929504-2_N.3d_igs.zip](#)

English

Customer View Model

[ENG_CVM_CVM_929504-2_N.3d_stp.zip](#)

English

Datasheets & Catalog Pages

[Timer Interconnection System](#)

English