

5

4

3

2

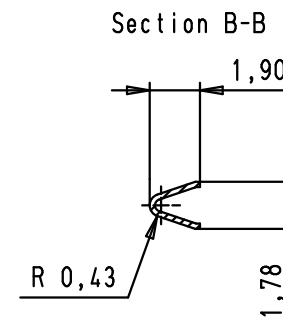
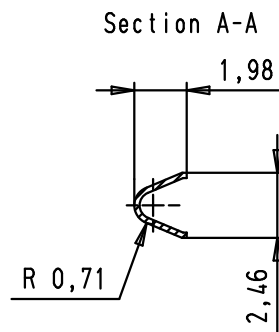
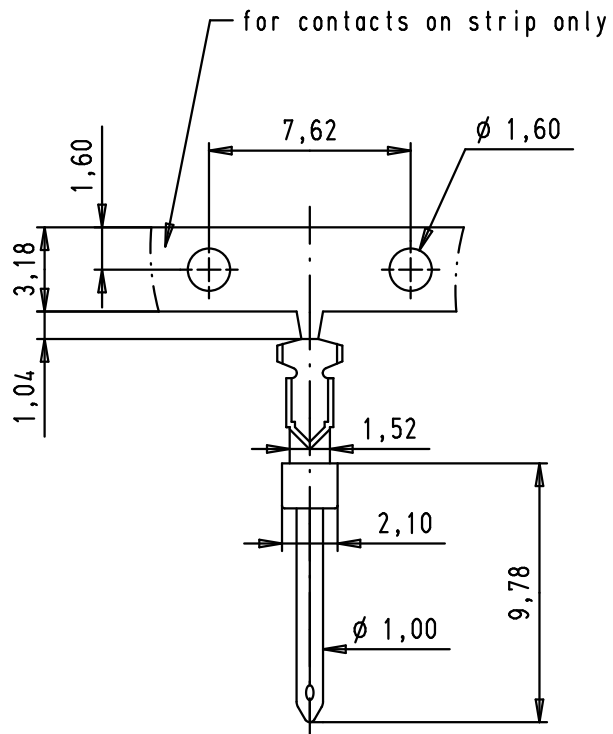
1

D

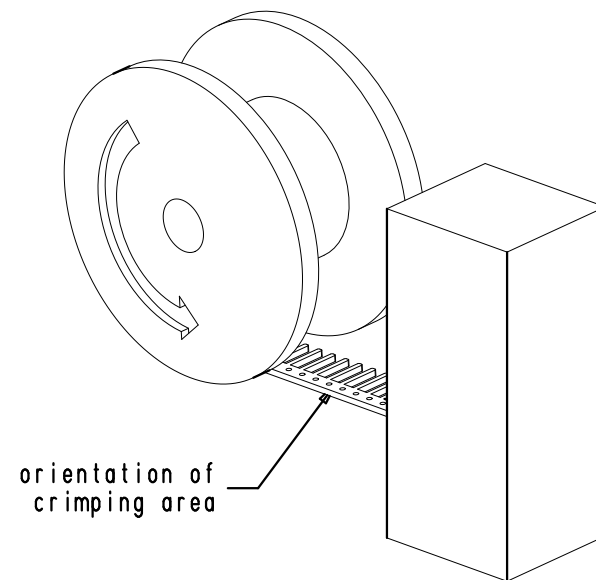
C

B

A



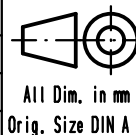
Reel unrolling left



Base material: brass  
 Plating: sliding contact selective gold plated over nickel  
 nickel plated crimp area  
 Number of contacts per reel: 10000

|                |                   |
|----------------|-------------------|
| 09 67 000 8158 | PL2               |
| 09 67 000 8157 | PL3               |
| 09 67 000 8156 | PL1               |
| Part number    | Performance level |

|       |          |      |                               |             |
|-------|----------|------|-------------------------------|-------------|
|       |          |      | Dot.                          | Name        |
|       |          |      | Detail.                       | 24/03/03 PP |
|       |          |      | Insp.                         |             |
| 33986 | 24/04/07 | PK   | Stand.                        |             |
| 33242 | 17/10/05 | JMDR |                               |             |
| 31475 | 24/03/03 | PP   |                               |             |
| Mod.  | Dot.     | Name | HARTING EURL<br>F-95972 Paris |             |



D-Sub, stamped male  
 AWG 20-24 crimp contact,  
 reel unrolling left

Maßstab/  
 Scale  
 3,5:1



TB 09 67 000 815X

Blatt/ Page  
 1 / 1

Sub.