



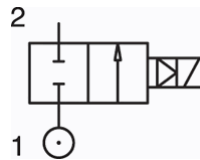
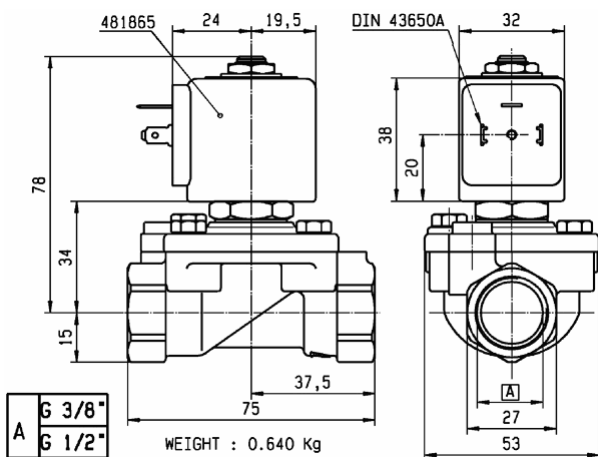
2/2 Normally Closed

Valves for dry or lubricated air, neutral gases and liquids

Order Code : 221G6336-2995-481865C2

Valve type	2/2 Normally Closed	Fluids	air oil
		Actuation type/Voltage	24 VDC
		Voltage tolerance	+/-10%
Port size	3/8"	Options	
Body Material	316L Stainless St.		SIL
Pressure min	0	Ambient T°min	-10
Pressure max		Ambient T°max	50
Orifice diameter	15	Kv	/ 65
T°fluid min	-10	ATEX zone	
T°fluid max	100	ATEX protection	
Power Max	9W	ATEX class	F 155°C
Sealing material	FKM	ATEX protection dust	
IP Level	IP65	ATEX protection gas	

2/2



Valves with model number ending in 30 or 31 are mainly equipped with electrical parts for explosion proof applications or with standard DC coils.

Valve only compatible with hydraulic oil and air/neutral gases