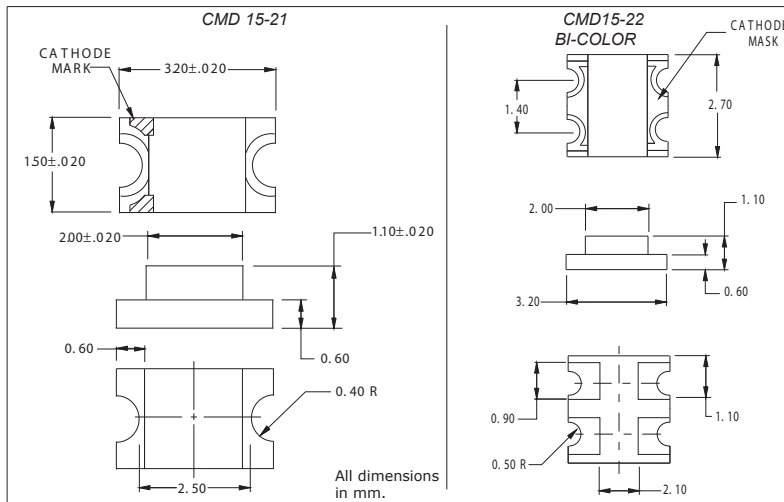


## CMD15-21 & 22 Series SMT LEDs 1206 Package Size

### Description and Features



#### Surface Mount Technology

- Tape and reel packaged for high-speed autoinsertion.
- Convection and vapor-phase reflow compatible.
- Compact form enables high density placement.
- Packaged 2000 pieces per reel.
- RoHS Compliant.

#### Leading Edge LED Optoelectronic Performance

- Consistent high brightness.
- Integral lensing for narrow angle light dispersion.

#### Exceptional Reliability

- Stringent process controls assure quality.
- Extensive qualification testing to meet strictest requirements.
- Designed to permit easy post-reflow solder joint inspection.

- Refer to "Solder Pad Geometry 3.pdf"

## Electro-Optical Characteristics

Part Number	Emitted Color	Lens Color	Luminous Intensity		Forward Voltage		Test Current (mA)	Peak Wavelength (nm)
			Min. (mcd)	Typ. (mcd)	Typ. (V)	Max. (V)		
CMD15-21SRC/TR8	Super Red	Clear	6.0	15.0	1.7	2.4	20	660
CMD15-21VRC/TR8	H.E. Red	Clear	3.6	6.0	2.0	2.8	20	640
CMD15-21VYC/TR8	Yellow	Clear	3.6	6.0	2.0	2.8	20	585
CMD15-21VGC/TR8	Green	Clear	6.0	10.0	2.1	2.8	20	570
CMD15-21UBC/TR8	Blue	Clear	19.0	45.0	4.9	5.5	20	430
CMD15-21UGC/TR8	Green	Clear	7.0	12.0	2.1	2.8	20	565
CMD15-21VRD/TR8	H.E. Red	Red Diffused	2.4	4.0	2.0	2.8	20	640
CMD15-21VGD/TR8	Clear	Green Diffused	5.5	6.5	2.1	2.8	20	570
CMD15-21VYD/TR8	Clear	Yellow Diffused	3.7	4.0	2.0	2.8	20	585
CMD1522VRVGCTR8	H.E. Red	Clear	3.6	20.0	2.8	2.8	20	640
	Green	Clear	6.0	10.0	2.1	2.8	20	570
CMD1522SRUGCTR8	Red	Clear	9.0	15.0	1.7	2.4	20	660
	Green	Clear	7.0	12.0	2.1	2.8	20	565

## Absolute Maximum Ratings

	Green	H.E.Red	Yellow	Red	Units
Power Dissipation.....	105	105	105	100	mW
Storage/Operating Temperature.....	-40 to +85	-40 to +85	-40 to +85	-40 to +85	°C
Peak Forward Current (1µs @ 10% duty cycle).....	150	150	150	150	mA
Reverse Voltage (IR=100µA).....	5.0	5.0	5.0	5.0	V
Lead Solder Time @ 260°C.....	5	5	5	5	Seconds
Average Forward Current.....	25	30	30	30	mA