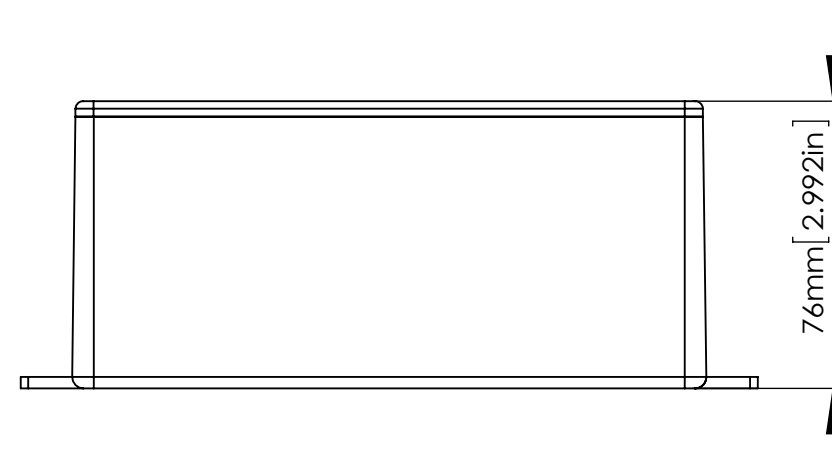
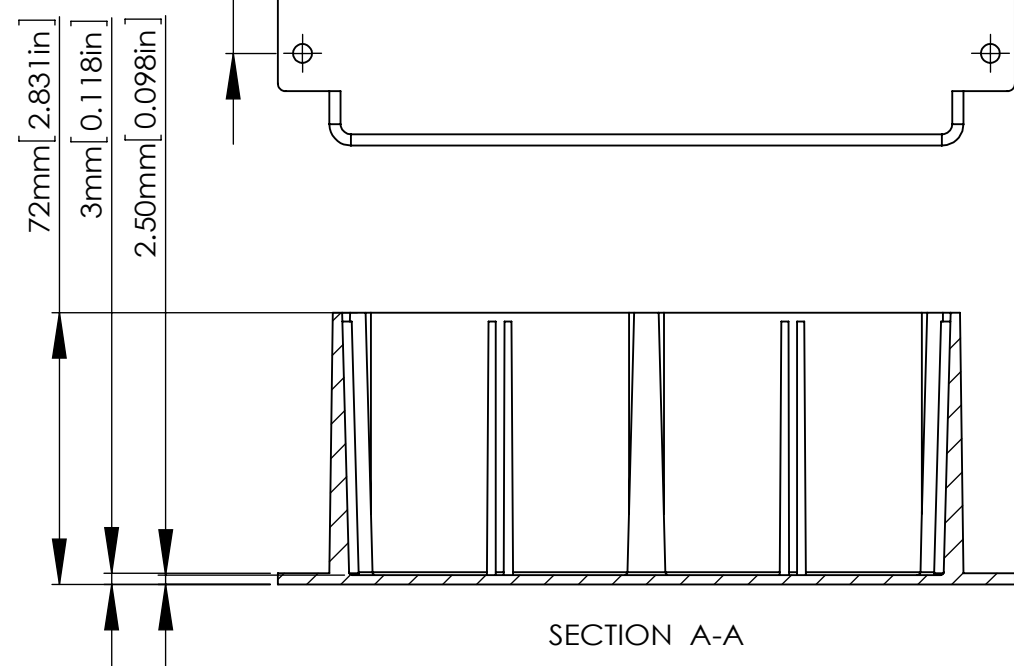
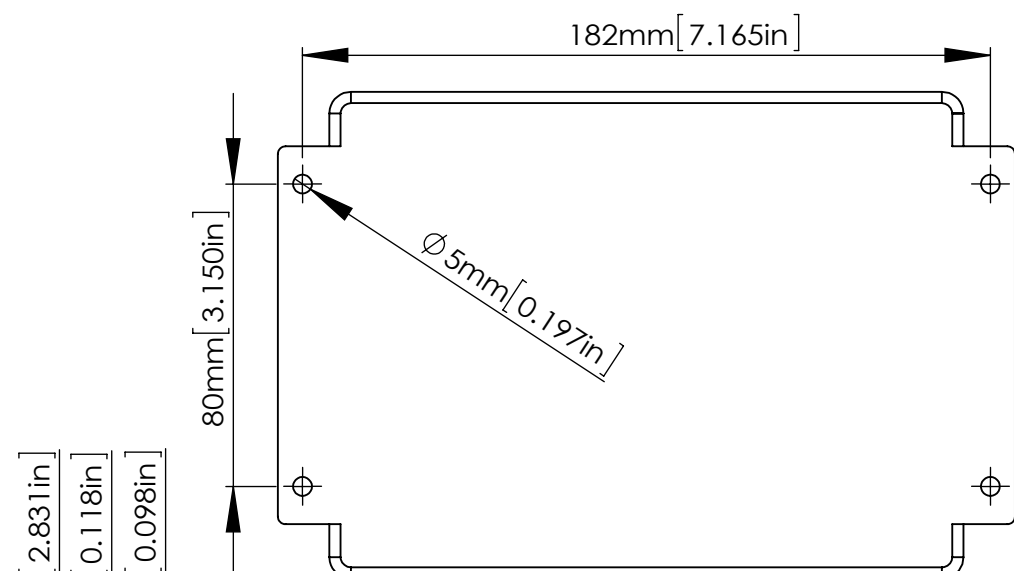
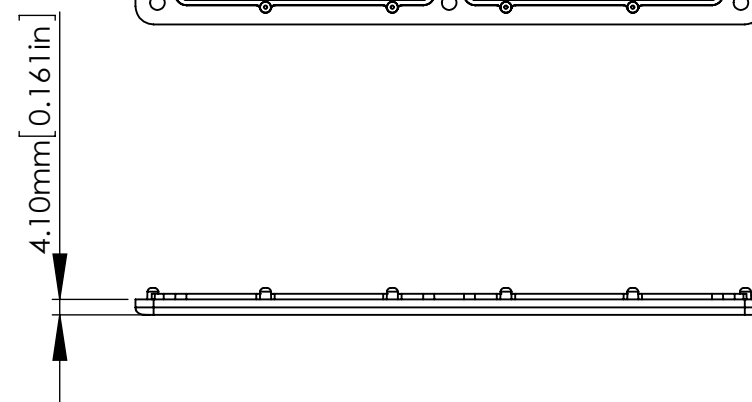


SIX(6)M3.5X9(12)mm
FLAT HEAD SCREWS.



| According to ISO 2768-m | |
|-------------------------|------------|
| Measuring DIM=L | Tolerances |
| 0.5<L<=3.0mm | ±0.1mm |
| 3.0<L<=6.0 mm | ±0.1mm |
| 6.0<L<=30.0 mm | ±0.2mm |
| 30.0<L<=120.0 mm | ±0.3mm |
| 120.0<L<=400.0 mm | ±0.5mm |
| 400.0<L<=1000.0 mm | ±0.8mm |

宣又實業有限公司
GAINTA INDUSTRIES LTD.

繪圖 DRA'D BY
JACKY

日期 DATE
2016/11/28

材質 MATE.
ALUMINIUM

圖名TITLE:
B033MF

圖號DWG NO:

版次REVISED:
A